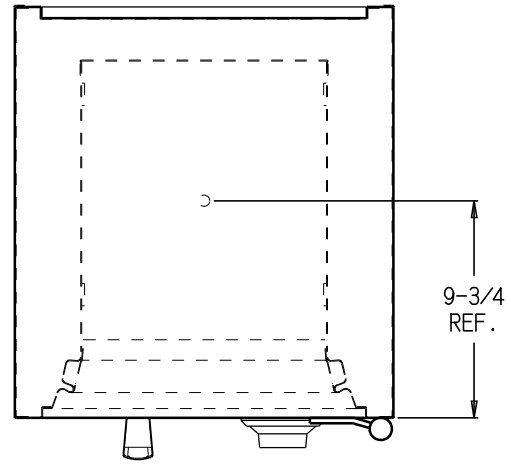


SK2013-350 F A

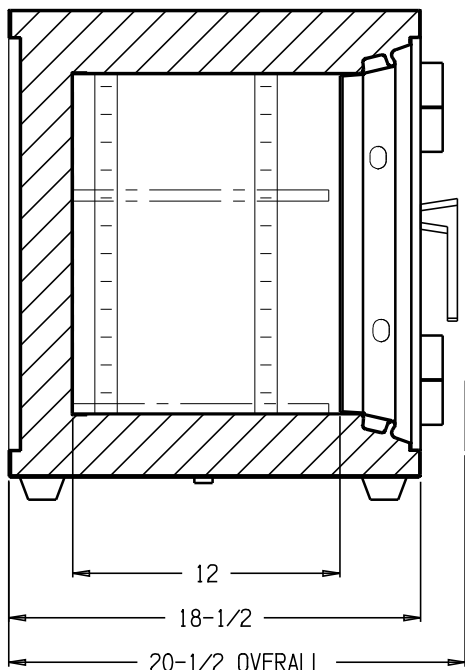
REVISIONS			
REV	DESCRIPTION	DATE	BY
A	UPDATED HINGES	17 SEP 14	R.F.T.

PLAN VIEW

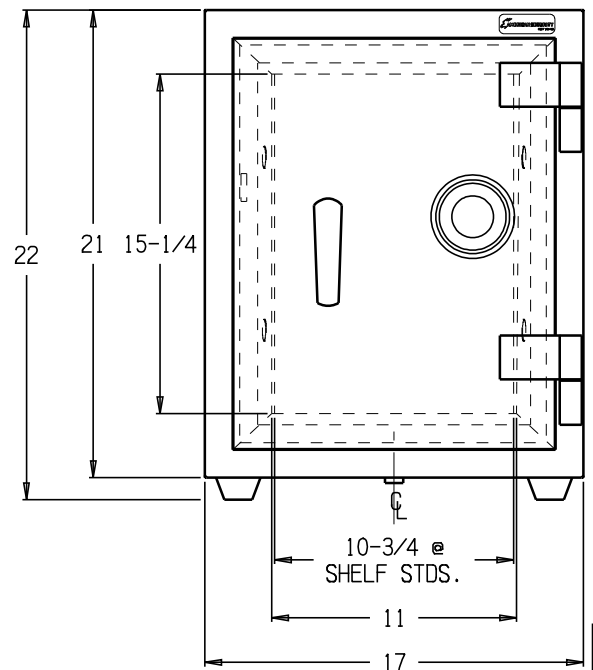


SPECIFICATIONS

1. Safe, 21 H (22 H With Feet) x 17 W x 18-1/2 D, Outside, UL Listed Class 350° - 2 Hr Fire Rating.
2. Chest, 15-1/4 H x 11 (10-3/4 @ Std) W x 12 D, Inside, with Plush Velour Shelves and Boltwork Cover, One (1) Adjustable Shelf, and One (1) Base Board that can be used as a Shelf.
3. Outer Door, Clear Opening: 15-1/4 H x 11 W, Equipped with a UL Listed Three-Wheel Key-Change Combination Lock, Relocking Devices, and Two (2) 7/8" Dia. Chrome-Plated (Active) Locking Bolts and Two (2) (Hinge Side) Dead Bolts. Lock Protected by a Drill-Resistant Hardplate.
4. Safe Provided with Anchor Hole with 1/2" Bolt.
5. Approx Weight: 246 lbs.



SECTION VIEW



FRONT VIEW

CUSTOMER SIGNATURE				
CUSTOMER NAME				
DATE		UL1511 UL Fire & Impact Safe		
COMPANY NAME				
<small>PROPRIETARY INFORMATION UNAUTHORIZED RELEASE WITHOUT EXPRESS WRITTEN PERMISSION OF AMERICAN SECURITY PRODUCTS CO EXPRESSLY PROHIBITED</small>	ML # UL1511	B Q #	SK2013-350	A
DRAWN R. Tucker	10 JUN 13	SCALE 1/6	DO NOT SCALE DWG	SHEET 1 OF 1