

User manual for IWATA Revolution HP-CR



Art.-No. 200 004 (R 4500)

Nozzle thickness: 0.5mm

**Our airbrush series are characterized by special properties. Some of the best and most famous artists in the world work with it. Artists trust IWATA because of the convincing product quality. To help you realize your ideas in the best possible way, IWATA produces the most innovative paint spray guns of the highest quality - developed and tested by artists for artists. All IWATA products are designed and developed without compromise to the highest standards
Each series offers specific advantages for different applications, and all are solvent-resistant.**

The IWATA Revolution HP-AR is a so-called double-action paint sprayer. You can regulate the amount of air by pushing the lever down and the amount of paint by pulling it backwards. A variety of effects can be achieved by any combination of these functions. In principle, however, you should use "air" (ie Start pressing the lever down) and also stop with "air".

Air connection and paint

Connect the device to a suitable source of compressed air using a hose. A variety of combinations are possible, please ask your specialist dealer. The air pressure should be between 1.0 and 2.5 bar. Depending on the nozzle strength, all common airbrush paints are suitable; the paint may need to be diluted accordingly. Please spray the gun briefly with the appropriate cleaning agent before using it for the first time.

Cleaning the device

Squirt out the remaining paint. Use a solvent or solvent suitable for the color. Spray out the cleaning agent vigorously (observe the safety instructions for the cleaning agent)! We recommend removing the needle before longer breaks from work.

Removal of needle and head

- a) Clean the device from paint**
- b) Disconnect the device from the air source**
- c) Unscrew the handle (13).**
- d) Loosen the needle locking screw (12).**
- e) Pull out needle (11).**
- f) only remove the head (needle cap(1), nozzle cap(2)) when the needle is removed**

Check and remove for cleaning. If necessary, unscrew the nozzle (4) using the included key.

Installation of needle and head

- a) If necessary. Attach the nozzle with the included key. Then screw on the head (nozzle cap, needle cap).**
- b) Carefully insert the needle while keeping the finger lever pressed**
- c) Tighten the needle locking screw**
- d) Screw on the handle**

Care instructions:

Always keep the spray gun clean and, if possible, remove paint before it dries. Dried paint on the nozzle, spray head and needle as well as the lever mechanism is best dissolved with a solvent suitable for the paint and removed using a brush or Q-tip. Never place the entire apparatus in solvent. Occasionally apply a little thin oil or, for example, "Super Lube" to the lever mechanism and to the needle in the lever area. Keep the needle tip and nozzle free of oil and grease as this can affect the spray pattern. Check the needle tip regularly. Bent needle tips not only cause a poor spray pattern, but can also damage the nozzle. Be careful when handling the nozzle as it is a sensitive precision mechanical part despite being made from the best materials.

Problems and remedies:

Grainy spray pattern/spitting: First check whether the needle is bent or the nozzle is damaged. If the paint is too thick, dilute it with the appropriate medium. The air pressure or air volume of your air source may also be too low.

Splashes or blobs may also be caused if the finger lever is suddenly released and the needle snaps forward. Always let the finger lever slide forward very slowly.

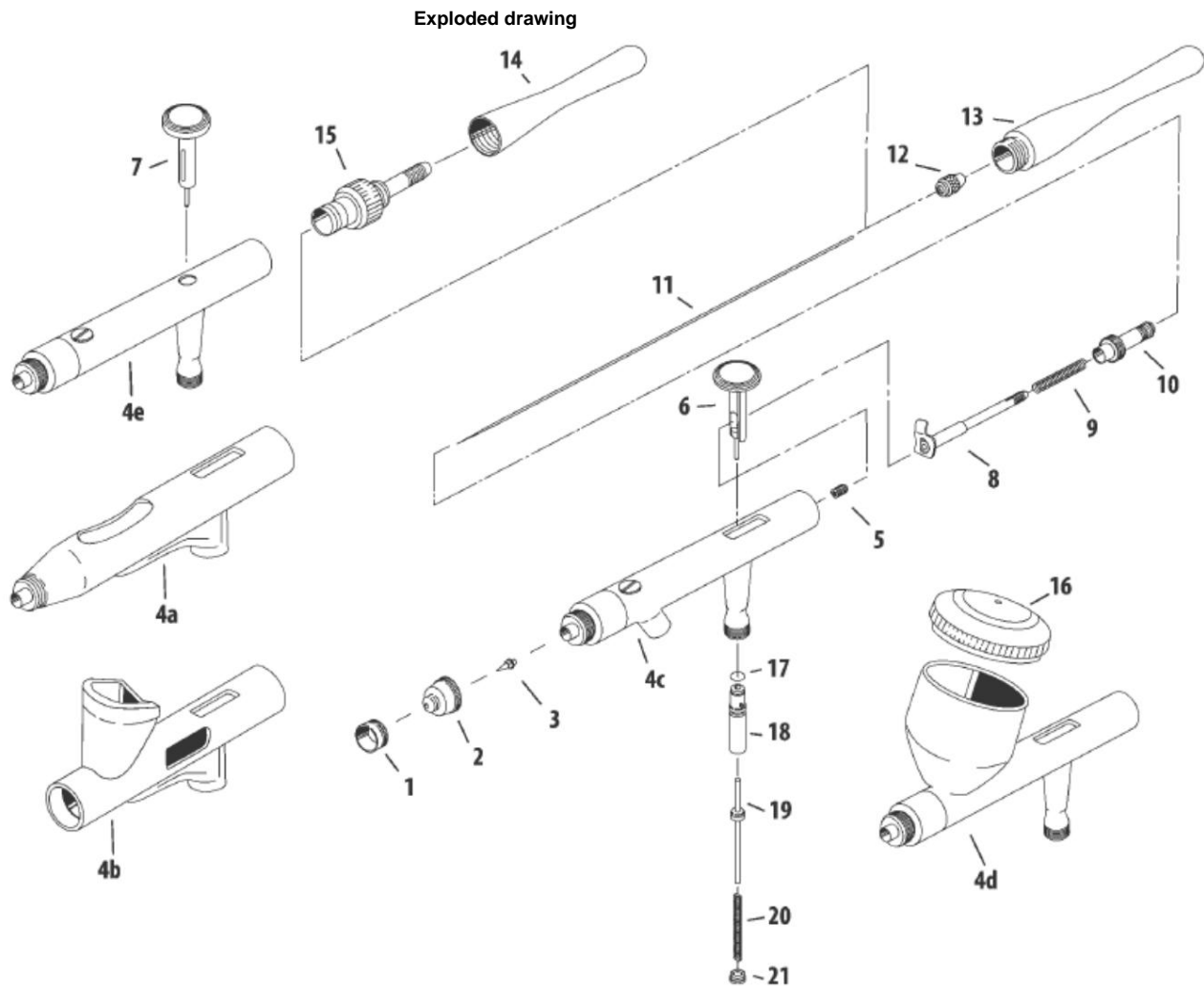
Also check the needle and nozzle and/or nozzle head for contamination from any dried paint.

Bubbles forming in the ink tank or pulsating: The needle or nozzle cap may be turned out too far, the head or nozzle may be loose, or the needle seal screw may be missing or defective.

Safety instructions:

Be careful when handling the needle. Since it is very sharp, it can easily cause injuries. Follow the safety instructions from the paint and cleaning agent manufacturers.

- Disconnect the device from the compressed air before dismantling anything**
- Do not leave children unattended with the device, it is not a toy!**



Item No. Iwata No. (all)	Description	Model	Ref.			
200101 701 1 98535390	needle cap 0.5 mm	200100 701 2 98530590	HP-CR/BCR/SAR	1		
200103 702 1 98530400	nozzle cap 0.5 mm	200102	HP-AR/BR	1		
702 2 98531590	nozzle cap 0.3 0 mm	200105 704 1 98531400	HP-CR/BCR/SAR	2		
200104 704 2 98532590	nozzle set 0.3 mm	Gun Body 200116 125 7 98535400	HP-AR/BR	2		
	Needle Seal Set (Ptfе)		HP-CR/BCR/SAR	3		
			HP-AR/BR	3		
			All Models	4		
			HP-CR/BCR/SAR	5		
200115 725 1 98532430	Needle seal set (Ptfе)		HP-AR/BR	5		
200125 612 1 8016590	Finger lever	200127 612 2 98533450	HP-AR/BR/CR/BCR	6		
	Finger lever	200128 115 7 98533430	HP-SAR	7		
	Needle guide W/					
	Auxiliary Lever	HP-AR/BR/SAR	200129 115 1 98530410	Needle guide W/Auxiliary Lever	8	
	HP-CR/BCR	200132 135				
1 8534370	needle Spring	195893 770 1 98531410	Spring guide changed	200137 617 1 8014590	Needle set	8
0.5 mm	195954 717 3 200140 120 1 8531080	Needle locking			HP-AR/BR/CR/BCR	9
					HP-AR/BR/CR/BCR	10
	screw	200142 719 1 98533410	Ergo nomic handle	200141 719 2 98532450		11
	paint quantity regulation screw	HP-SAR			HP-CR/BCR/SAR	11
					HP-AR/BR all	11
					Models	12
					HP-AR/BR/CR/BCR	13
						14

195921 I 155 2	Handpiece with	13
200196 I 155 6 End piece, handle	Paint quantity limitation screwHP-AR/BR/CR/BCR	13
200143 I 718 1 8535380 Lid for cup	HP-AR/BR/CR/BCR	15
200118 I 580 1 8535190 O ring	HP-SAR	16
200119 I 608 1 8014600 Air	HP-CR	17
200122 I 6 09 1 8015600 air	all models	18
200123 I 035 1 8534210 air Valve spring	all models	19
200124 I 611 1 8016600 Air valve guide screw	all models	20
200148 I 765 1 8530060 Tool	all models	21
200665 I 470 1P VIM4701PPlastic Bottle (Clear) 1oz.	HP BCR	
200770 conversion set 0.5mm to 0.3mm	200771 conversion set 0.3mm to 0.5mm	

Import and distribution by:

CREATEX Handels-GmbH

Kirchhoffstraße 7

D-24568 Kaltenkirchen

: 04191/882 77

Fax: 04191/859 12

<http://www.createx.de>

email: info@createx.de

You can find our complete delivery program at <http://www.createx.de>

We only supply specialist retailers.