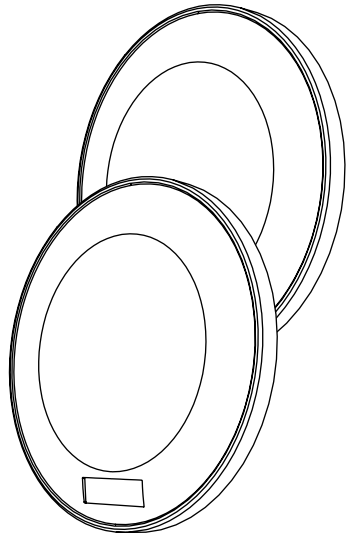
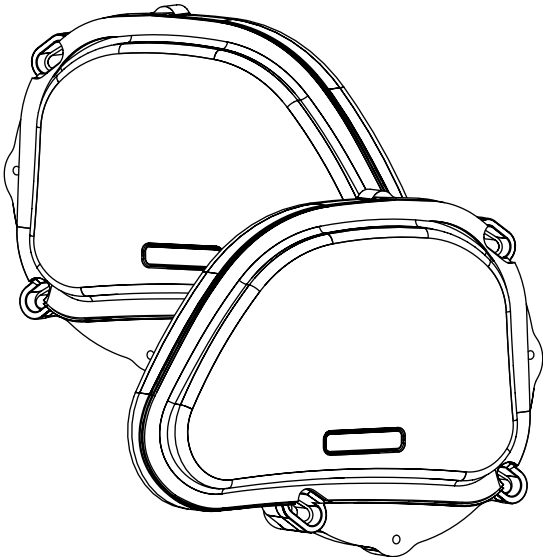
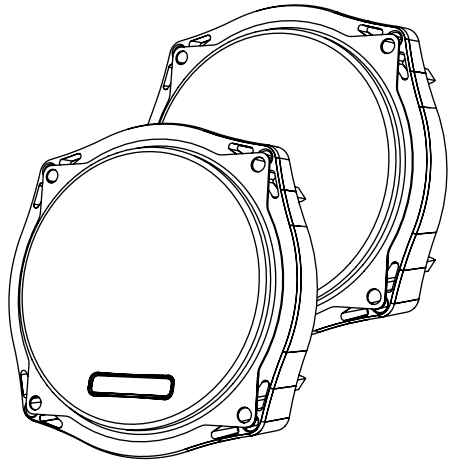
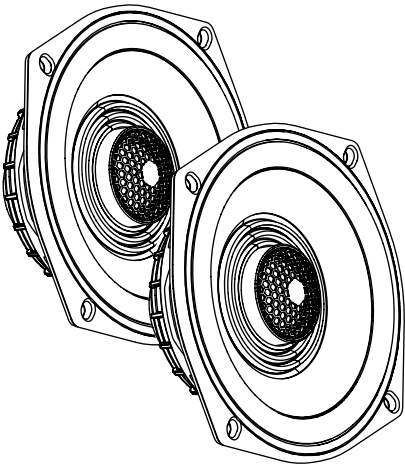




PrecisionPower®

Absolutely State of the Art Mobile Audio™

**5.25" SPEAKERS FOR '98-'13 HARLEY
DAVIDSON® TOURING SERIES MOTORCYCLES**



FAIRING REMOVAL, STREET GLIDE & ULTRA

1. Remove three screws attaching the windshield & outer fairing to the inner fairing using a T27 Torx screw driver. Remove the windshield & set aside. Reinstall the center screw by hand to hold the outer fairing in place. Set remaining screws aside for installation later.



2. Remove four fairing screws holding the outer fairing to the inner fairing using a T27 Torx screw driver. Two screws are located under the fairing adjacent to the forks, two others are adjacent to each speaker. Set screws aside for installation later.



3. While straddling the front wheel fender, grasp the outer fairing. Remove the center windshield screw. Gently pull the fairing apart from the bike. With the fairing slightly pulled away from the bike, disconnect wire harness for the headlight or any other accessories. Lay the fairing on a protected flat surface to prevent damage.

SPEAKER INSTALLATION, STREET GLIDE & ULTRA

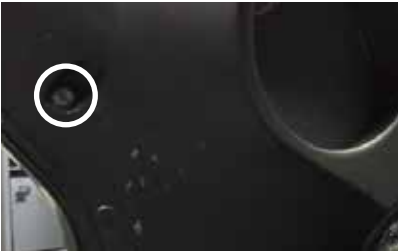
1. Disconnect the speaker wire from each speaker terminal.
2. Remove three screws attaching the speaker to the fairing using a T25 Torx screw driver.
3. Remove the fairing support bracket screw on each side using a 3/16 hex screw driver. Set the fairing support brackets & screws aside for installation later.
4. Snap a metal PrecisionPower Street Glide grill to each new speaker, verifying the four screw holes align.
5. Set a speaker against the fairing, aligning the four screw holes.
6. Reinstall the fairing support brackets to the fairing and speaker with the screws removed in step 2 and a 3/16 hex screw driver.
7. Secure the new speaker to the inner fairing with the three speaker screws removed in step 1 using a T25 Torx screw driver.
8. Connect the speaker wires to the corresponding terminals of the new speaker.

FAIRING INSTALLATION, STREET GLIDE & ULTRA

1. While holding the outer fairing, straddle the front wheel fender. Gently align the outer fairing to the inner fairing, paying attention to any cables that need to be tucked away inside. Reconnect the wire harness for the headlamp or any other accessories previously disconnected.

2. Loosely secure the outer fairing to the inner fairing by hand tightening the center windshield screw removed previously.

3. Reinstall the four fairing screws to attach the outer fairing to the inner fairing using the screw removed previously & a T27 Torx screw driver. Two screws are located under the fairing adjacent to the forks, two others are adjacent to each speaker.



4. Reinstall the windshield & outer fairing to the inner fairing with the three screws removed previously using a T27 Torx screw driver.



FAIRING REMOVAL, ROAD GLIDE

1. Detach each turn signal / indicator light by removing two bolts located between the fairing and forks using a 1/2" wrench. Store the bolts in a safe place for re-installation later.



2. Remove six fairing screws holding the outer fairing to the inner fairing using a T25 Torx screw driver. Two screws are located below each glove box, two are adjacent & below each speaker, two others are adjacent & above each speaker. Set screws aside for installation later.



3. While straddling the front wheel fender, grasp the outer fairing. Gently pull the fairing apart from the bike. With the fairing slightly pulled away, disconnect wire harness for the headlight or any other accessories. Lay the fairing on a protected flat surface to prevent damage.

SPEAKER INSTALLATION, ROAD GLIDE

1. Disconnect the speaker wire from each speaker terminal.
2. Remove three screws holding each speaker & grill assembly to the inner fairing using a T25 Torx screw driver. Set the screws aside for installation later.
3. Remove four speaker mounting screws from the grill assembly using a T25 Torx screw driver. Set the screws aside for installation later.
3. Place a metal PrecisionPower Road Glide grill over each new speaker, verifying the four screw holes align.
4. Secure the speaker to the grill with the four speaker mounting screws removed in step 3 using a T25 Torx screw driver.
5. Hold the new speaker & grill assembly to the inner fairing, aligning the three screw holes.
6. Attach the new speaker & grill assembly to the inner fairing with the three screws removed in step 2 using a T25 Torx screw driver.
7. Connect the speaker wires to the corresponding terminals of the new speaker.

FAIRING INSTALLATION, ROAD GLIDE

1. While holding the outer fairing, straddle the front wheel fender. Gently align the outer fairing to the inner fairing, paying attention to any cables that need to be tucked away inside. Reconnect the wire harness for the headlamp or any other accessories previously disconnected.

2. Reinstall the six fairing screws that holding the outer fairing to the inner fairing using a T25 Torx screw driver. Two screws are located below each glove box, two are adjacent & below each speaker, two others are adjacent & above each speaker.



3. Reattach each turn signal / indicator light by installing the two previously removed bolts, located between the fairing and forks using a 1/2" wrench.

