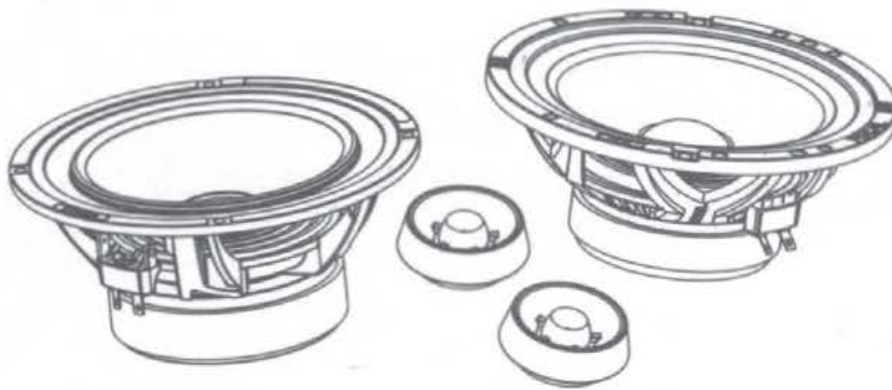


# FOCAL® *INSIDE*

## HARLEY-DAVIDSON

HDA 165 - 98/2013 | HDA 165 - 2014 UP  
HDK 165 - 98/2013 | HDK 165 - 2014 UP

Manuel d'utilisation / User Manual / Gebrauchsanleitung /  
Manuale d'uso / Manual de uso / Manual de utilização /  
Handleiding / Руководство по эксплуатации /  
使用手册 / 사용 설명서 / 取扱説明書 / دليل المستخدم



Français : page 6  
English : page 10  
Deutsch : Seite 14  
Italiano : pagina 18  
Español : página 22  
Português : página 26  
Nederlands : pagina 30

Polska : strona 34  
Русский : стр. 38  
中文 : 第42页  
한국어 : 46 페이지  
日本語 : ページ 51  
العربية : 55 الصفحة

 **FOCAL**®  
LISTEN BEYOND

**Vérifiez en ligne  
les compatibilités et les consignes  
d'installation mises à jour.**

**Check Online Updated  
Compatibility list  
and installation manual.**

**[www.focal-inside.com](http://www.focal-inside.com)**



**Pour installer  
votre produit Focal Inside,  
veuillez-vous référer aux vidéos  
d'installation et de montage  
disponibles en ligne.**

**To set up your Focal Inside  
product, please watch online  
the installation video.**

**[www.focal-inside.com/videos](http://www.focal-inside.com/videos)**



## FOCAL INSIDE HARLEY-DAVIDSON

### Specifications



5

	<b>HDA 165 - 98/2013</b>	<b>HDK 165 - 98/2013</b>
Kit type	2-way component	2-way component
Woofer	6 <sup>1</sup> / <sub>2</sub> "	6 <sup>1</sup> / <sub>2</sub> "
Depth	2 <sup>1</sup> / <sub>2</sub> "	2 <sup>15</sup> / <sub>16</sub> "
Cone	DFS®	Aramid fibers
Impedance	4Ω	2Ω
Max. power	160W	250W
Nom. power	80W RMS	125W RMS
Sensitivity (2.83V/3 feet - 3.2ft/1m)	91dB	92.5dB
Frequency response	70Hz - 22kHz	60Hz - 21kHz
Tweeter	Inverted dome Aluminium tweeter	«M» aramid fibers inverted dome tweeter

	<b>HDA 165 - 2014 UP</b>	<b>HDK 165 - 2014 UP</b>
Kit type	2-way component	2-way component
Woofer	6 <sup>1</sup> / <sub>2</sub> "	6 <sup>1</sup> / <sub>2</sub> "
Depth	2 <sup>1</sup> / <sub>2</sub> "	2 <sup>15</sup> / <sub>16</sub> "
Cone	DFS®	Aramid fibers
Impedance	4Ω	2Ω
Max. power	160W	250W
Nom. power	80W RMS	125W RMS
Sensitivity (2.83 V/3 feet - 3.2 ft/1m)	91dB	92.5dB
Frequency response	70Hz - 22kHz	60Hz - 21kHz
Tweeter	Inverted dome Aluminium tweeter	«M» aramid fibers inverted dome tweeter



**READ FIRST!**  
**IMPORTANT SAFETY INSTRUCTIONS!**

	<p>The exclamation mark represented in an equilateral triangle is intended to alert users to the existence of important instructions in the user manual relating to the use and maintenance of the device.</p>	
<p>1. Read these instructions. 2. Keep these instructions. 3. Heed all the warnings. 4. Follow all the instructions. 5. To avoid damaging your hearing, do not listen to loudspeakers at high volumes for long periods of time. Listening to loudspeakers at high volumes can cause damage to the user's ears and may lead to hearing problems (temporary or permanent deafness, buzzing in the ears, tinnitus, hyperacusis). Exposure to excessive volumes (over 85 dB) for more than one hour can cause irreparable damage to your hearing.</p>	<p>6. If a subwoofer is installed in your vehicle, it is important to secure it firmly. We recommend that you attach the enclosure to the floor or chassis of the vehicle for safety. If the subwoofer is not properly secured, it could become a projectile in the event of an accident. This point is even more important if the subwoofer is installed in a hatchback, a station wagon, a utility vehicle or a van.</p>  <p>(CEI 60417-6044)</p>	<p>7. If cables or harnesses are provided, use them the proper way (like mentioned in this user manual) without replacing or modifying them. 8. If a fuse is included in the kit or harness, use only same rating one in case of replacement.</p>

Please validate your Focal-JMlab warranty,  
it is now possible to register  
your product online:  
[www.focal.com/warranty](http://www.focal.com/warranty)



Thank you for choosing HDA 165 - 98/2013, HDA 165 - 2014 UP, HDK 165 - 98/2013 & HDK 165 - 2014 UP and for sharing our passion for sound and for music, revealed with precision and purity: "Listen Beyond". Designed using acoustic technologies, these speakers integrate Focal's perfectionist believes, developing products with high power handling, and unrivalled sound quality. To obtain the best results from this product, we recommend that you follow carefully all the information contained in this user's manual. If not correctly followed, any fault observed may not be covered by the warranty.

## Conditions of warranty

All Focal loudspeakers are covered by warranty drawn up by the official Focal distributor in your country. Your distributor can provide all details concerning the conditions of warranty. Warranty cover extends at least to that granted by the legal warranty in force in the country where the original purchase invoice was issued.

Our policy of continual product improvement means that Focal-JMlab reserves the right to modify the technical specifications of its products without notice. Product may vary from images.

### USAGE RECOMMENDATIONS FOR FOCAL KITS FOR HARLEY-DAVIDSON

#### Weather conditions

The HDA 165 - 98/2013, HDA 165 - 2014 UP, HDK 165 - 98/2013 & HDK 165 - 2014 UP kits are only intended for use on motorcycles. These kits have been developed to withstand weather conditions associated with the motorbike's normal use. However, the warranty will not cover any damage caused by use in extreme temperatures or humidity. For example, we strongly advise against leaving your Focal system exposed to sunlight and very high temperatures for a prolonged period or at very high humidity levels such as during a jet wash or heavy rain. We recommend that you protect your speaker drivers as far as possible in order to prevent any irreversible damage.



#### Amplification

Most Harley-Davidson motorbikes already fitted with an audio system use a preset tuning that corrects the sound signal to achieve a better result with the original speaker drivers. It is essential that you remove this correction before any Focal system is installed, by flashing/resetting the motorcycle radio; you are to arrange for this operation to be performed, and if it is not correctly carried out it could cause irreversible damage to your speaker drivers. You will find more information on this subject online or from your installer.

#### Tweeter and grille assembly

The tweeter/grille assembly is designed to withstand vibrations. Once the tweeters and grilles are assembled, they cannot be separated. Please take care during installation or disassembly.

### **Spacer**

For performance and sound rendering reasons, the Focal kits for Harley-Davidson use 6.5" woofers, unlike the original 5" speaker drivers. This is why installing Focal kits requires the use of the appropriate spacers for your motorbike. You can easily purchase these spacers from your local dealer or online. It is essential that this spacer is firmly secured to the motorbike and that the speaker driver is also correctly secured to the spacer, to avoid any vibration between the two components.

### **Cabling**

Depending on which spacer is used, it may be necessary to make a hole or a notch in the latter to allow the tweeter cabling to pass through without it being squashed when fastened in place. We recommend using glue and/or insulating foam around the cables to prevent any interference vibration.



**Élimination correcte de ce produit.**

Ce marquage indique que ce produit ne doit pas être éliminé avec les autres déchets ménagers au sein de l'UE. Par mesure de prévention pour l'environnement et pour la santé humaine, veuillez le recycler de manière responsable, pour favoriser la réutilisation des ressources matérielles. Pour retourner votre appareil usé, veuillez utiliser les systèmes de retour et de collecte ou contactez le détaillant chez lequel le produit a été acheté. Celui-ci pourra procéder au recyclage du produit en toute sécurité.

**Correct elimination of this product.**

This marking indicates that within the EU this product should not be disposed of with other household wastes. To prevent any risk to the environment or human health, please recycle them responsibly to encourage the reuse of material resources. To return your used device, please use the return and collection systems available, or contact the retailer where you purchased the product. They can recycle this product safely.

**Ordnungsgemäße Entsorgung des Produkts.**

Diese Kennzeichnung weist darauf hin, dass dieses Produkt innerhalb der EU nicht mit anderen Haushaltsabfällen entsorgt werden darf. Als Präventivmaßnahme für die Umwelt und die menschliche Gesundheit muss auf eine verantwortungsbewusste Wiederverwertung zur Förderung der Wiederverwendung von materiellen Ressourcen geachtet werden. Für die Rückgabe von Gebrauchtgeräten verwenden Sie bitte zur Verfügung stehende Rückgabe- und Recyclingsysteme oder wenden Sie sich an den Händler, bei dem Sie das Produkt erworben haben. Letzterer kann das Gerät sicher dem Wertstoffkreislauf zuführen.

**Eliminación correcta de este producto.**

Este símbolo indica que este producto no debe eliminarse con el resto de residuos domésticos dentro de la UE. Con el objetivo de proteger el medioambiente y la salud pública, recicle de forma responsable para favorecer la reutilización de los recursos materiales. Para devolver su aparato usado, utilice los sistemas de devolución y recogida o póngase en contacto con el vendedor del producto. Este podrá proceder al reciclaje del producto de forma totalmente segura.

**Corretto smaltimento di questo prodotto.**

Questa marcatura indica che, nell'UE, questo prodotto non deve essere smaltito insieme agli altri rifiuti domestici. A titolo preventivo per l'ambiente e la salute, deve essere riciclato in modo responsabile per favorire il riutilizzo delle risorse materiali. Per mandare indietro l'apparecchio usato, si prega di utilizzare il sistema di reso e raccolta o di contattare il rivenditore da cui è stato acquistato il prodotto, il quale potrà procedere a riciclare il prodotto in totale sicurezza.



CE

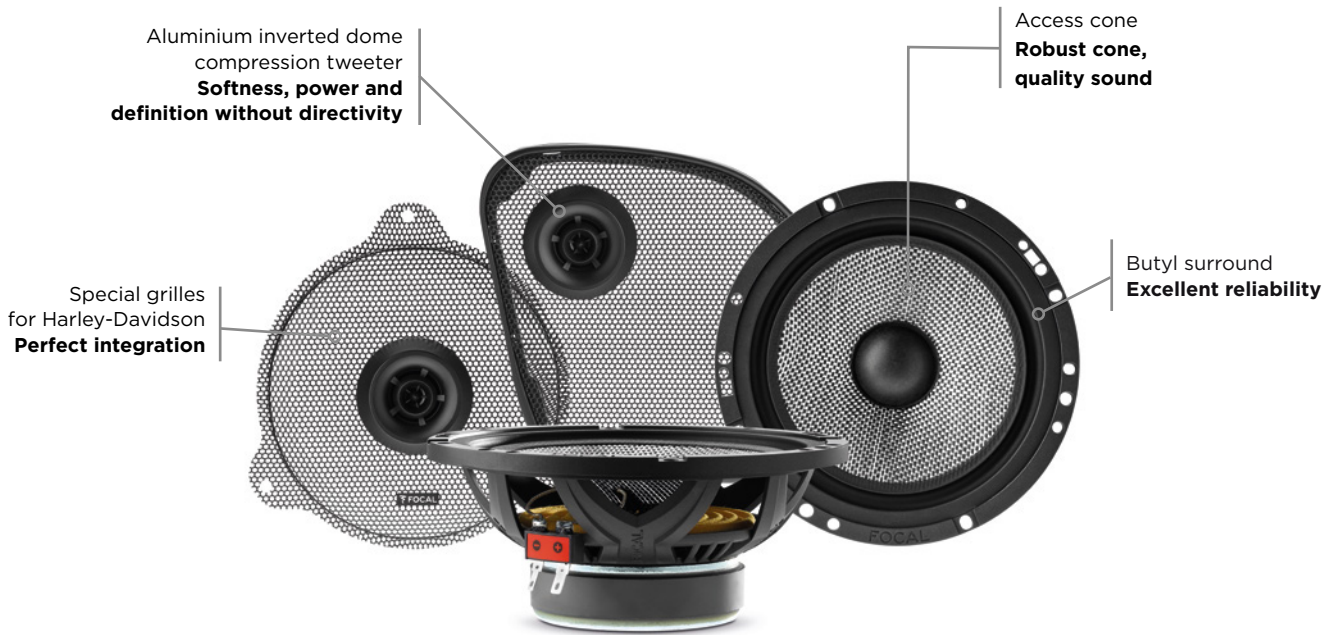


Focal-JMlab® - BP 374 - 108, rue de l'Avenir -  
42353 La Talaudière cedex - France - [www.focal.com](http://www.focal.com)  
Tel. (+33) 04 77 43 57 00 - Fax (+33) 04 77 43 57 04 -  
SCPP - 2019/07/22 - V1 - CODO1590

# HDA 165 - 2014 UP

## Product Data Sheet

Equipped with the Access cone, the Harley-Davidson dedicated speaker drivers of the HDA 165 - 2014 UP deliver a quality sound. This Focal Inside solution has been designed and developed for motorcycles operating in a noisy environment. It integrates an Aluminium inverted dome compression tweeter for high power and sound definition without directivity. Custom Harley-Davidson special grilles are also added for perfect integration in the original location.



### Key Points

- Simplified installation
- 100% compatible with your motorcycle
- Sound quality superior compared to the original one
- Mounting accessories included

Check your moto compatibility at [www.focal-inside.com](http://www.focal-inside.com)



[Street Glide®, Road Glide®, Electra Glide® and Batwing accessories]

Type	2-way component kit
Woofer	6½" (165 mm)
Tweeter	Inverted dome compression
Cone	DFS
Impedance	4Ω
Max. power	160W
Nom. power	80W RMS
Sensitivity (2.83V/1m)	91dB
Frequency response	70Hz - 22kHz

**FOCAL** INSIDE

Focal America | Camarillo, CA | 888.340.4403 | [www.focal-america.com](http://www.focal-america.com)

**FOCAL**  
LISTEN BEYOND

# HDA 165 2014 UP

## Technical Sheet

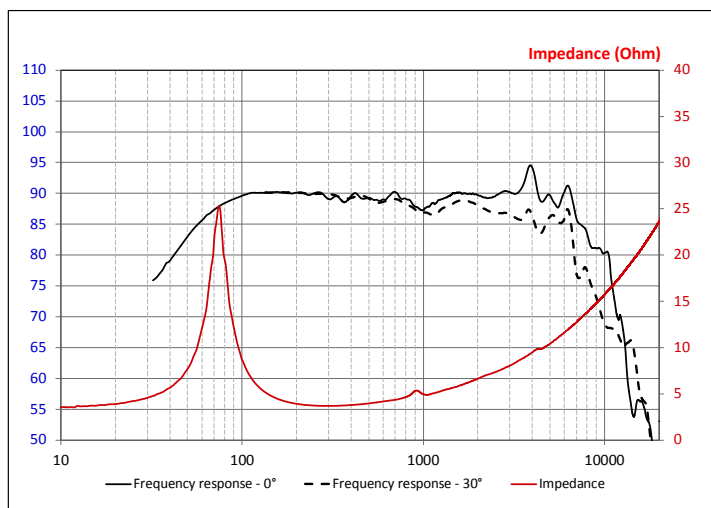
### Woofer



### SPECIFICATIONS

Nominal power	80 W
Maximum power	160 W
Sensitivity	91 dB
Nom. impedance	4 $\Omega$
Cone	DFS
Surround	Butyl
DC resistance	3.5 $\Omega$
VC diameter	25 mm 1"
Former	Kapton
Layers	2
Wire	Copper
Net weight	850 g 1.87lbs

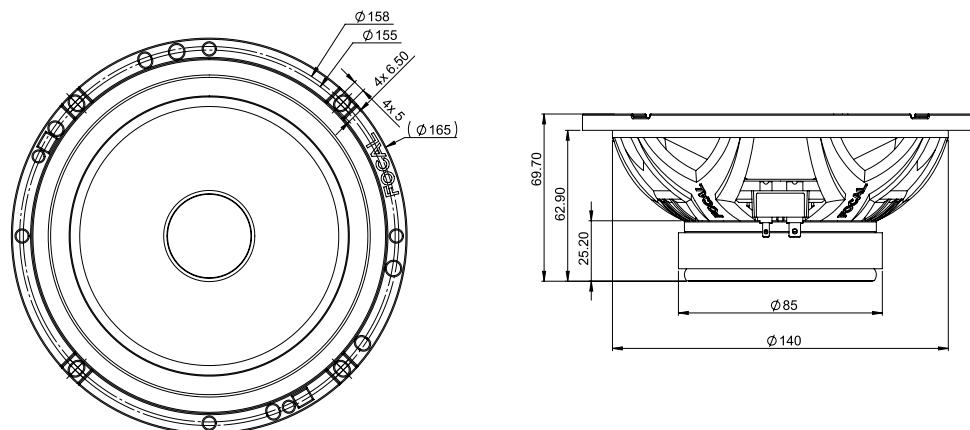
### FREQUENCY RESPONSE/IMPEDANCE



### PARAMETERS

Rdc	3.5 $\Omega$
Fs	70 Hz
Mms	14 g
Cms	0.34 mm/N
Vas	8.9 l
Qts	0.9
Qes	1.03
Qms	7.5
Bxl	4.7 N/A
Sd	136 cm
SPL	91 dB
Xmax	3 mm

### MECHANICAL DRAWING



**FOCAL**® INSIDE

Focal America | Camarillo, CA | 888.340.4403 | [www.focal-america.com](http://www.focal-america.com)

**FOCAL**®  
LISTEN BEYOND

# HDA 165 2014 UP

## Technical Sheet

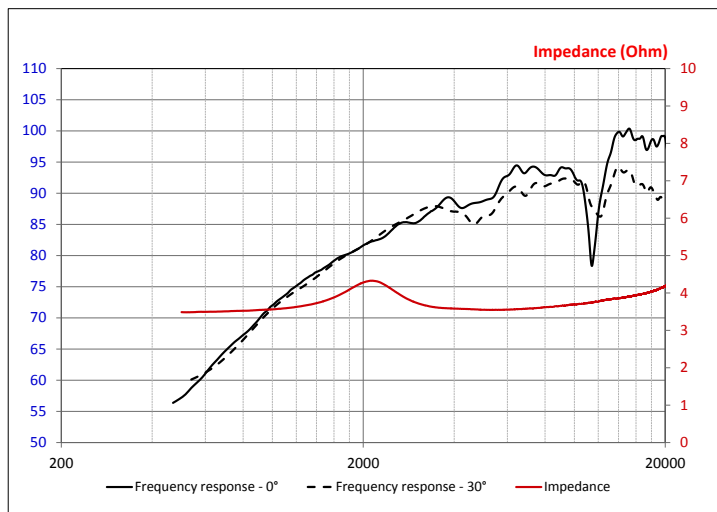
### Tweeter



### SPECIFICATIONS

Nominal power	20 W
Maximum power	200 W
Sensitivity	95 dB
Nom. impedance	4 $\Omega$
Cone	Aluminium
Surround	Poron
DC resistance	3.5 $\Omega$
VC diameter	20 mm $1\frac{3}{16}$ "
Former	Kapton
Layers	2
Wire	Alu
Net weight	60 g 0.13lb

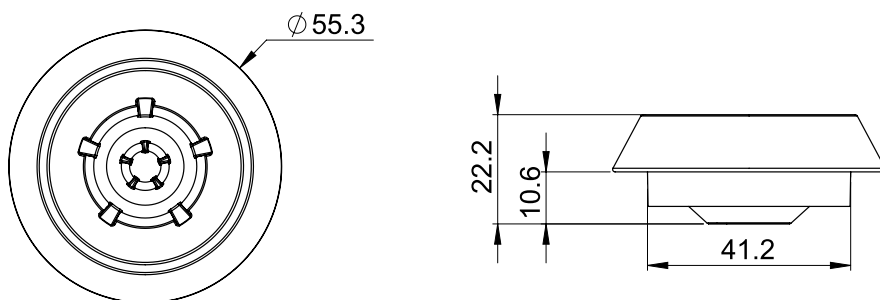
### FREQUENCY RESPONSE/IMPEDANCE



### PARAMETERS

Rdc	3.5 $\Omega$
Fs	2000 Hz

### MECHANICAL DRAWING



**FOCAL**® *INSIDE*

Focal America | Camarillo, CA | 888.340.4403 | [www.focal-america.com](http://www.focal-america.com)

**FOCAL**®  
LISTEN BEYOND