

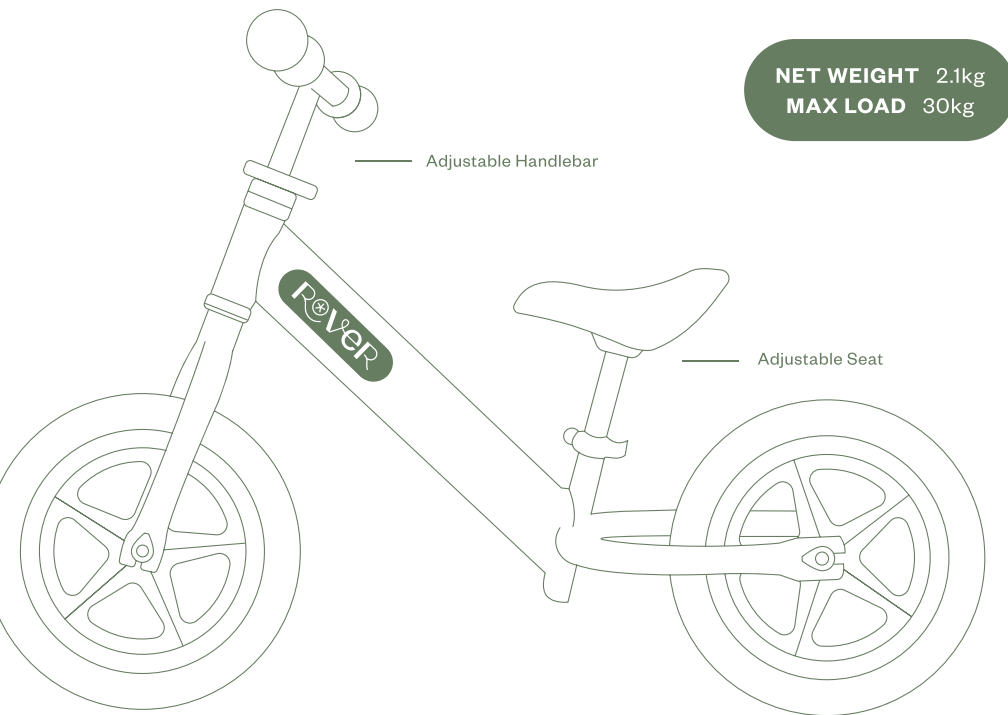
ROVER

Born to Wander. Choose Your Adventure.

A cycle of fun. A ride of laughter. A journey of play.

Rover is a great lightweight bike for your child to discover the joy of biking, while safely learning the basics of balancing and steering. Pleasing to the eyes, perfect for adventures.

You've got all the parts. Now, let's start!



SAFETY INSTRUCTIONS

Accompany and supervise your child throughout the ride.

Keep away from driving lanes, water drains and other risk areas.

When turning, steer gradually. Avoid sharp turns.

Before riding, always make sure your child is wearing protective gear and a safety helmet.

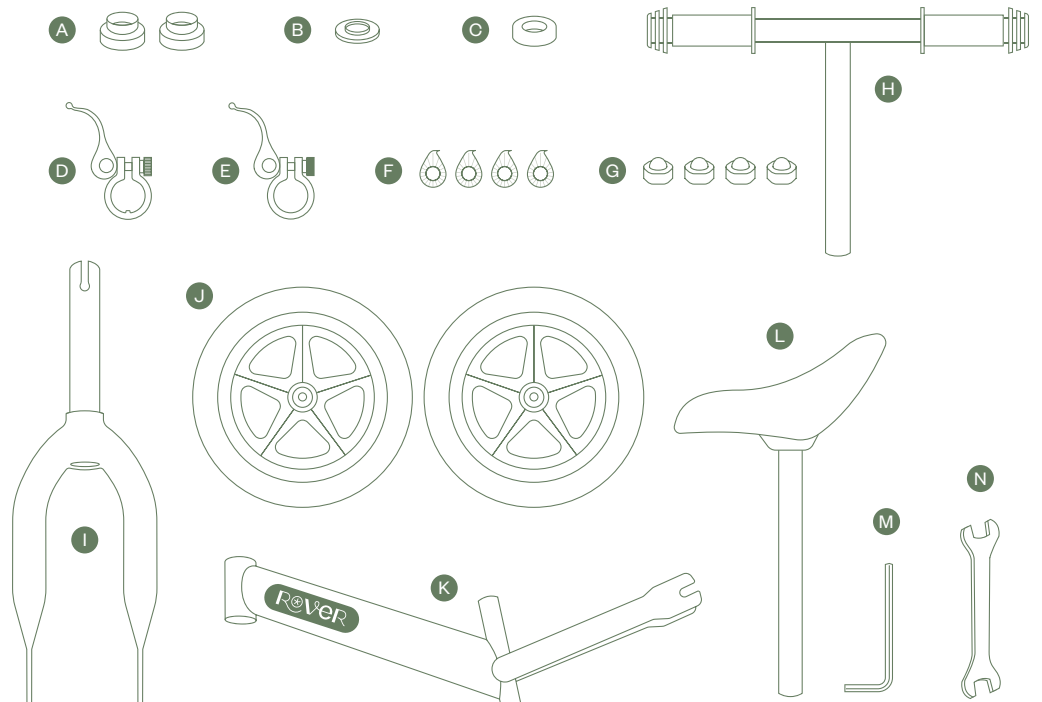
Check to ensure that parts are securely assembled before each ride. Tighten and check all fittings frequently.

Avoid overloading. Maximum weight capacity is 30kg.

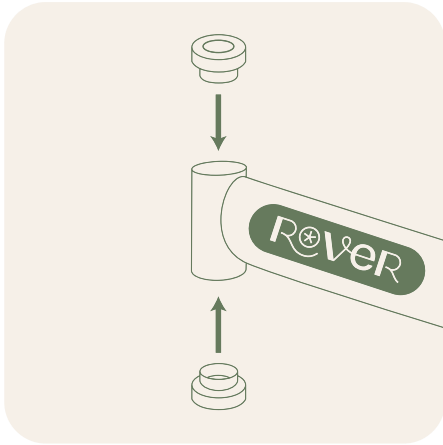
Recommended for ages 2 to 5 years.

Contents

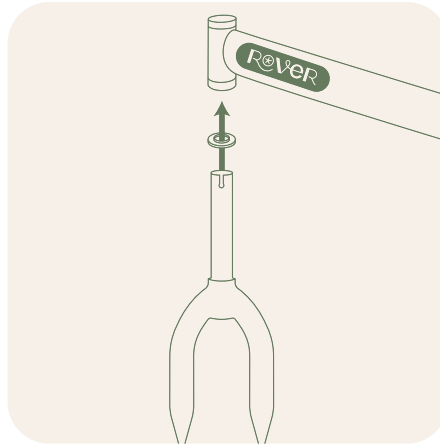
- A Bearing × 2
- B Flat Washer
- C Rounded Washer
- D Quick Release Clamp D
- E Quick Release Clamp E
- F Hooked Washer × 4
- G Nut × 4
- H Handlebar
- I Front Fork
- J Wheel × 2
- K Main Frame
- L Saddle Post
- M Allen Key
- N Spanner



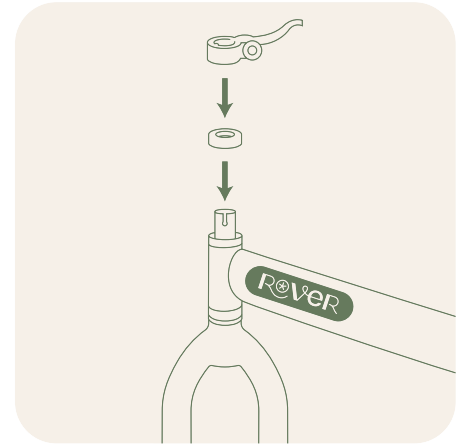
How to Assemble



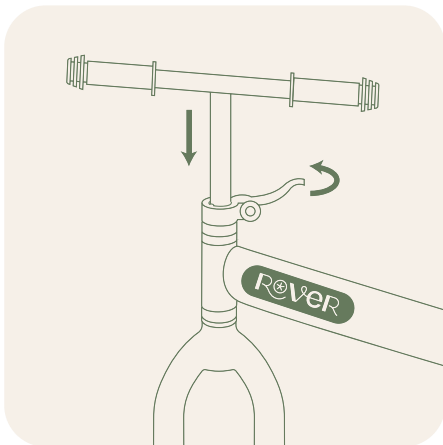
- 1 Insert bearings on both ends at the front of the main frame.



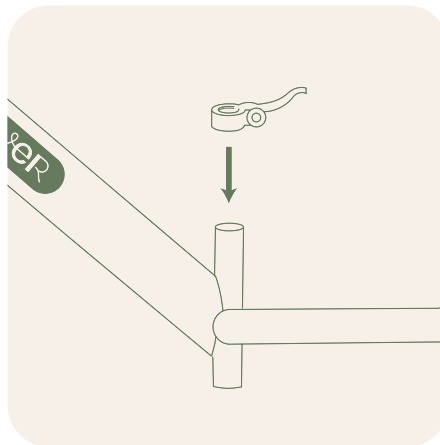
- 2 Slide flat washer on the front fork. Then, insert to the front of the main frame.



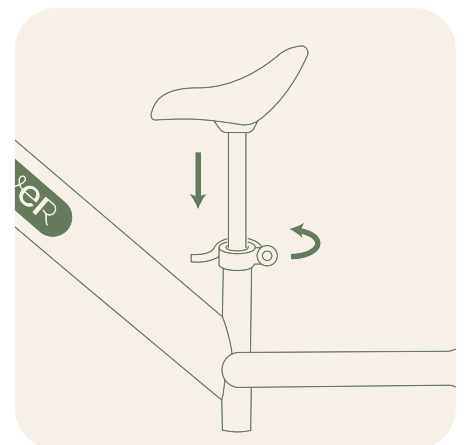
- 3 Slide rounded washer and place clamp D on top of the front fork.



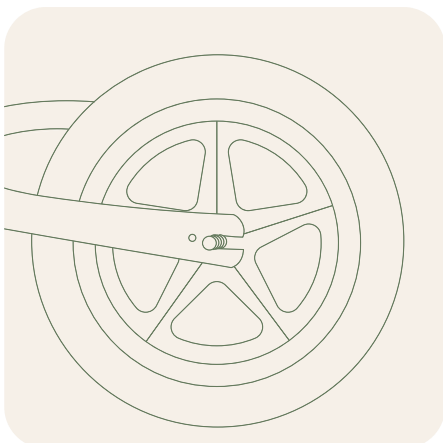
- 4 Insert handle bar. Adjust to a suitable height and tighten the clamp.



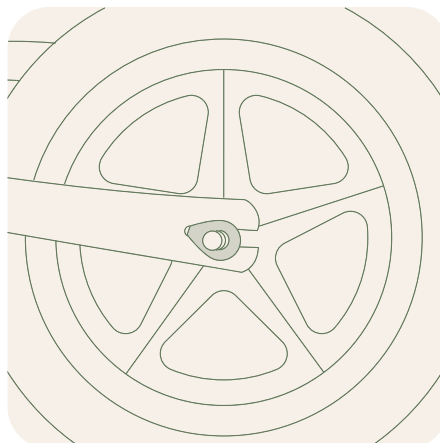
- 5 Position clamp E on the seat base.



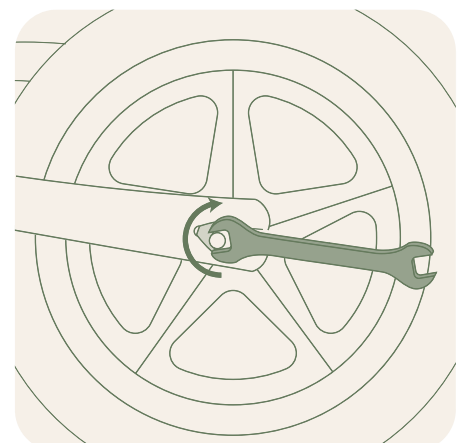
- 6 Insert saddle post. Adjust to a suitable height and tighten the clamp.



- 7 Slot the wheel axis into both ends of the fork.



- 8 Position the hooked washer on the wheel axis.



- 9 Cap with nut. Tighten nut with a spanner tool. Repeat for all sides.

WARNING

Complete adult supervision required.
Always ride in safe areas with protective gear and a safety helmet.

All done! We're ready to ROVER



WARRANTY Rover bike warranty covers material and workmanship defects for 6 months from the date of purchase. Warranty is valid under intended use and normal conditions only, limited to the value of the product. Warranty does not cover damage caused by wear and tear, accidents, water, misuse or neglect. This is the exclusive remedy under this warranty. Any and all other remedies and damages that may otherwise be applicable are excluded, including, but not limited to, incidental or consequential damages or punitive damages.

This is the only warranty made by Rover bike on its frames and components, and there are no warranties which extend beyond the description herein. Any warranties that may otherwise be implied by law including, but not limited to, any implied warranty of merchantability or fitness for a particular purpose, are excluded to the fullest extent permitted by law.

LIABILITY Rover bike accepts no responsibility or liability for any direct or indirect damage or loss whatsoever, including for personal injury or death, to the fullest extent permitted by law, unless such personal injury or death is a result of the negligence of Rover bike, the manufacturer or its agents.

