





Whether you are in a storm in open county, up in the mountains or along the coast, you can be sure that our canvas keeps you warm, dry and most important safe through all seasons!



Contents

| | |
|---------------------------------|-----------|
| Contents | 03 |
| About Arctic Lavvo | 05 |
| Venor Gamme | 06 |
| <i>In general</i> | 08 |
| <i>Special options</i> | 10 |
| <i>Additional equipment</i> | 14 |
| <i>Interior solutions</i> | 16 |
| Venor Gamme Lang | 18 |
| <i>In general</i> | 20 |
| <i>Special options</i> | 22 |
| <i>Additional equipment</i> | 26 |
| <i>Interior solutions</i> | 28 |
| Venor Lavvo | 30 |
| <i>In general</i> | 32 |
| <i>Special options</i> | 34 |
| <i>Additional equipment</i> | 36 |
| <i>Interior solutions</i> | 38 |
| Venor Tradisjonell Lavvo | 40 |
| <i>In general</i> | 42 |
| <i>Special options</i> | 45 |
| <i>Additional equipment</i> | 47 |
| <i>Interior solutions</i> | 49 |
| Venor Enstangslavvo | 52 |
| <i>In general</i> | 54 |
| <i>Details</i> | 56 |
| <i>Heating</i> | 57 |
| <i>Additional equipment</i> | 58 |
| <i>Interior solutions</i> | 60 |
| Venor Storlavvo | 62 |
| Arctic Minilavvo | 64 |
| WC-Lavvo | 65 |
| Accessories | 66 |
| Technical details | 74 |



Arctic Lavvo have solid experience using lavvo. Our lavvos are descendants of the lavvos the Sami have used for many generations. Closely surrounded by family, the Sami lived from the beginning of life to the end in lavvos. We find it extra special that one of our Arctic Lavvo owners was born in a lavvo in 1960.

Arctic Lavvo was established in August 2016, when we acquired the rights to the continued production of Venor products. Venor products have been on the market for over 30 years and are known for their sturdy quality. Our production department is located in Kautokeino, right in the heart of Lapland.

Our products can remain outside all year long and are well suited for the garden, outside cabins or for use in the wild. The lavvo and the gamme quickly become a natural gathering point for you and your family, your company or your customers.

Try Arctic Lavvo! We will do our best for your complete satisfaction! We can honestly say that there is quality handwork behind every seam.

We would like to hear from you!

Did you know that we can also customise our products? If you have requirements beyond what is shown in the catalogue, we would like to work with you to find the best solution.

Please contact us for ordering or if you have any questions about our products.

Telephone: +47 917 31 283

Email: ordre@arcticlavvo.no

Facebook: [@arcticlavvo](https://www.facebook.com/arcticlavvo)

Instagram: [@arcticlavvo](https://www.instagram.com/arcticlavvo)

www.arcticlavvo.com





VENOR GAMME

The Venor Gamme is a great starting point for wonderful experiences camping out in nature. This is a spacious year-round tent designed to be heated with a stove. The tent is tall enough to stand in, and there is plenty of room for camp beds, chairs and tables.

A peg set, guylines and cover for the stovepipe port are included when purchasing the gamme canvas. The canvas is made of strong, quality cotton and polyester and comes in the following colour choices:



Beige



Natural white

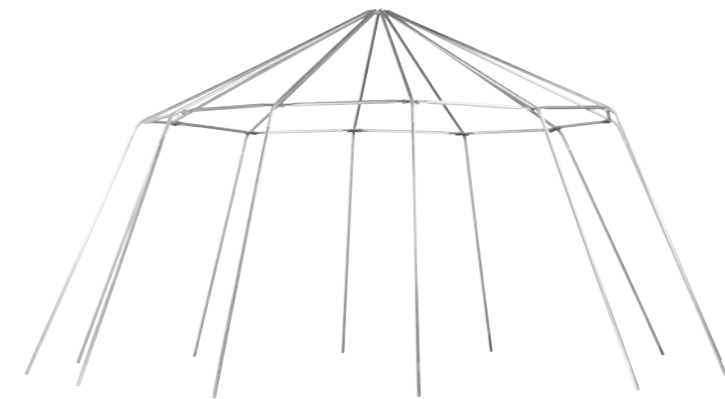


Green

SPECIFICATIONS

The canvas is made of 50% cotton / 50% polyester. The canvas is impregnated and mould resistant. Weight: 400 g/m²

| Size | Diameter | Floor area | Peak height | Wall height | Weight (canvas+poles) | Sitting spaces |
|-------|----------|----------------------|-------------|-------------|-----------------------|----------------|
| 4-6 | 380 cm | 11.33 m ² | 211 cm | 148 cm | 27 kg | 8 people |
| 8-10 | 435 cm | 14.78 m ² | 215 cm | 162 cm | 31 kg | 10 people |
| 12-14 | 480 cm | 17.34 m ² | 230 cm | 168 cm | 37.5 kg | 14 people |



The frame consists of foldable aluminium poles. These are assembled quickly and easily.

PRICES

The canvas and poles are sold both separately and as a complete set. All prices include VAT.

| Size | Gamme canvas | Aluminium poles |
|-------|--------------|-----------------|
| 4-6 | 22 090 NOK | 14 090 NOK |
| 8-10 | 24 390 NOK | 17 790 NOK |
| 12-14 | 26 290 NOK | 20 290 NOK |

SPECIAL OPTIONS



Interior skirt

If you want to give your gamme an extra seal against the elements, you can choose the interior skirt as an option. This is an extra edge at the bottom of the canvas on the inside of the gamme, which you can pull under the poles before the peg fasteners are tightened. The skirt also contributes to greater stability under demanding wind conditions.

Price for size 4-6: **1 690 NOK**
 Price for size 8-10: **1 990 NOK**
 Price for size 12-14: **2 190 NOK**



Windows

Get closer to nature with roof and wall windows! One wall window is included in the price of a standard gamme. We can also fit the ceiling with windows so you can enjoy more of the view. Both ceiling and wall windows can be closed with a curtain.

Price per additional wall window: **990 NOK**
 Price per ceiling window: **2 990 NOK**

SPECIAL OPTIONS



Vents

Vents are recommended for better air flow, especially when drying damp clothes and when cooking. Vents have an external flap which shields against precipitation entering, and the vents can be completely closed from the inside.

Price per vent: **890 NOK**



Stovepipe port w/cover

Stovepipe port placement is optional. The diameter is 95 mm. You can choose to have multiple stovepipe ports if you wish. An aluminium cover is included.

Price for additional stovepipe ports: **950 NOK**

SPECIAL OPTIONS



Standard door

A standard door opening is included in the price, and the door opening consists of a sturdy zipper with a flap over it. The flap protects the zipper from frost and rain. The door can be fastened to the sides to keep it open.

Standard door price:

0 NOK



Double zipper door

An alternative to our standard door is our practical double zipper door with a flap. The flap protects the zipper from frost and rain. The door can be fastened to the top to keep it open.

Double zipper door price:

1 190 NOK

SPECIAL OPTIONS



Curved door

This is the door for those who camp a lot in demanding, rough weather. Because the storm/mould-proof edge is sewn tight around the entire Venor Gamme, you avoid wind and snow being able to get a hold of the door opening and in the worst case breaking open the zipper. The door is held rigid with a fixed fibreglass slat that is removed during transport.

Curved door price:

3 390 NOK



Mosquito door

The mosquito door keeps mosquitoes, midges and other insects out. The mosquito door can be fastened to the sides when it is not in use.

Price per mosquito door:

1 690 NOK

ADDITIONAL EQUIPMENT



Inner canvas

The inner canvas serves as extra insulation against cold in the winter and heat in the summer. Comes in colours white or grey. The canvas is made of 145g of mould-treated cotton and has a synthetic mould-proof edge at the bottom.

| | |
|-----------------------|-------------------|
| Price for size 4-6: | 11 990 NOK |
| Price for size 8-10: | 12 790 NOK |
| Price for size 12-14: | 13 590 NOK |



If a double zipper door, extra window or vent is selected for the outer canvas, the additional price for the options will also be added to the price of the inner canvas, since the same changes must be made to the inner canvas. If you have a curved door on the outer canvas, you will get a double zipper door on the inner canvas.

ADDITIONAL EQUIPMENT



Bottom

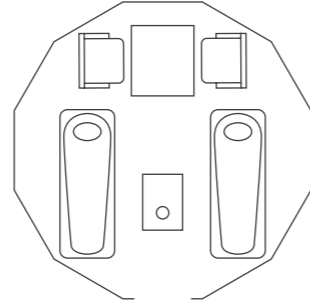
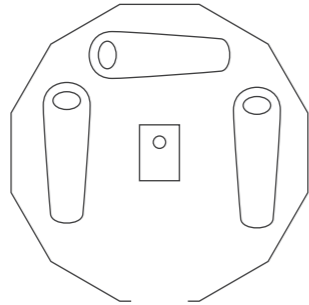
The bottom canvas for the Venor Gamme is made of a strong nylon material and acts as a moisture barrier. Light insulating effect that increases comfort.

| | |
|-----------------------|------------------|
| Price for size 4-6: | 3 790 NOK |
| Price for size 8-10: | 4 390 NOK |
| Price for size 12-14: | 5 190 NOK |

INTERIOR SOLUTIONS

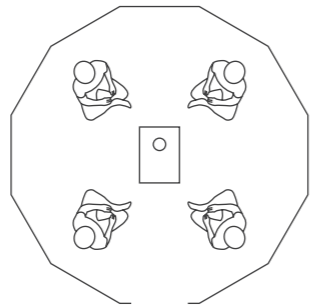
Interior solutions for a 4-6 person gamme:

Example with stove and 3 sleeping spaces on the ground



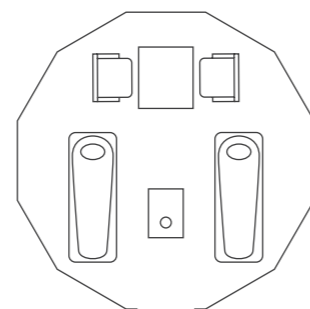
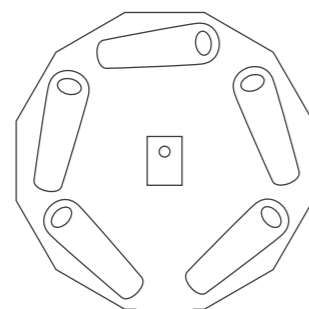
Example with 2 camp beds, stove, table and chairs

Example with stove and 4 sitting spaces



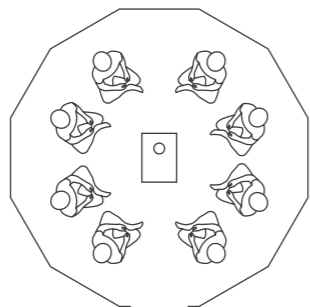
Interior design solutions for a 8-10 person gamme:

Example with stove and 5 sleeping spaces on the ground



Example with 2 camp beds, stove, table and chairs

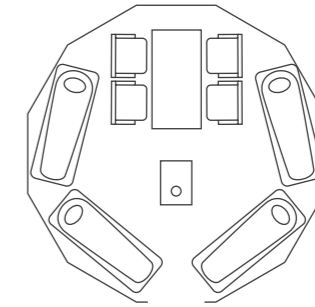
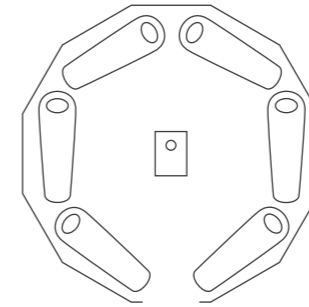
Example with stove and 8 sitting spaces



INTERIOR SOLUTIONS

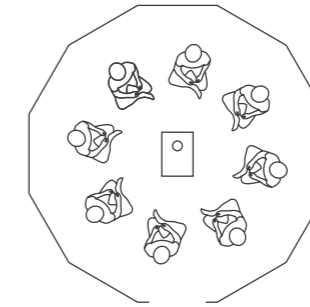
Interior solutions for a 12-14 person gamme:

Example with stove and 6 sleeping spaces on the ground





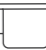



Example with 4 camp beds, stove, table and chairs

Example with stove and 8 sitting spaces



Dimensions of various furnishings:

| | | | | | |
|---|---|---|---|---|---|
|  |  |  |  |  |  |
| Sleeping bag: | Camp bed: | Stove: | Sitting space: | Chair: | Table: |
| L: 190 cm W: 72 cm | L: 200 cm W: 80 cm | W: 50 cm L: 70 cm | Diameter: 53 cm | D: 58 cm W: 70 cm | W: 80 cm L: 90 cm |



VENOR GAMME LANG

From
54 480^{NOK}
incl. VAT



VENOR GAMME LANG

The Venor Gamme Lang creates the perfect base for a comfortable and adventure-filled experience out in nature. With its oval shape, the tent is very spacious. There is space for camp beds, tables and chairs in addition to any equipment you might want. This is a spacious year-round tent designed to be heated with a stove.

A peg set, guylines and cover for the stovepipe port are included when purchasing the gamme canvas. The canvas is made of strong, quality cotton and polyester and comes in the following colour choices:



Beige



Natural white

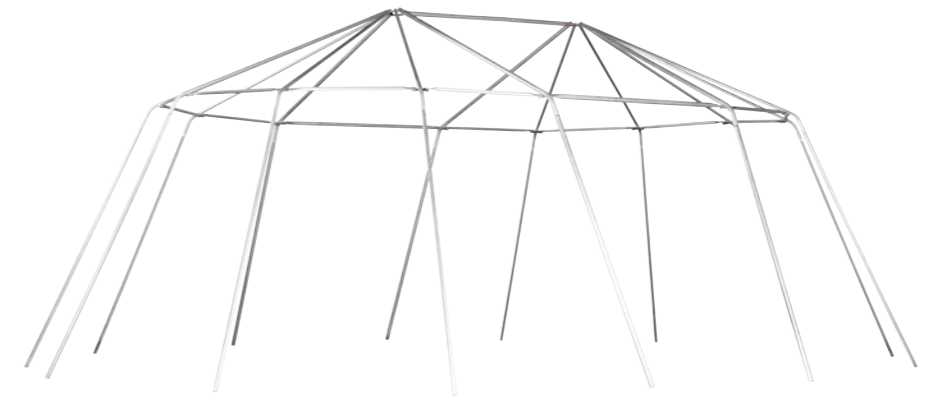


Green

SPECIFICATIONS

The canvas is made of 50% cotton / 50% polyester. The canvas is impregnated and mould resistant. Weight: 400 g/m²

| Size | Length | Width | Floor area | Peak height | Wall height | Weight (canvas + poles) | Sitting spaces |
|------|--------|--------|----------------------|-------------|-------------|-------------------------|----------------|
| Long | 620 cm | 480 cm | 23.92 m ² | 230 cm | 168 cm | 51 kg | 18 people |



The frame consists of foldable aluminium poles. These are assembled quickly and easily.

PRICES

The canvas and poles are sold both separately and as a complete set. All prices include VAT.

| Size | Gamme canvas | Aluminium poles |
|------|--------------|-----------------|
| Long | 30 790 NOK | 23 690 NOK |

SPECIAL OPTIONS



Interior skirt

If you want to give your gamme an extra seal against the elements, you can choose the interior skirt as an option. This is an extra edge at the bottom of the canvas on the inside of the gamme, which you can pull under the poles before the peg fasteners are tightened. The skirt also contributes to greater stability under demanding wind conditions.

Price for interior skirt: **2 990 NOK**



Windows

Get closer to nature with roof and wall windows! One wall window is included in the price of a standard gamme. We can also fit the ceiling with windows so you can enjoy more of the view. Both ceiling and wall windows can be closed with a curtain.

Price per additional wall window: **990 NOK**

Price per ceiling window: **2 990 NOK**



SPECIAL OPTIONS



Vents

Vents are recommended for better air flow, especially when drying damp clothes and when cooking. Vents have an external flap which shields against precipitation entering, and the vents can be completely closed from the inside.



Price per vent: **890 NOK**



Stovepipe port w/cover

Stovepipe port placement is optional. The diameter is 95 mm. You can choose to have multiple stovepipe ports if you wish. An aluminium cover is included.



Price for additional stovepipe ports: **950 NOK**

SPECIAL OPTIONS



Standard door

A standard door opening is included in the price, and the door opening consists of a sturdy zipper with a flap over it. The flap protects the zipper from frost and rain. The door can be fastened to the sides to keep it open.

Standard door price:

0 NOK



Double zipper door

An alternative to our standard door is our practical double zipper door with a flap. The flap protects the zipper from frost and rain. The door can be fastened to the top to keep it open.

Double zipper door price:

1 190 NOK

SPECIAL OPTIONS



Curved door

This is the door for those who camp a lot in demanding, rough weather. Because the storm/mould-proof edge is sewn tight around the entire Venor Gamme, you avoid wind and snow being able to get a hold of the door opening and in the worst case breaking open the zipper. The door is held rigid with a fixed fibreglass slat that is removed during transport.

Curved door price:

3 390 NOK



Mosquito door

The mosquito door keeps mosquitoes, midges and other insects out. The mosquito door can be fastened to the sides when it is not in use.

Price per mosquito door:

1 690 NOK

ADDITIONAL EQUIPMENT



Inner canvas

The inner canvas serves as extra insulation against cold in the winter and heat in the summer. Comes in colours white or grey. The canvas is made of 145g of mould-treated cotton and has a synthetic mould-proof edge at the bottom.

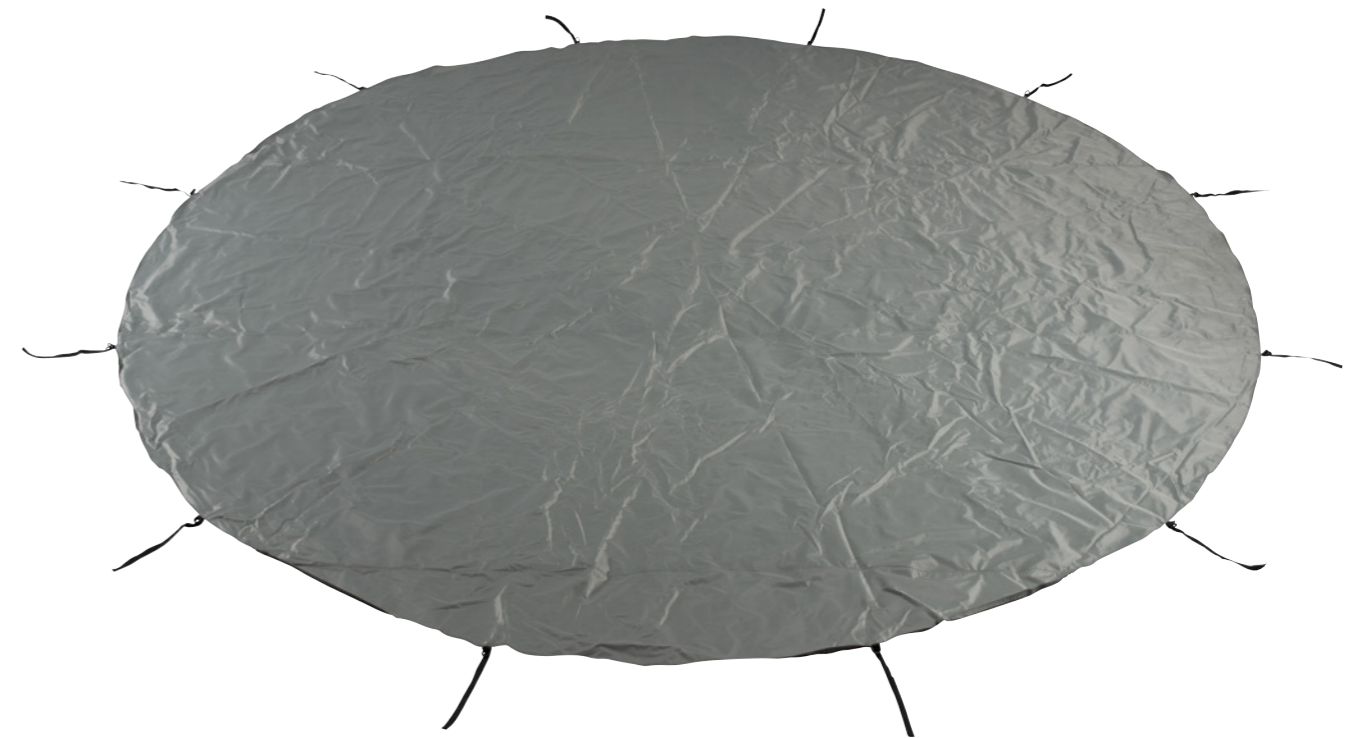


If a double zipper door, extra window or vent is selected for the outer canvas, the additional price for the options will also be added to the price of the inner canvas, since the same changes must be made to the inner canvas. If you have a curved door on the outer canvas, you will get a double zipper door on the inner canvas.

Price for inner canvas:

15 890 NOK

ADDITIONAL EQUIPMENT



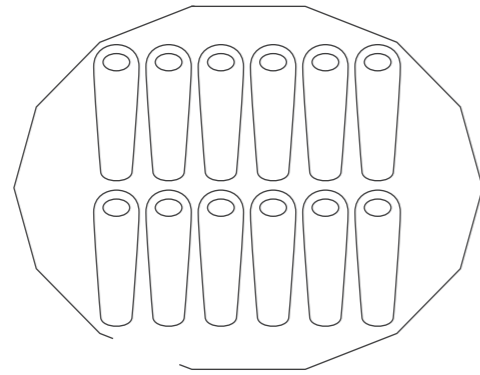
Bottom

The bottom canvas for the Venor Gamme Lang is made of a strong nylon material and acts as a moisture barrier. Light insulating effect that increases comfort.

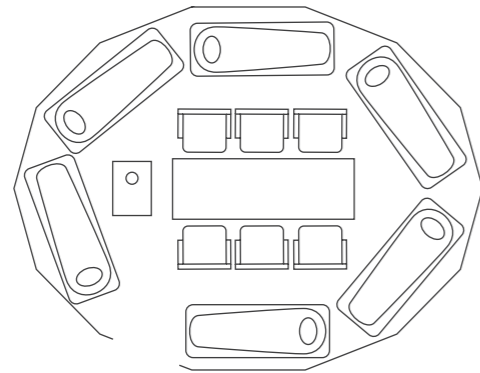
Price for bottom:

5 990 NOK

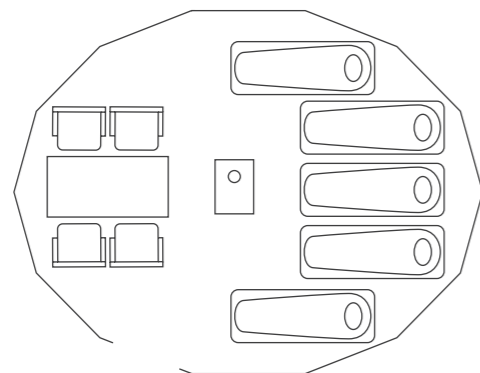
INTERIOR SOLUTIONS



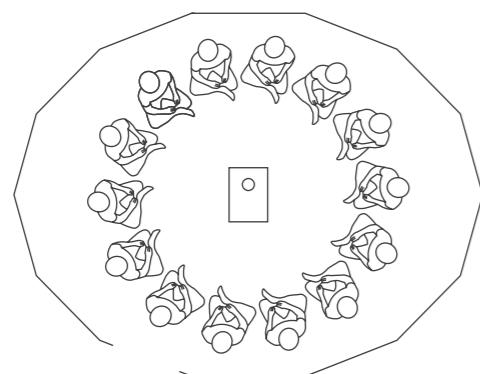
Example with stove and 12 sleeping spaces on the ground



Example with 6 camp beds, stove, table and chairs







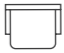

Example with 5 camp beds, stove, table and chairs



Example with stove and 14 sitting spaces

INTERIOR SOLUTIONS

Dimensions of various furnishings:

| | | | | | |
|--|--|---|---|---|---|
|  |  |  |  |  |  |
| <i>Sleeping bag:</i> | <i>Camp bed:</i> | <i>Stove:</i> | <i>Sitting space:</i> | <i>Chair:</i> | <i>Table:</i> |
| <i>L: 190 cm W: 72 cm</i> | <i>L: 200 cm W: 80 cm</i> | <i>W: 50 cm L: 70 cm</i> | <i>Diameter: 53 cm</i> | <i>D: 58 cm W: 70 cm</i> | <i>W: 80 cm L: 90 cm</i> |



VENOR LAVVO



From
30 680^{NOK}
incl. VAT

VENOR LAVVO

The Venor Lavvo is a popular lavvo model for year-round use. This lavvo offers many possibilities to suit all types of outdoor activities. The Venor Lavvo is simple and quick to pitch, and the two smallest models can be easily pitched alone.

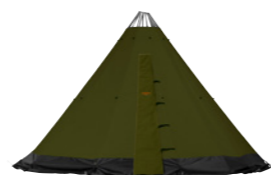
A peg set, guyline set and cover for the stovepipe port are included when purchasing the lavvo canvas. The canvas is made of strong, quality cotton and polyester and comes in the following colour choices:



Beige



Natural white

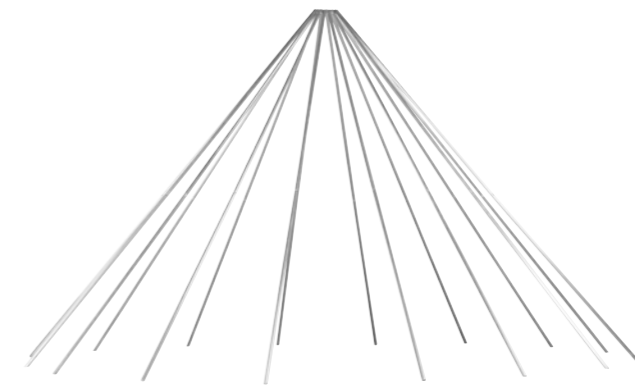


Green

SPECIFICATIONS

The canvas is made of 50% cotton / 50% polyester. The canvas is impregnated and mould resistant. Weight: 400 g/m²

| Size | Diameter | Floor area | Height (peak) | Weight (canvas + poles) | Sitting spaces |
|-------|----------|----------------------|---------------|-------------------------|----------------|
| 4-6 | 400 cm | 12.56 m ² | 250 cm | 27 kg | 8 people |
| 8-10 | 470 cm | 17.3 m ² | 273 cm | 35.5 kg | 12 people |
| 12-14 | 530 cm | 22 m ² | 300 cm | 42 kg | 16 people |
| 15-20 | 580 cm | 26.4 m ² | 330 cm | 72.5 kg | 20 people |



The frame consists of foldable aluminium poles. These are assembled quickly and easily.

PRICES

The canvas and poles are sold both separately and as a complete set. All prices include VAT.

| Size | Lavvo canvas | Aluminium poles |
|-------|--------------|-----------------|
| 4-6 | 16 390 NOK | 14 290 NOK |
| 8-10 | 20 190 NOK | 14 490 NOK |
| 12-14 | 21 890 NOK | 16 890 NOK |
| 15-20 | 26 290 NOK | 24 390 NOK |

SPECIAL OPTIONS



Heating

The Venor Lavvo is well suited for both open fires and stoves, and a loose stove hat is included. If you want to use an open fire for heating the lavvo, the stove hat must be removed so that smoke can escape. If you want to use a stove, the stove hat can be fastened to the lavvo so that the lavvo is sealed at the top with a port for the stove pipe.



Mosquito door

The mosquito door keeps mosquitoes, midges and other insects out. The mosquito door can be fastened to the sides when it is not in use.

Price size 4-6 and 8-10: **1 690 NOK**
 Price size 12-14 and 15-20: **2 190 NOK**



Vents

Vents are recommended for better air flow, especially when drying damp clothes and when cooking. Vents have an external flap which shields against precipitation entering, and the vents can be completely closed from the inside.



Price per vent: **890 NOK**

SPECIAL OPTIONS



Interior skirt

If you want to give your lavvo an extra seal against the elements, you can choose the interior skirt as an option. This is an extra edge at the bottom of the canvas on the inside of the lavvo, which you can pull under the poles before the peg fasteners are tightened. The skirt also contributes to greater stability under demanding wind conditions.

Price for size 4-6: **1 690 NOK**
 Price for size 8-10: **2 190 NOK**
 Price for size 12-14: **2 690 NOK**
 Price for size 15-20: **3 090 NOK**



Windows

If desired, we can fit the lavvo with windows. The location of which and number are optional. The window has a trapezoid shape and can be closed with a curtain.



Price per window: **990 NOK**

ADDITIONAL EQUIPMENT



Inner canvas

The inner canvas serves as extra insulation against cold in the winter and heat in the summer. Comes in colours white or grey. The canvas is made of 145g of mould-treated cotton and has a synthetic mould-proof edge at the bottom.



If a window is selected on the outer canvas, the additional price for the window will also be added to the price of the inner canvas.

| | |
|-----------------------|-------------------|
| Price for size 4-6: | 10 090 NOK |
| Price for size 8-10: | 10 390 NOK |
| Price for size 12-14: | 11 590 NOK |
| Price for size 15-20: | 13 790 NOK |

ADDITIONAL EQUIPMENT



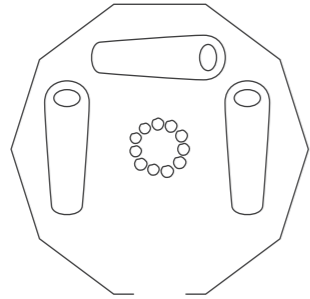
Bottom

The bottom canvas for the Venor Lavvo is made of a strong nylon material and acts as a moisture barrier. Light insulating effect that increases comfort. The bottom comes with a slit that can be opened if you have an open fire in the lavvo.

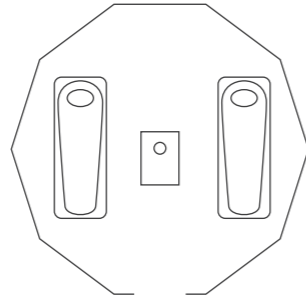
| | |
|-----------------------|------------------|
| Price for size 4-6: | 4 190 NOK |
| Price for size 8-10: | 5 390 NOK |
| Price for size 12-14: | 6 290 NOK |
| Price for size 15-20: | 6 790 NOK |

INTERIOR SOLUTIONS

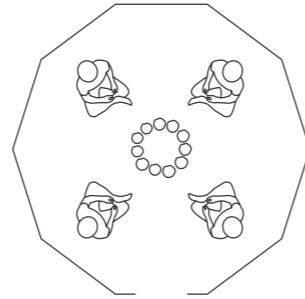
Interior solutions for a 4-6 person lavvo:



Example with open fire and 3 sleeping spaces on the ground

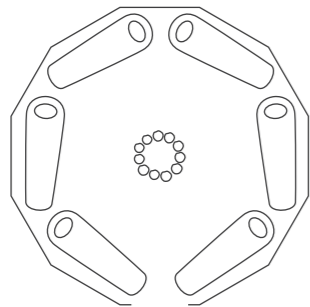


Example with 2 camp beds and stove

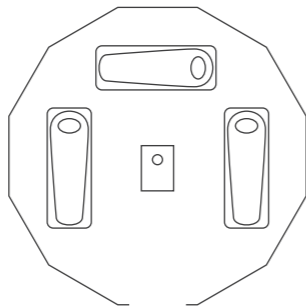


Example with open fire and 4 sitting spaces

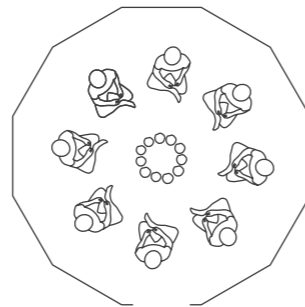
Interior solutions for a 8-10 person lavvo:



Example with open fire and 6 sleeping spaces on the ground

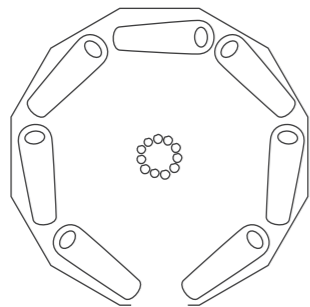


Example with 3 camp beds and stove

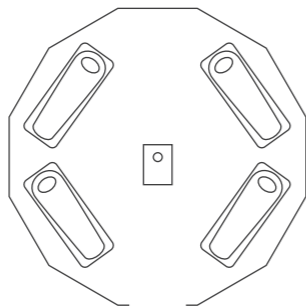


Example with open fire and 8 sitting spaces

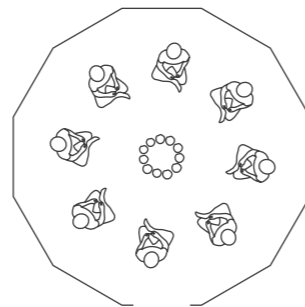
Interior solutions for a 12-14 person lavvo:



Example with open fire and 7 sleeping spaces on the ground



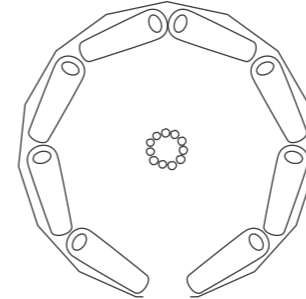
Example with 4 camp beds and stove



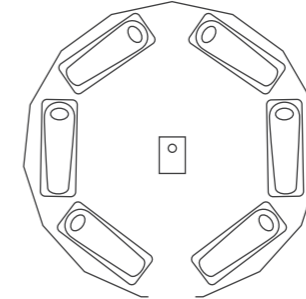
Example with open fire and 8 sitting spaces

INTERIOR SOLUTIONS

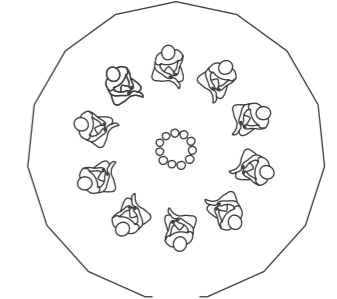
Interior solutions for a 15-20 person lavvo:



Example with stove and 8 sleeping spaces on the ground

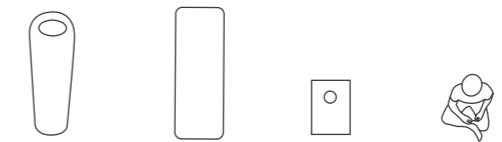


Example with 6 camp beds



Example with 10 sitting spaces

Dimensions of various furnishings:



Sleeping bag:

*L: 190 cm
W: 72 cm*

Camp bed:

*L: 200 cm
W: 80 cm*

Stove:

*W: 50 cm
L: 70 cm*

Sitting space:

Diameter: 53 cm



VENOR TRADISJONELL LAVVO



From
21 780 NOK
incl. VAT

VENOR TRADISJONELL LAVVO

The Venor Tradisjonell Lavvo is almost identical to the lavvo that the Sami have used for hundreds of years. It is simple to use and creates a unique atmosphere. You really get a sense of the wilderness with an open fire in this lavvo. It's an advantage having two people pitching a traditional lavvo. As well, you will need a ladder when pitching the largest lavvos.

A peg set is included when buying the traditional lavvo canvas. The canvas is made of strong, quality cotton and polyester and comes in the following colour choices:



Beige



Natural white



Green

SPECIFICATIONS

The canvas is made of 50% cotton / 50% polyester. The canvas is impregnated and mould resistant. Weight: 400 g/m²

| Size | Diameter | Floor area | Height (peak) | Weight (canvas and pegs) | Sitting spaces |
|-------|----------|----------------------|---------------|--------------------------|----------------|
| 4-6 | 400 cm | 12.56 m ² | 250 cm | 11.5 kg | 8 people |
| 8-10 | 470 cm | 17.3 m ² | 273 cm | 14.5 kg | 12 people |
| 12-14 | 530 cm | 22 m ² | 300 cm | 17 kg | 16 people |
| 15-20 | 580 cm | 26.4 m ² | 330 cm | 26.5 kg | 20 people |
| 25-30 | 730 cm | 41.85 m ² | 411 cm | 38 kg | 30 people |

PRICES

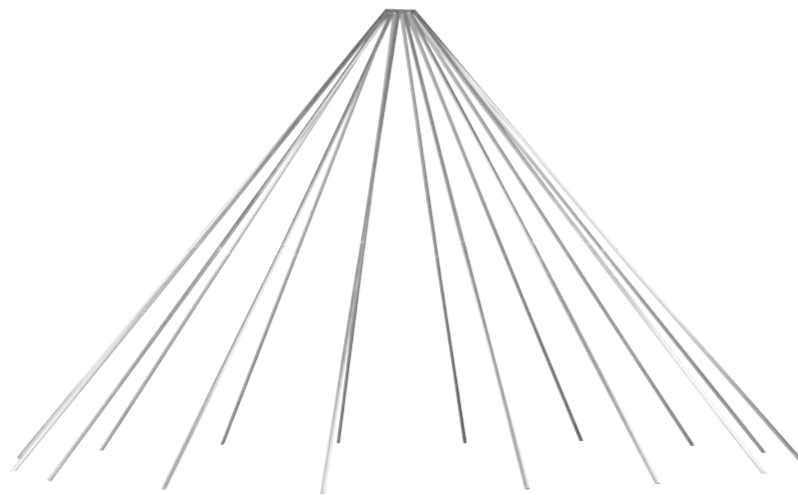
The canvas and poles are sold both separately and as a complete set. All prices include VAT.

| Size | Lavvo canvas w/flap door | Lavvo canvas w/zipper door | Lavvo canvas w/loose door | Wooden poles | Aluminium poles |
|-------|--------------------------|----------------------------|---------------------------|--------------|-----------------|
| 4-6 | 21 780 NOK | 22 670 NOK | 23 970 NOK | 9 990 NOK | 14 290 NOK |
| 8-10 | 26 480 NOK | 27 370 NOK | 28 670 NOK | 11 400 NOK | 14 490 NOK |
| 12-14 | 28 980 NOK | 29 870 NOK | 31 570 NOK | 13 650 NOK | 16 890 NOK |
| 15-20 | 34 480 NOK | 35 470 NOK | 37 070 NOK | 17 480 NOK | 24 390 NOK |
| 25-30 | 38 480 NOK | 39 470 NOK | 41 470 NOK | 21 580 NOK | x |



Wooden poles

If you have time, the opportunity and access to long enough trees, you can make the lavvo poles (wooden poles) yourself. A guide is included with the lavvo. If you would like wooden poles ready to use, we will of course supply you with these.



Aluminium poles

It is also possible to use aluminium poles for the Venor Tradisjonell Lavvo. This applies up to size 15-20.

SPECIAL OPTIONS



Flap door

Sewn tight to the lavvo canvas, you attach a wooden pole to the flap and use this to open and close the door.



Traditional loose door

The door is attached to the top casing and hangs loosely over the door opening.



Zipper door

A modern solution that seals up the lavvo. The necessary draw for an open fire comes if you lift the canvas up a little.



Heating

The lavvo's round shape provides good draw for open fires and makes the smoke rise. You can also use a wood stove in the Venor Tradisjonell Lavvo. If you are going to use a wood stove, you can either use our aluminium rods, or you can make an opening between the wooden poles that is large enough for the stove pipe to exit. If you are going to use a stove in the lavvo, we can adapt the rain hat for use with a stove.

Adapting the rain hat for oven use: **990 NOK**

SPECIAL OPTIONS



Interior skirt

If you want to give your lavvo an extra seal against the elements, you can choose the interior skirt as an option. This is an extra edge at the bottom of the canvas on the inside of the lavvo, which you can pull under the poles before the peg fasteners are tightened. The skirt also contributes to greater stability under demanding wind conditions.

| | |
|-----------------------|------------------|
| Price for size 4-6: | 1 690 NOK |
| Price for size 8-10: | 2 190 NOK |
| Price for size 12-14: | 2 690 NOK |
| Price for size 15-20: | 3 090 NOK |



Windows

If desired, we can fit the lavvo with windows. The location of which and number are optional. The window has a trapezoid shape and can be closed with a curtain.

| | |
|-------------------|----------------|
| Price per window: | 990 NOK |
|-------------------|----------------|

ADDITIONAL EQUIPMENT



Inner canvas

The inner canvas serves as extra insulation against the cold in winter. The Venor Tradisjonell Lavvo inner canvas is approx. half the height of the outer canvas and is attached to the poles.



The Venor Tradisjonell Lavvo inner canvas does not come with windows.

| | |
|-----------------------|------------------|
| Price for size 4-6: | 6 790 NOK |
| Price for size 8-10: | 7 090 NOK |
| Price for size 12-14: | 7 690 NOK |
| Price for size 15-20: | 8 490 NOK |
| Price for size 25-30: | 9 790 NOK |

ADDITIONAL EQUIPMENT



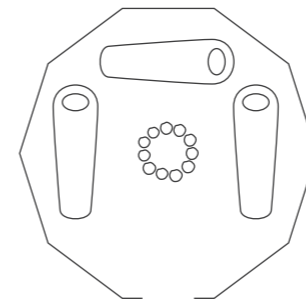
Bottom

The bottom canvas for the Venor Tradisjonell Lavvo is made of a strong nylon material and acts as a moisture barrier. Light insulating effect that increases comfort. The bottom comes with a slit that can be opened if you have an open fire in the lavvo.

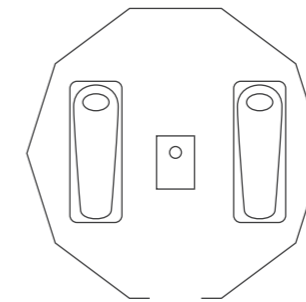
| | |
|-----------------------|-----------------|
| Price for size 4-6: | 2900 NOK |
| Price for size 8-10: | 3800 NOK |
| Price for size 12-14: | 4400 NOK |
| Price for size 15-20: | 4900 NOK |
| Price for size 25-30: | 5900 NOK |

INTERIOR SOLUTIONS

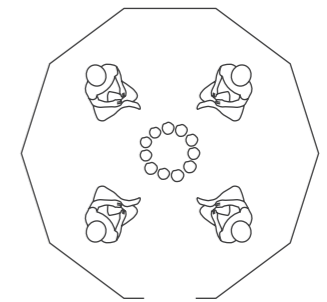
Interior solutions for a 4-6 person lavvo:



Example with open fire and 3 sleeping spaces on the ground

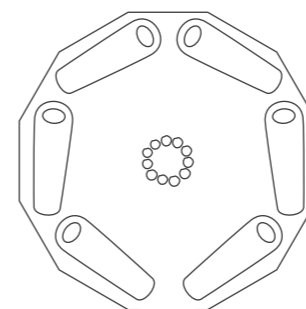


Example with 2 camp beds and stove

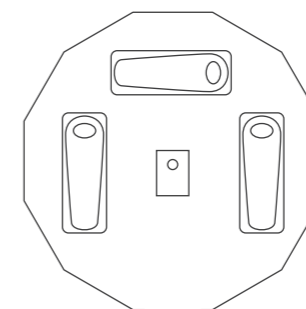


Example with open fire and 4 sitting spaces

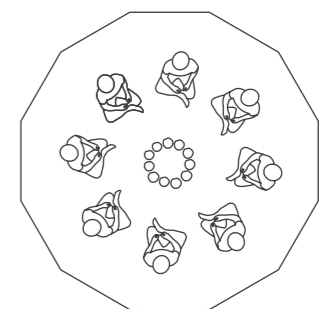
Interior solutions for a 8-10 person lavvo:



Example with open fire and 6 sleeping spaces on the ground



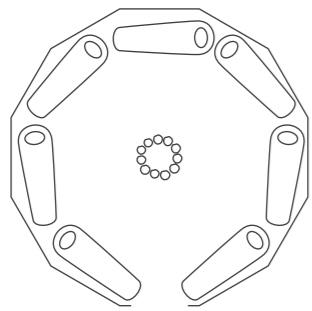
Example with 3 camp beds and stove



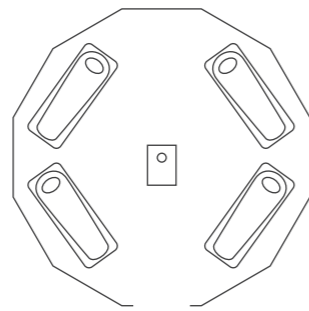
Example with open fire and 8 sitting spaces

INTERIOR SOLUTIONS

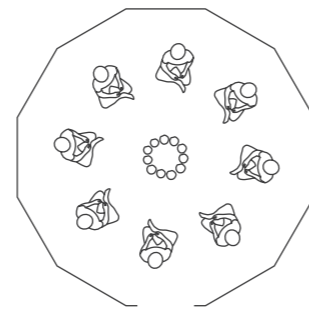
Interior solutions for a 12-14 person lavvo:



Example with open fire and 7 sleeping spaces on the ground

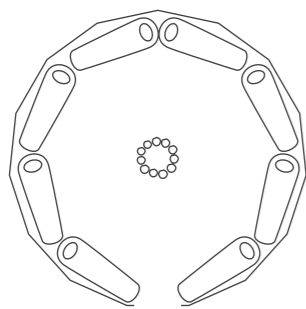


Example with 4 camp beds and stove

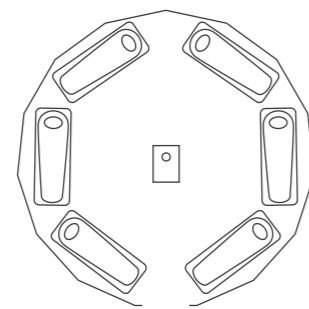


Example with open fire and 8 sitting spaces

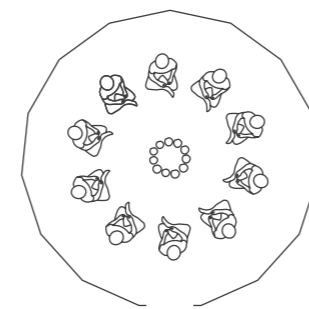
Interior solutions for a 15-20 person lavvo:



Example with stove and 8 sleeping spaces on the ground



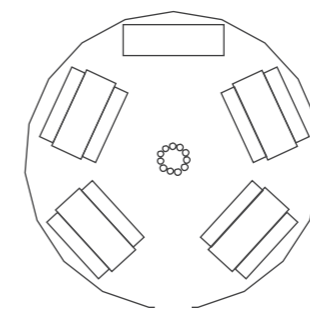
Example with 6 camp beds



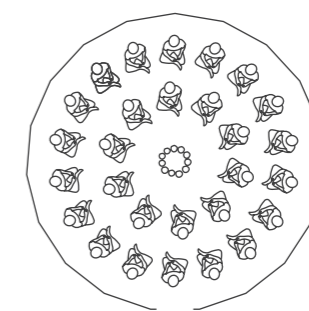
Example with 10 sitting spaces

INTERIOR SOLUTIONS

Interior solutions for a 25-30 person lavvo:

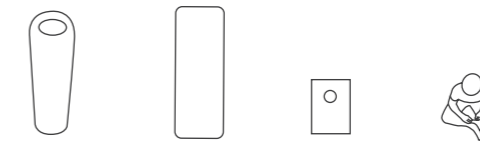


Example with open fire, bar counter, 4 tables and 8 benches



Example with open fire and 28 sitting spaces

Dimensions of various furnishings:



Sleeping bag:

*L: 190 cm
W: 72 cm*

Camp bed:

*L: 200 cm
W: 80 cm*

Stove:

*W: 50 cm
L: 70 cm*

Sitting space:

*Diameter:
53 cm*



VENOR ENSTANGSLAVVO



From
19 390 NOK
incl. VAT

VENOR ENSTANGSLAVVO

This is for those who want a lavvo that is easy to use, sturdy, takes up little space and can be carried over short distances. The Venor Enstangslavvo is robust and can tolerate heating with an open fire. The three largest models have a stovepipe port in the canvas. The lavvo is well suited for all seasons.

A peg set, guyline set and flap for the stovepipe port are included when purchasing the lavvo canvas. The canvas is made of strong, quality cotton and polyester and comes in the following colour choices:



Peach



Grey

SPECIFICATIONS

The canvas is made of 53% cotton / 47% polyester. The canvas is impregnated and mould resistant. Weight: 275 g/m²

| Size | Diameter | Floor area | Height (middle pole) | Weight (complete) | Sitting spaces |
|-------|----------|----------------------|----------------------|-------------------|----------------|
| 1-3 | 330 cm | 8.55 m ² | 225 cm | approx. 11 kg | 4 people |
| 4-6 | 400 cm | 12.56 m ² | 280 cm | approx. 13.5 kg | 8 people |
| 8-10 | 470 cm | 18.9 m ² | 306 cm | approx. 16.1 kg | 12 people |
| 12-14 | 530 cm | 22.1 m ² | 356 cm | approx. 18.9 kg | 16 people |

PRICES

The Venor Enstangslavvo comes complete with pole and canvas. All prices include VAT.

| Size | Complete set |
|-------|--------------|
| 1-3 | 19 390 NOK |
| 4-6 | 22 490 NOK |
| 8-10 | 26 290 NOK |
| 12-14 | 30 590 NOK |

DETAILS

The lavvu comes complete with a rain hat, mosquito hat, mosquito door, interior skirt, guylines and pegs.



The rain hat provides the lavvu with a seal that keeps rain and snow out and the heat inside.



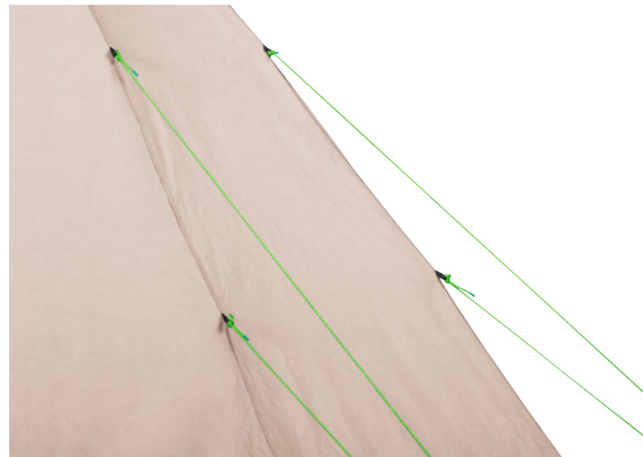
The mosquito hat keeps mosquitoes, midges and other flying insects out, while also providing increased ventilation.



The mosquito door keeps mosquitoes, midges and other insects out. Can be fastened to the sides when it is not in use.



The inside skirt is an extra edge at the bottom of the canvas inside the lavvu, which gives the lavvu a tighter seal.



Comes with a guyline kit and two rows of guyline fasteners making it possible to secure in strong winds.



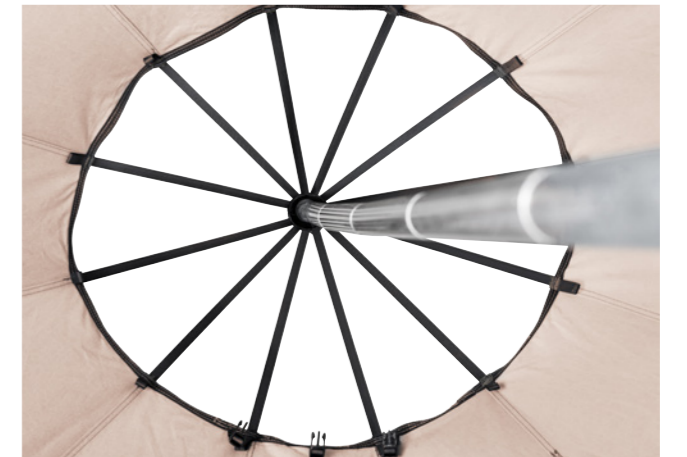
Quality steel pegs keep the canvas in place.

HEATING

The Venor Enstangslavvo is well suited for heating by open fire. The lavvu is ready for use with a stove from size 4-6.



The stovepipe port flap can be opened and closed, and the metal ring protects the canvas from the pipe's heat.



If you want to use an open fire for heating, remove the rain hat for proper ventilation and draw. Adjust the size of the fire to the lavvu's size.

ADDITIONAL EQUIPMENT



Inner canvas

The inner canvas serves as extra insulation against cold in the winter and heat in the summer. Comes in colours white or grey. The canvas is made of 145g of mould-treated cotton and has a synthetic mould-proof edge at the bottom.

| | |
|-----------------------|-------------------|
| Price for size 4-6: | 10 090 NOK |
| Price for size 8-10: | 10 390 NOK |
| Price for size 12-14: | 11 590 NOK |

i The picture shows Venor Lavvo's inner canvas. The Venor Enstangslavvo inner canvas is attached to the outer canvas using clips on the inside.

ADDITIONAL EQUIPMENT



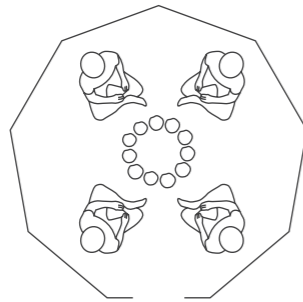
Bottom

The bottom canvas for the Venor Enstangslavvo is made of a strong nylon material and acts as a moisture barrier. Light insulating effect that increases comfort. The bottom comes with a slit that can be opened if you have an open fire in the lavvo.

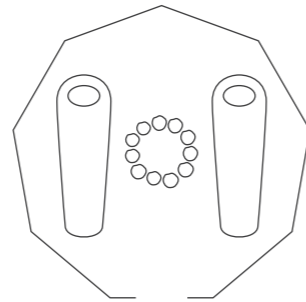
| | |
|-----------------------|------------------|
| Price for size 1-3: | 3 890 NOK |
| Price for size 4-6: | 4 190 NOK |
| Price for size 8-10: | 5 390 NOK |
| Price for size 12-14: | 6 290 NOK |

INTERIOR SOLUTIONS

Interior solutions for a 1-3 person lavvo:

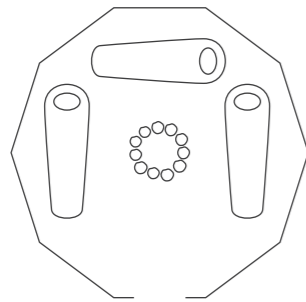


Example with open fire and 4 sitting spaces
4 sitting spaces

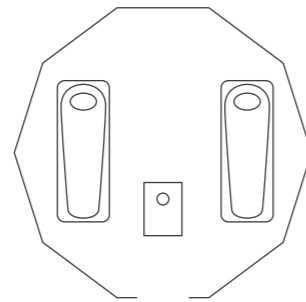


Example with open fire and 2 sleeping spaces on the ground

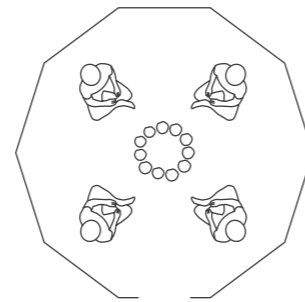
Interior solutions for a 4-6 person lavvo:



Example with open fire and 3 sleeping spaces on the ground

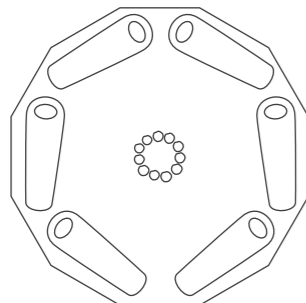


Example with 2 camp beds and stove

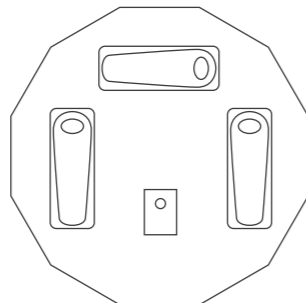


Example with open fire and 4 sitting spaces

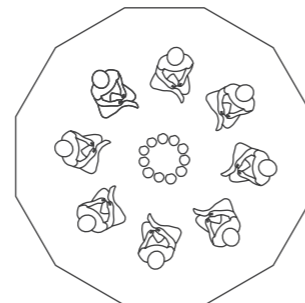
Interior solutions for a 8-10 person lavvo:



Example with open fire and 6 sleeping spaces on the ground



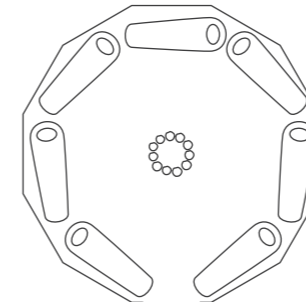
Example with 3 camp beds and stove



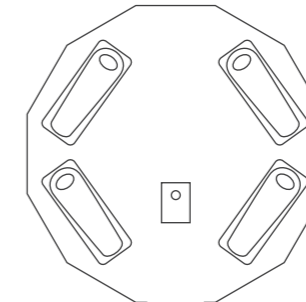
Example with open fire and 8 sitting spaces

INTERIOR SOLUTIONS

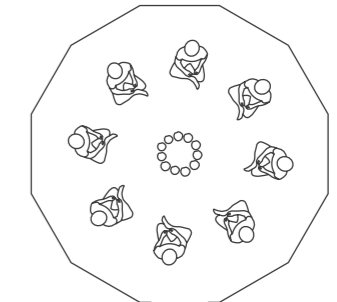
Interior solutions for a 12-14 person lavvo:



Example with open fire and 7 sleeping spaces on the ground

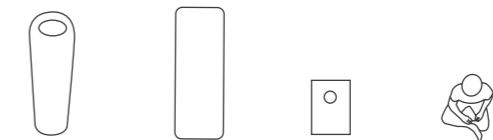


Example with 4 camp beds and stove



Example with open fire and 8 sitting spaces

Dimensions of various furnishings:



Sleeping bag:

*L: 190 cm
W: 72 cm*

Camp bed:

*L: 200 cm
W: 80 cm*

Stove:

*W: 50 cm
L: 70 cm*

Sitting space:

Diameter: 53 cm

From
71 290 NOK
incl. VAT

VENOR STORLAVVO

If you need to accommodate a larger amount of people, the Venor Storlavvo is perfect. The Venor Storlavvo is produced in three different sizes, and it is possible to seat up to 100 people.

We have made sure the traditional character stays in tact, where your guests find a relaxed and cosy atmosphere inside. The lavvo is intended for a permanent campsite and is very well suited for events in connection with weddings, anniversaries, seminars, tourism, dining experiences, storytelling and intimate concerts.

The lavvo can be furnished with benches and tables, pallets or logs with reindeer skins for sitting on or something similar. An excellent addition is to put wooden floors in the lavvo, and we will happily customise our lavvo if needed.

For heating, you can make a grill site in the centre, or we can fit custom stovepipe ports in the canvas so that stove heating is possible. Many also use other types of electric heating when needed.

If desired, we can help with pole delivery and pitching the lavvo. Feel free to call us and discuss possible ways to use the lavvo, various interior solutions, tips and maintenance care. If there is one thing we love, it is talking about our lavvos.



PRICES

All prices include VAT.

| Size | Height | Diameter | Lavvo canvas | Wooden poles | Support ring |
|------|--------|----------|--------------|--------------|--------------|
| 50 | 5.2 m | 8.5 m | 71 290 NOK | 25 200 NOK | 3 690 NOK |
| 80 | 6 m | 10 m | 99 090 NOK | 44 640 NOK | 3 690 NOK |
| 100 | 7.4 m | 11 m | 112 090 NOK | 53 730 NOK | 3 690 NOK |

The Venor Storlavvo is made of strong cotton/polyester canvas, and you can choose between the colours green, natural white and beige.



ARCTIC MINILAVVO

This is a cosy play lavvo intended for outdoor use. The lavvo canvas is made of the same material as our larger lavvos and can withstand heavy use.



Comes with lavvo canvas and 6 pegs. Wooden poles can be ordered as well, or you can make them yourself. The canvas is made of 50% cotton/ 50% polyester and is impregnated and mould resistant. The standing height in the lavvo is approx. 130 cm, and the diameter is approx. 180 cm.

Complete set of wooden poles for the Arctic Minilavvo (6 pcs). The pole length is approx. 220 cm.

WC-LAVVO

Many have probably experienced camping trips out in open country where they have had difficulty finding some privacy when "nature calls". The WC-Lavvo is the perfect little outdoor toilet that you can pitch near your campsite so you don't have to take long walks to find a suitable spot.

The WC-Lavvo is simple to use, takes up little space and is intended for use with a camping toilet. There is a practical toilet roll holder inside the lavvo. The canvas is made of strong, quality cotton and polyester and comes in the following colour choices:



Beige

Natural white

Green



ACCESSORIES



Riggi

Riggi is a traditional Sami hanging system for pots and kettles over open fires, mainly used in a traditional lavvo. Riggi is attached around where the poles come together at the top and has hooks at the lower end for adjusting the height over the fire. In our largest lavvos, we recommend attaching Riggi on a cross pole instead of at the top where the poles intersect.

Price 3m: **520 NOK**
 Price 4m: **690 NOK**



Rakkas (sleeping tent)

Rakkas is a sleeping tent that has been used by Sami for hundreds of years. It is made of cotton fabric with mosquito netting along the sides for ventilation. It helps against the cold during the winter and keeps the insects away during the summer. Rakkas does not have a bottom for safety reasons, but it is long enough so that you can fold it under the sleeping pad if you wish. You can attach it to the poles or to the inner loops of the canvas.

Size, L x W x H: 260 x 160 x 210 cm.
 Available in colours grey or white.

Price: **2 490 NOK**



Embroidery

How about making your canvas more personal or featuring your company name or logo? We can embroider names, logos or slogans in the canvas.

Max. size H x W: 34 x 3 cm.

Name embroidered on flap: **690 NOK**
 Logo embroidery: **2 890 NOK**



Pot bracket for the Venor Enstanglavvo

For hanging pots, kettles, etc. over the fire.

Price: **450 NOK**



Storage pocket

The storage pocket is convenient for keeping track of things like phone, books, tablets, keys, maps/GPS devices and the like. Comes in the following colours: beige, natural white and green.

Price: **350 NOK**



Kitchen roll holder

Practical kitchen roll holder that can be easily mounted with cord fasteners. *Kitchen roll not included.*

Price per unit: **390 NOK**



Set of standard pegs and storage bag

Our products come with standard pegs included.
Length: 30 cm.

10 pcs: **290NOK** 15 pcs: **435NOK** 20 pcs: **580NOK**



Set of T40 pegs and storage bag:

A stronger peg that can tolerate being driven into rocky earth

Length: 40 cm.

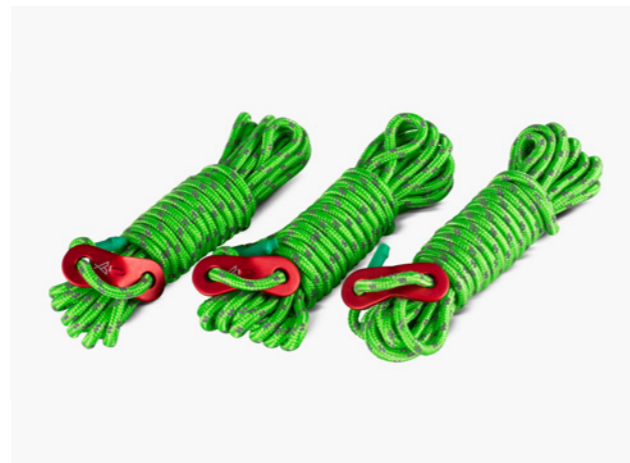
10 pcs: **630NOK** 15 pcs: **945NOK** 20 pcs: **1260NOK**



Canvas impregnation

For post-impregnation of lavvo/canvas. Can also be used for awnings and boat covers. Protects the fabric from moisture damage and acid rain.

Price 5L: **1450 NOK**



Guylines

Guylines are used for extra stability against strong winds. The guylines are 4 metres long and come in packs of three. **Colour:** Lime green with reflection.

Price per guyline: **69 NOK**



Set of snow pegs and storage bag:

The snow pegs are long and their shape enables them to get a better grip in snow than regular pegs.

Length: 50 cm

10 pcs: **480NOK** 15 pcs: **720NOK** 20 pcs: **960NOK**



TECHNICAL DETAILS



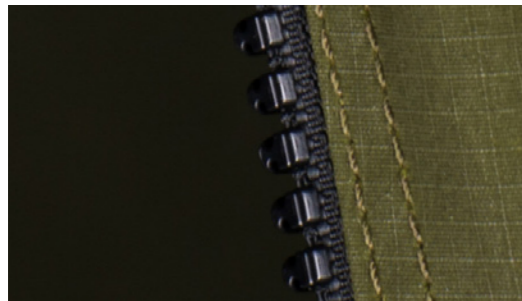
CANVAS:

All our canvases are made of cotton and polyester blends that are water-repellent and mould resistant.



SEAMS/TAPED SEAMS:

Our seams are double sewn with mould resistant and water-repellent sewing thread. In addition, all exposed seams are taped to prevent leaks and water penetration.



ZIPPERS:

We only use YKK zippers. YKK is world famous and is a quality brand you can trust.



IMPREGNATION:

The canvas is water-repellent and mould resistant and comes from the factory fully impregnated. The impregnation lifetime depends on climate and usage. Our experience is that canvas has a shorter lifetime in harsh areas near the coast, where salt spray, high humidity and a lot of "weather" is the rule, as opposed to a drier, inland climate.

For maintenance, we recommend hosing down the canvas, drying it off and then impregnating the canvas well. Contact us for further tips on maintenance and if necessary for impregnation.

TECHNICAL DETAILS



MOULD-PROOF EDGE:

The lower edge of the canvas/mould-proof edge is made of a synthetic material that protects the fabric against mould damage.



DOOR

The door opening consists of a strong zipper with a flap over. The flap protects the zipper from rain and frost.



PEG FASTENERS:

There are adjustable peg fasteners in each seam to secure the lavvo/gamme to the ground and tighten the canvas.



GUYLINE FASTENERS

There are external guylines fasteners for extra stability (applies to all models except Venor Tradisjonell Lavvo and Venor Storlavvo).

LOOPS

There are internal loops in each seam for fastening the inner canvas, storage pockets, drying line, mosquito nets and rakkas (sleeping tent).



General purchase conditions

Prices as of January 1, 2023. All prices incl. 25% VAT in NOK. Shipping charges come in addition. We can ship to most countries. Please contact us for more information and offers on shipping. In most cases, the price is between NOK 1,000-4,000.00 (price without VAT) for a complete Venor Lavvo or Venor Gamme, but we reserve the right to check the price for each shipping request.

Returns

We want to assess the right of cancellation in each case, as the products we supply are manufactured according to our customers' wishes and requirements. The right of cancellation assumes that the

product has not been used or damaged. Otherwise, we refer to the Consumer Purchases Act and see our complete terms and conditions of purchase in our online store. In the event of any manufacturing defects, you have full warranty rights under the Sales of Goods Act.

Delivery time

Normal delivery time for our lavvos and gammes is 3-6 weeks. If you would like speedier delivery on some of the products, please call us and we will help as much as is possible.

We make reservations against any printing errors.



We would like to hear from you!

Did you know that we can also customise our products?
If you have requirements beyond what is shown in the catalogue, we would like to work with you to find the best solution.

Please contact us for ordering or if you have any questions about our products.

Telephone: +47 917 31 283

Email: ordre@arcticlavvo.no

Facebook: [@arcticlavvo](https://www.facebook.com/arcticlavvo)

Instagram: [@arcticlavvo](https://www.instagram.com/arcticlavvo)

www.arcticlavvo.com