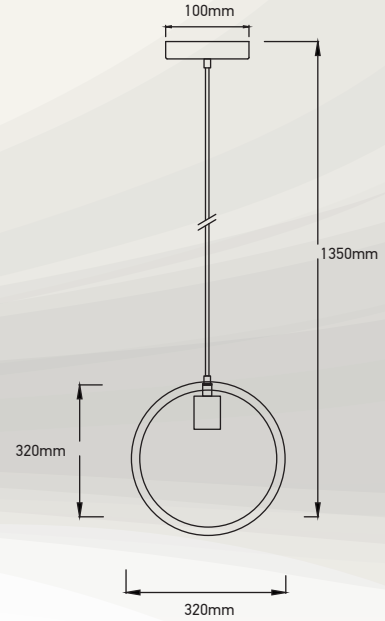


**GEOMETRIC** SERIES



**VT-7322**  
Matt Black  
SKU 3836

Model No.	VT-7322
Max.Watt:	60W
Input Voltage:	AC 220-240V,50Hz
Holder:	E27
Material:	Metal
Wire Length:	1 MTR
Size:	320 x 320 x 1350mm
EAN Code:	3800157616713

Product features :

- Stylish metallic series available in different geometrical shapes in champagne gold & matt black colors.
- Easy to install.
- Suitable for E27 base, up to 60W applicable.
- Input voltage required of 220-240V.
- Suitable for residential lighting, hotels, restaurants, office, commercial lighting and similar environments.