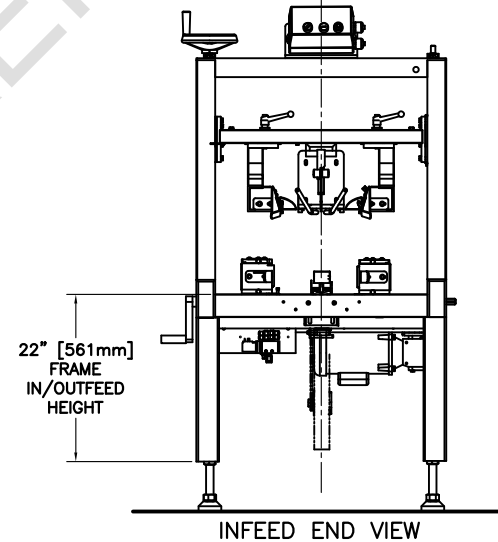
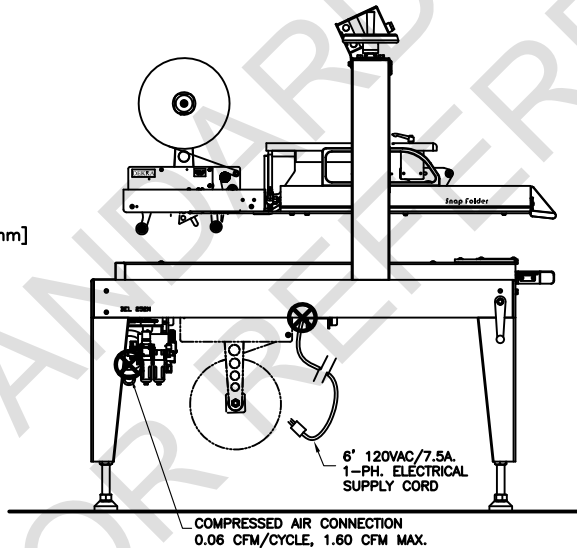
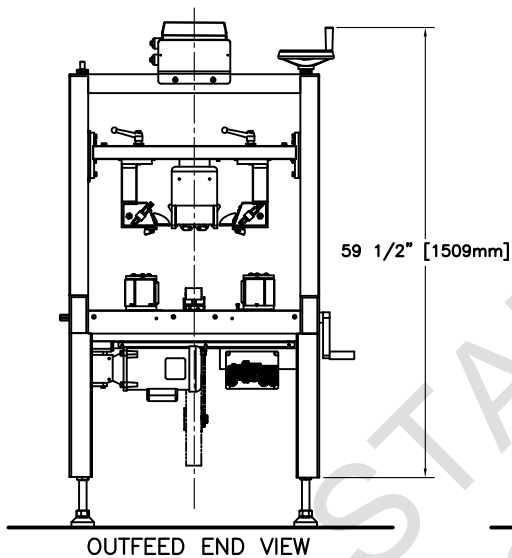
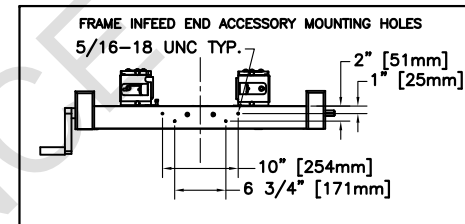


← PRODUCT FLOW



THE INFORMATION CONTAINED IN THIS DRAWING IS THE SOLE PROPERTY OF WEXXAR PACKAGING MACHINERY INC. - BELCOR INDUSTRIES DIVISION. ANY REPRODUCTION IN PART OR AS A WHOLE WITHOUT THE WRITTEN PERMISSION OF WEXXAR PACKAGING MACHINERY INC. IS PROHIBITED.

REV	DESCRIPTION	DATE	BY	APPROVED
03	UPDATE LEG EXTENSION OPTION DIM.	17-12-19	PV	
02	ADD SERVICE REQUIREMENTS	12-07-09	PV	
REV	DESCRIPTION	DATE	BY	APPROVED
REVISIONS				

MATERIAL-ALUM. FRAME

SIZE:
CODE: Z56-1855

ALL DIMENSIONS IN INCHES.
DO NOT SCALE DRAWING
(2D DRAWING)

TOLERANCE.X ±.015
.XX ±.010
.XXX ±.005
FRACT. ±1/32

MODEL: 252 V.03

DRAWN BY: PRV

FINISH: ANODIZED

COLOR: CLEAR/BLACK

DATE (Y-M-D): 12-01-18

APPROVED BY:



WEXXAR PACKAGING INC.

TITLE: BEL 252N [V.3] AUTOMATIC CASE TAPE SEALER

DWG No: 75-962 REV: 03