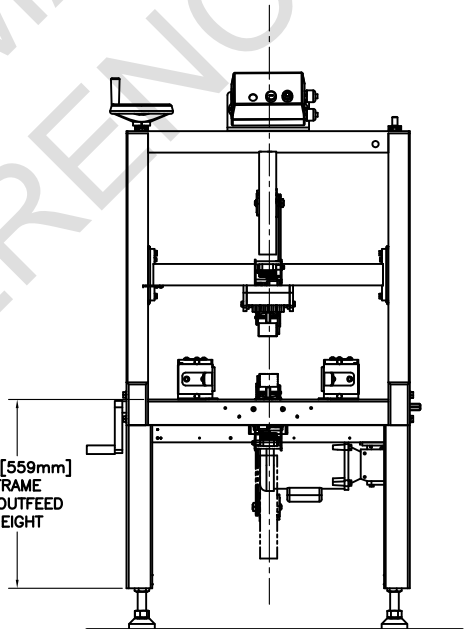
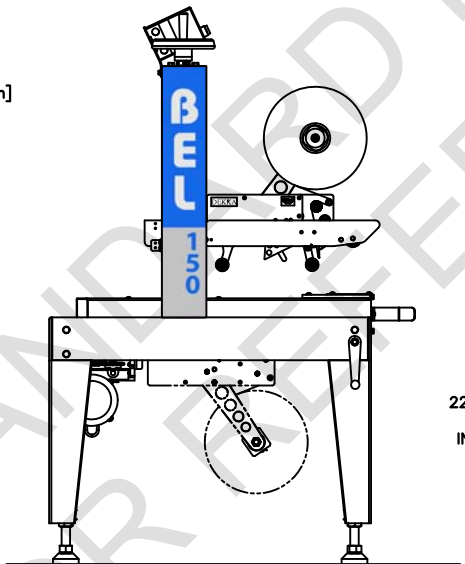
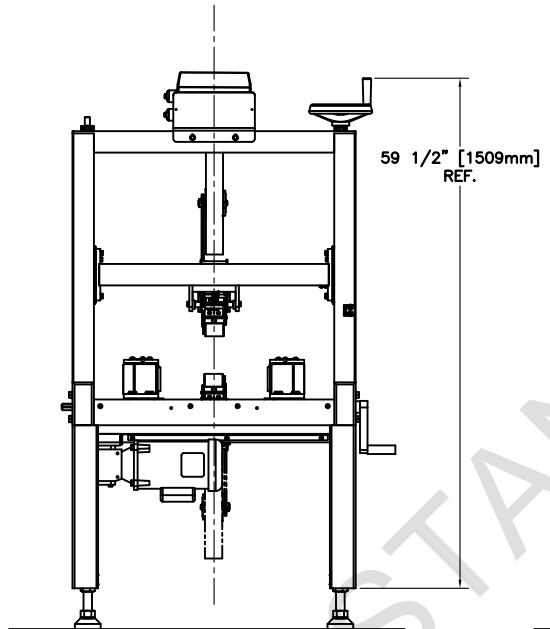
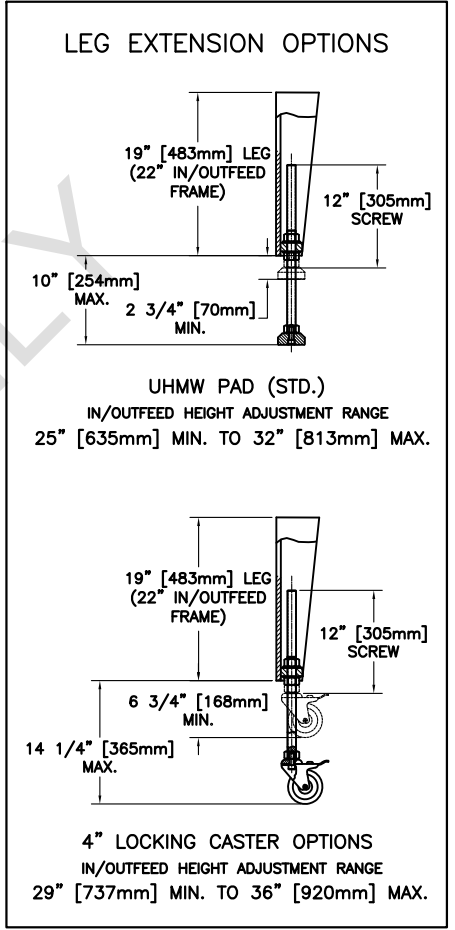


← PRODUCT FLOW



OUTFEED END VIEW

LEFT SIDE VIEW

INFEEED END VIEW

REV	DESCRIPTION	DATE	BY	APPROVED
03	UPDATE LEG EXTENSION MIN./MAX. HT.	17-12-19	PV	
02	MINOR CORRECTIONS, 'N' DESIGNATION	11-10-28	PV	
REVISIONS				

THE INFORMATION CONTAINED IN THIS DRAWING IS THE SOLE PROPERTY OF VEXXAR PACKAGING MACHINERY INC. - BELCOR INDUSTRIES DIVISION. ANY REPRODUCTION IN PART OR AS A WHOLE WITHOUT THE WRITTEN PERMISSION OF VEXXAR PACKAGING MACHINERY INC. IS PROHIBITED.			
MATERIAL: ALUM. FRAME		ALL DIMENSIONS IN INCHES. DO NOT SCALE DRAWING (2D DRAWING)	
SIZE: CODE: Z56-1746		TOLERANCE: .XX ±.010 .XXX ±.005 FRACT. ±1/32	
FINISH: ANODIZED		MODEL: DRAWN BY:	
COLOR: CLEAR/BLACK		DATE (Y-M-D): 11-06-16	
APPROVED BY:		DWG No: 75-924	

VEXXAR PACKAGING INC.
BEL 150N [V.02] SEMI-AUTO TOP & BOTTOM CASE SEALER

DWG No: **75-924** REV: **03**