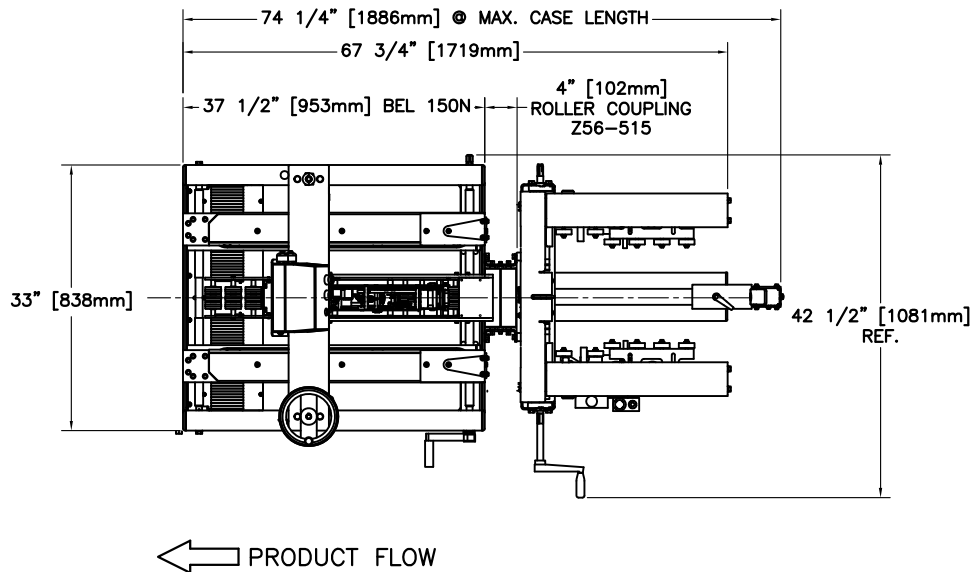
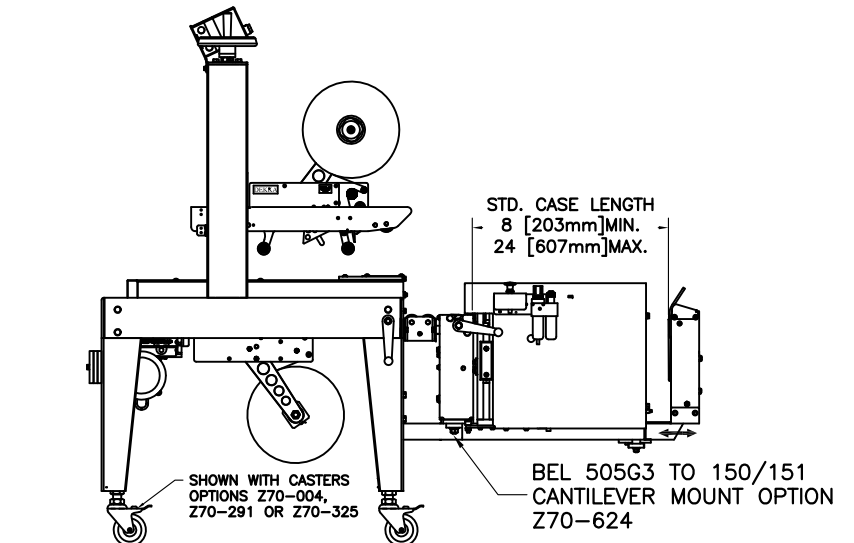
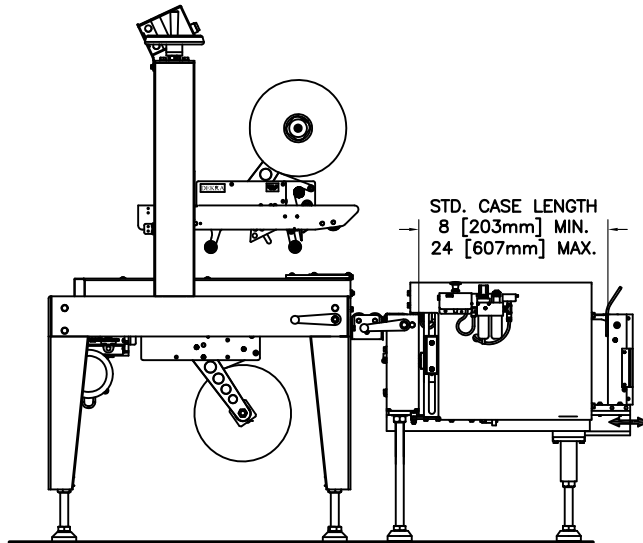
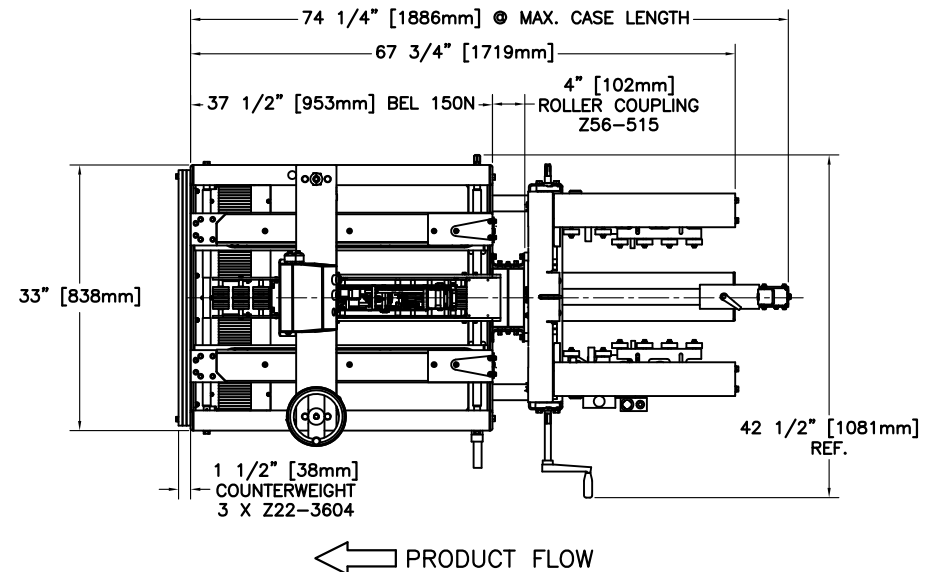


STANDARD MACHINES COUPLED WITH KIT Z70-229



BEL 505 G3 MOUNTED ON SEALER FRAME USING KIT Z70-624



02	MT BKT Z70-624 CORRECTED UPDATE	19-1-17	PV
REV	DESCRIPTION	DATE	BY APPROVED
REVISIONS			

THE INFORMATION CONTAINED IN THIS DRAWING IS THE SOLE PROPERTY OF WEXAR PACKAGING MACHINERY INC. - BELCOR INDUSTRIES DIVISION. ANY REPRODUCTION IN PART OR AS A WHOLE WITHOUT THE WRITTEN PERMISSION OF WEXAR PACKAGING MACHINERY INC. - BELCOR INDUSTRIES DIVISION IS PROHIBITED.

MATERIAL:	INDIVIDUAL LAYOUTS:	ALL DIMENSIONS IN INCHES. DO NOT SCALE DRAWING (2D DRAWING)	TOLERANCE .X ±.015 .XX ±.010 .XXX ±.005 FRACT.: ±1/32
SIZE:	BEL 505 G3 - 75-561	MODEL: BEL 505G3/150N	DRAWN BY: PV
CODE:	BEL 150N - 75-924	FINISH:	-
	COLOR:		-
	DATE (Y-M-D):	13-07-17	APPROVED BY:

**wexar** BELCOR INDUSTRIES DIVISION  
WEXAR PACKAGING MACHINERY INC.

TITLE: **BEL 505G3 / BEL 150N V.02**  
**COMBINED LAYOUT**

DWG No: **75-1112** REV: **02**