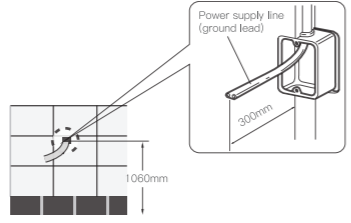


## Install Method

**1**

### Connect the line

- When installing unit without terminal box, you should install above the right side of dryer with two-hole standard outlet corresponds to unit. The distance should be 20–50cm.
- Please embed terminal box without cover in the installation location when directly connecting power cord is needed. Otherwise power cord will be forced out of body and can not be properly installed.



**2**

### Shell remove

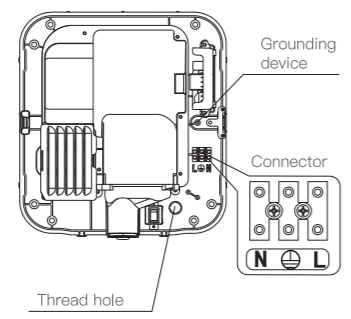
- Using allen wrench from accessories bag to remove 2 countersunk screws from body shell.
- Pull the shell upward by hands to remove.
- ⚠ Keeping the shell carefully avoiding scratching.



**3**

### Unit installation

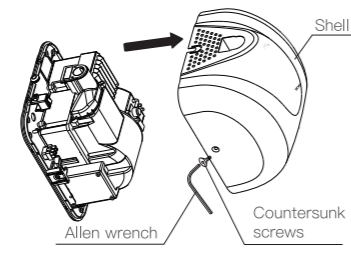
- As figure showed, the unit to be fixed on the wall by screws. The unit has been equipped with a power cord. If needing terminal box for installation, the power cord must be removed. As figure showed, poking the thread hole of terminal box by screw drivers, wire drawn out through thread hole to the terminal blocks to connect.
- ⚠ When connecting, the wire length should exceed 2cm to terminal block. Fire line must be connected at L position of terminal blocks, null line connected at N position, earth line connected at ⊕.



**4**

### Shell installation

- Tighten the 2 countersunk screws on the shell.



## Test Run

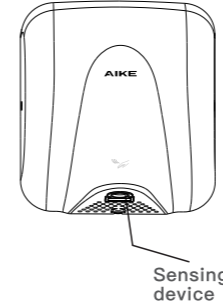
	Steps	Confirm information	Check & Notice
1	Shake the unit gently	The unit is installed firmly without shaking	It will occur shaking and noisy when the unit doesn't install firmly
2	Confirm the power and voltage	Please use the rated voltage	It will burn out unit or cause human accidents if the power use incorrect
3	Switch on the power	Close external power supply switch or insert the power plugs	Power socket must be match the unit plug please check the power when the indicator light not bright
4	Slid in your hands to drying	High speed wind blow out	Please confirm whether your hands are far away from the sensor parts if there is no wind blowing out

## Daily Use and Maintenance

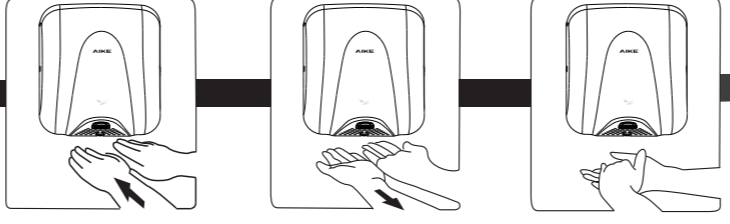
**1**

### External Maintenance

- ⚠ Screw with a soft dry cloth or towel Sassafra. Please use neutral detergent. Please don't use organic solvents, acid or alkali toilet cleaner, cleaning brush etc.
- ⚠ Otherwise, the unit will destroy unit surface finish or produce discoloration.
- ⚠ If using a chemical cloth, make sure that the use of attention.



**2**



Slowly moving up the back of the hand before and after

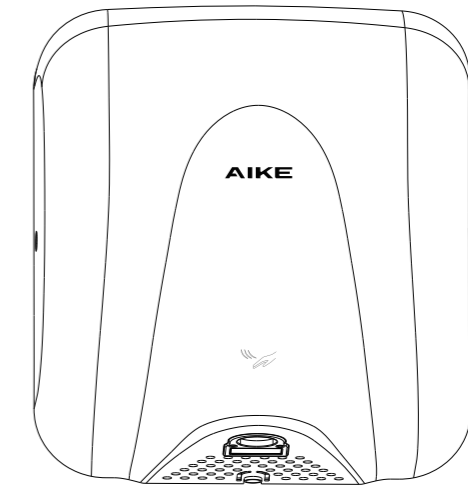
Palm of the hand before and after slowly moving upwards

Mutual hands

# AIKE

## Stainless Steel Hand Dryer | AK2811

# User Manual



Importer: Zhejiang Aike Appliances Co., Ltd.

Manufacturer: Zhejiang Aike Appliances Co., Ltd.

Yong'an Industry Zone, Xianju, Taizhou City, 317306 Zhejiang, China

Official website: [www.aike.com](http://www.aike.com)


E-Mail: [support@zjaike.com](mailto:support@zjaike.com)



## Specifications

Rated Voltage	AC100-130V	Motor	Brush Motor
Phase	Single-phase	Sensing Distance	15-20cm
Input Power	1200-1450W	Waterproof	IP13
Air Speed	70m/s	Dimensions	297x198x322mm
Heating Power	800-950W	N.W	4.2kg

## WARNING



**Warning**

If you don't use this unit properly or follow the safety guidelines carefully, it would lead to serious personal injury or property damage.

**Prohibited**

- Do not let children hang on the unit. Otherwise, this may be risk of falling.
- Do not open the front panel. Otherwise, it may cause electric shock risk.

---

**Do not spray water**

- Do not splash water. Otherwise, it may cause electric shock risk.

---

**Prohibit the use in bathrooms and showers**

- Do not use in places where water is directly splashed or in places where it is prone to freezing. Otherwise, this may cause electric shock and unit malfunction.

---

**Prohibit disassembling**

- Do not reform and perform unnecessary disassembling. Otherwise, it may cause fire, electric shock and injury accidents.

---

**Please follow with instruction**

- Rated power is required.
- If power tolerance is over +/-10%, there will be breakdown.
- If using incorrect power supply, fire, electric shock and machine malfunction will happen.
- Please use dedicated socket.
- If used in combination with other appliances, it may cause abnormal heat in the shunt outlet.
- Power must be turn off during maintenance to prevent the risk of electric shock. Air filter must be installed.
- If the unit doesn't work or have abnormal conditions, please turn off power to prevent accidents; and close leakage circuit breaker and ask supplier to check and repair, or it may lead to fire because of electricity leakage and short circuit.
- Unit must have reliable ground connection.
- Attention when installation: Do not install when the unit are power connected.

---

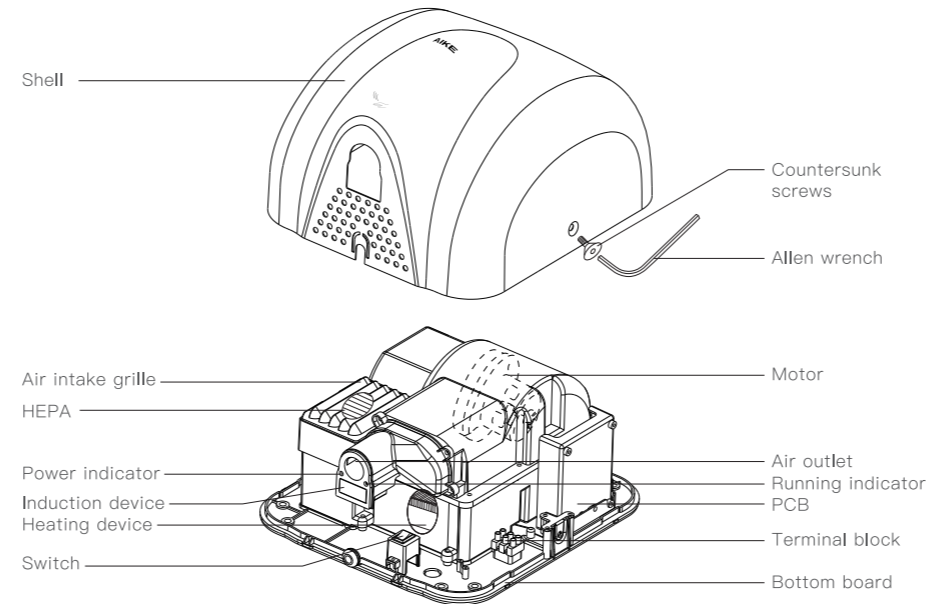
**Warning**

- This appliance is not intended for use by persons (including children) with reduced physical, sensory or mental capabilities, or lack of experience and knowledge, unless they have been given supervision or instruction concerning use of the appliance by a person responsible for their safety.
- If the cord is damaged, it must be replaced by the manufacturer, its service agent or similarly qualified persons in order to avoid a hazard.
- For additional protection, the installation of a residual current device (RCD) having a rated residual operating current not exceeding 30mA is advisable in the electrical circuit supplying the bathroom. Ask your installer for advice.
- This appliance can be used by children aged from 8 years and above and persons with reduced physical, sensory or mental capabilities or lack of experience and knowledge if they have been given supervision or instruction concerning use of the appliance in a safe way and understand the hazards involved. Children shall not play with the appliance. Cleaning and user maintenance shall not be made by children without supervision.

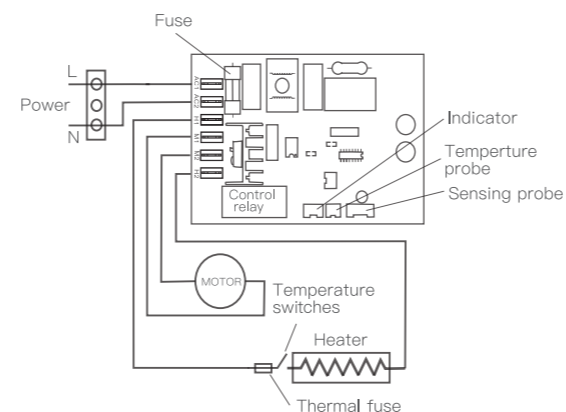


- Environmental protection  
Waste electrical products should not be disposed of with household waste. Please recycle where facilities exist. Check with your local authority or retailer for recycling advice.

## Name of Each Part



## Electrical Diagram



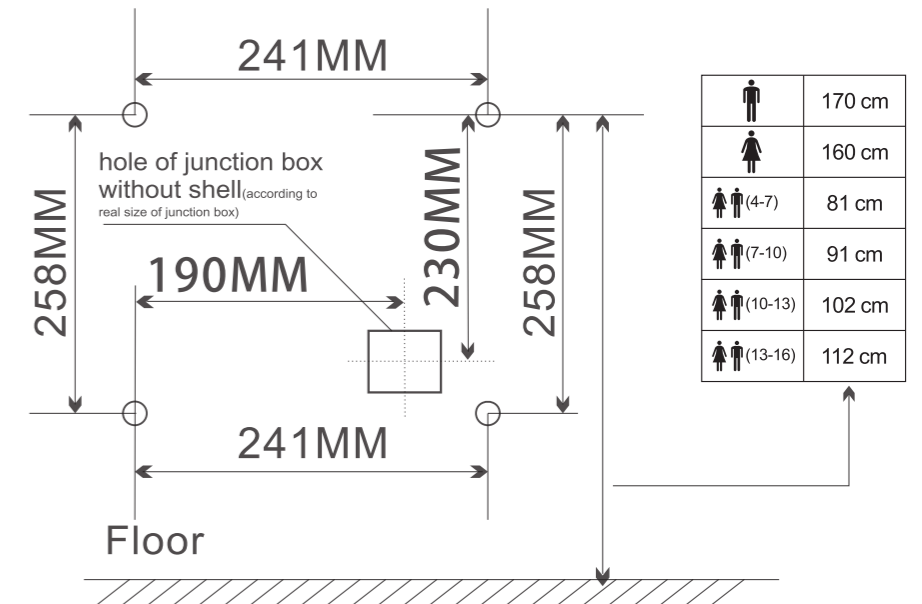
## Precautions before Installation

■ Do not install in the following places (Otherwise may cause malfunction).

- Place with temperature below -10 °C or over 40 °C
- Place directly sprinkled by water
- Place with direct sunlight, strong light
- Place easy for condensation
- Place filled with corrosive, oxidizing and reducing gas
- Place with altitude over the range of 0 ~ 2000m

■ Installation location

- The following picture shows the recommended location. (If there is floor or obstacles below the unit, the distance between unit and floor or obstacles should be at least 400mm.)
- Keep the right side of unit away from mirror or wall, for the water droplets may splash out when you dry hands. (The distance should be 100mm above.)
- Please avoid the place easy to meet people and easy to encounter doors.
- Please select flat wall to install this product.



• Power cord should be 1.5mm<sup>2</sup>-2.0mm<sup>2</sup>