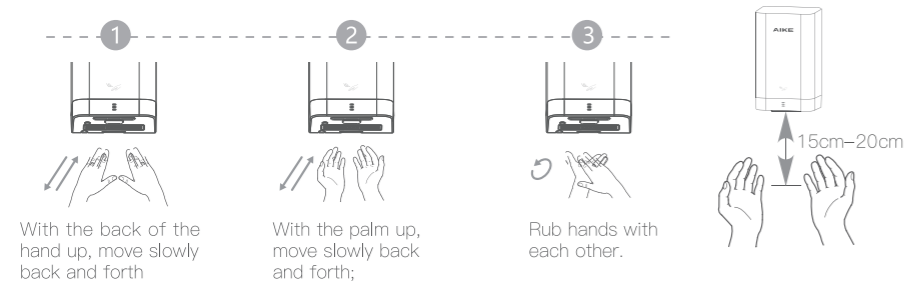


Instruction

1. When the hand is close to 20cm below the air outlet, the machine will automatically start the high-speed wind. When using, you can adjust the distance between your hands and the air outlet by yourself until your hands are dried. After the hand leave the air outlet for about 0.5 seconds, the machine stops working immediately.
2. In order to avoid abnormal startup caused by the object passing through the induction area, the sensor needs to be activated after 0.2 seconds of induction.
3. After the hand dryer runs continuously for more than 45 seconds, it will automatically stop working to avoid the continuous operation of the machine due to other objects attached to the sensor.



Routine Maintenance

Maintenance of the outside of the machine

Wipe with a wrung soft cotton cloth or towel. If it is too dirty, it can be wiped with a cotton cloth moistened with neutral detergent. When removing dirt from the sensor part, turn off the power to avoid malfunction.

- 1 Please use neutral detergents, please do not use organic solvents, Notify after-sales maintenance acidic or alkaline toilet detergents, brushes, etc. for cleaning. Otherwise, the surface finish or discoloration of the machine will be damaged. Only the part where the hand reaches can be cleaned and disinfected with disinfectant alcohol (concentration below 83%).



Sensor cover

- 1 Please do not use alcohol on other surfaces, if using chemical wipes, please confirm the precautions for use.

Cleaning the air filter



Cautions

<p>Prohibited</p>	<ul style="list-style-type: none"> • Do not open the front panel — Otherwise it may cause electric shock risk. • Do not let children hanging on the unit — Otherwise the unit may be risk of falling. • Do not place other items on the machine 	<p>Warning Improper use may result in personal injury accidents.</p>
<p>Prohibited these in bathroom and showers</p>	<ul style="list-style-type: none"> • Do not use in places where water is directly splashed or in places where it is prone to freezing — Otherwise it may cause electric shock and unit malfunction. 	
<p>No sprinkling</p>	<ul style="list-style-type: none"> • Do not splash water — Otherwise it may cause electric shock risk. 	
<p>Prohibition of disassembling</p>	<ul style="list-style-type: none"> • Do not reform and perform unnecessary disassembling — Otherwise it may cause fire, electric shock and injury accidents. 	
<p>Please follow with instructions</p>	<ul style="list-style-type: none"> • Please use rated voltage — If the rated voltage exceeds $\pm 10\%$, the unit will malfunction. It may cause fire, electric shock and unit malfunction if an incorrect power source is used. • Use fixed lines — If used in combination with other appliances, it may cause abnormal heat in the shunt outlet and cause fire. • Power must be turn off during maintenance — Otherwise it may cause electric shock risk. • It must operated by the professional construction person when install the unit. — Incorrect construction may cause electric shock and fire accidents. • Leakage circuit breaker must be installed — Otherwise it may cause electric shock risk. • If the unit is not working or have abnormal conditions, Please cut off the power supply and turn off the leakage circuit breaker to prevent accidents,then contact the supplier to check or maintenance. — Otherwise it may result in fire accidents due to electric shock, leakage, and short circuit. • If the cord is damaged, it must be replaced by the manufacturer or professional to avoid risk. 	
<p>Warning</p>	<ul style="list-style-type: none"> • Do not install when the product is powered on. • During installation, please select a firm wall for installation, otherwise the machine may fall. 	

Specification

Model	AK2822
Dimensions	154*99*255mm
Net Weight	1.8kg

Rated Voltager	AC110V~	Motor	Brush Motor
Rated Input Power	900W	Sensing Distance	15-20cm
Air Speed	82m/s	Waterproof	IP24
Motor Power	400W	Phase	Single-phase

Importer: Zhejiang Aike Appliances Co.,Ltd.

Manufacturer: Zhejiang Aike Appliances Co.,Ltd.

Yong'an Industry Zone,Xianju,Taizhou City, 317306 Zhejiang,China

Official website: www.zjaike.com

E-Mail: support@zjaike.com

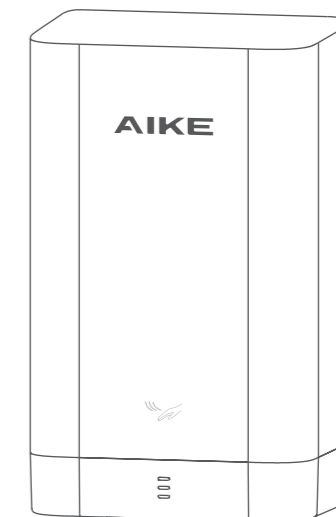


AK-2822-110V-KJYYSMS-001

AIKE

High Speed Hand Dryer | AK2822

User Manual



Troubleshooting

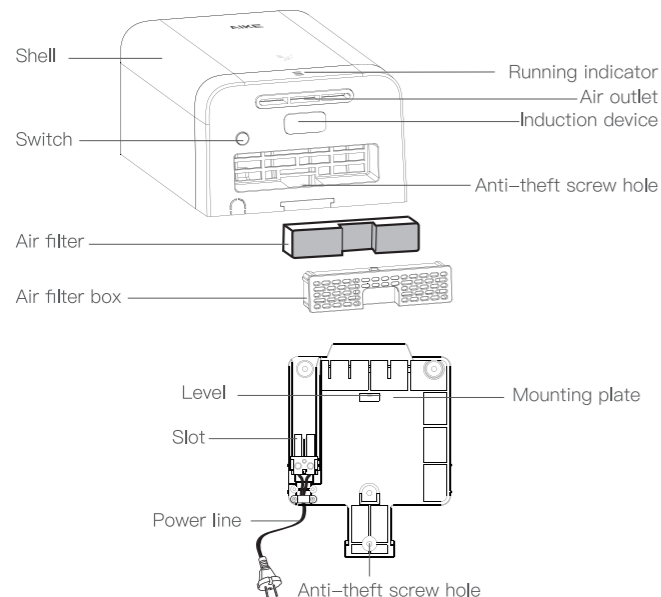
Trouble	Analyze	Solution
The hand dryer does not work	Check the power switch	Turn on the power
	Induction device wire loose	Connect the wires
	Induction device failure	Notify after-sales maintenance
The motor does not work	The motor is damaged/there are foreign objects in the wind wheel	
No warm air	Damaged heating element	When the ambient temperature exceeds 25°C, the heating will automatically turn off.
	Whether the room temperature exceeds 25°C	

Note: This product needs to be repaired by professionals of our company. Repairing the machine without any technical assistance may cause damage to parts or personal injury.

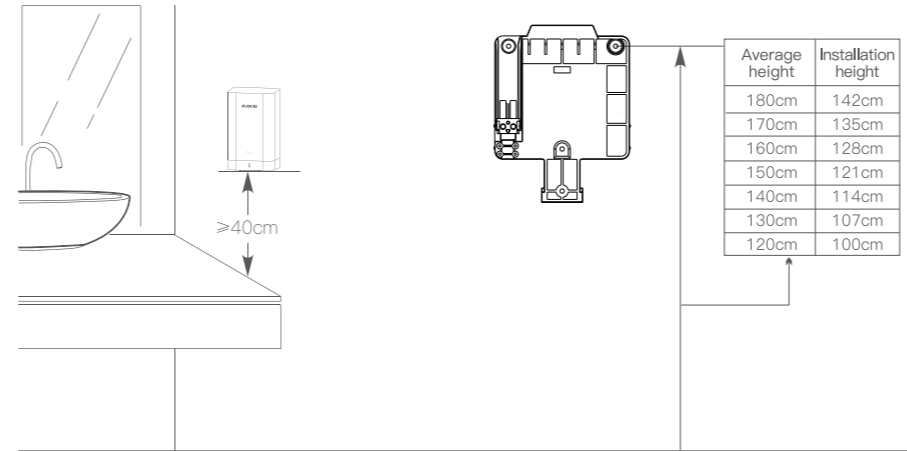
Features

1. The product is designed as "non-contact dry hand" to ensure your hand hygiene.
2. Environmental protection, no need to use towels, paper towels, etc., no garbage.
3. 45 seconds overtime protection, if the machine runs for more than 45 seconds, the machine will automatically stop working and start again when the hand reaches into the sensing area again.
4. Automatic heating system function: when the weather is cold, the heating system is automatically turned on, and when the weather is hot, it is automatically turned off.
5. Switch function: press and hold the ON key to turn the machine on or off. When the machine is turned on, the indicator flashes three times and then the machine enters the normally on standby state. When the indicator flashes three times and turns off, it enters the shutdown state.

Product Introduction



Installation Diagram



Precautions before Installation

Warning

1. The recommended installation location is shown in the figure above. (If there are floors or obstacles under the machine, please ensure that the distance is at least 400mm)
2. There should be no mirror or wall near the right side of the machine, because there are water drops splashing when drying hands. (More than 100mm apart)
3. Please avoid installing in places that are easy to be hit by people or doors.
4. Please select a flat wall for installation.

Please do not install in the following places (otherwise it may malfunction)

1. Places below -10°C or above 40°C;
2. Places that can be directly exposed to water;
3. Places with direct sunlight and strong light;
4. Places prone to condensation;
5. Places with corrosive, oxidizing and reducing
6. Places beyond 0-2000m above sea level;

Packing List

Machine*1	4x25mm Screw*3	4mm Hollow Wall Anchors*3
User Guide*1		

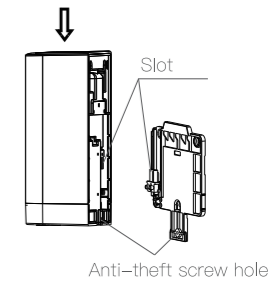
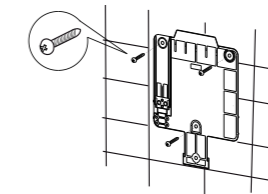
1. Before unpacking and installing for the first time, if there is any discrepancy with the packing list, please contact the local dealer or manufacturer in time.
2. The specifications of some accessories are subject to change without prior notice. For problems that cannot be solved during installation, please contact the dealer or manufacturer in time. The main components are packaged in special bags, please do not collide or rub excessively when handling and unpacking, so as to avoid damage.

Installation Notes



1. Draw out the filter frame, unscrew the anti-theft screw and remove the mounting plate. According to the recommended installation height, find a suitable position on the wall where the hand dryer needs to be installed, stick the mounting plate to the wall, calibrate the levelness with the level on the mounting plate, and then draw the position of the three mounting holes with a pencil.

2. Use a drill to bore 3 holes (φ6mm) according to the marks, put the hollow wall anchors into the corresponding holes.



3. Align the mounting holes on the mounting plate with the hollow wall anchors, and fix the mounting plate on the wall with screws.

4. Align the slot on the back of the machine with the slot on the mounting plate, then slide the machine down to make the machine and the mounting plate stuck, and ensure that the bottom of the machine is flush with the bottom of the mounting plate. Finally screw in the anti-theft screw and replace the filter frame.

Electrical Schematic

