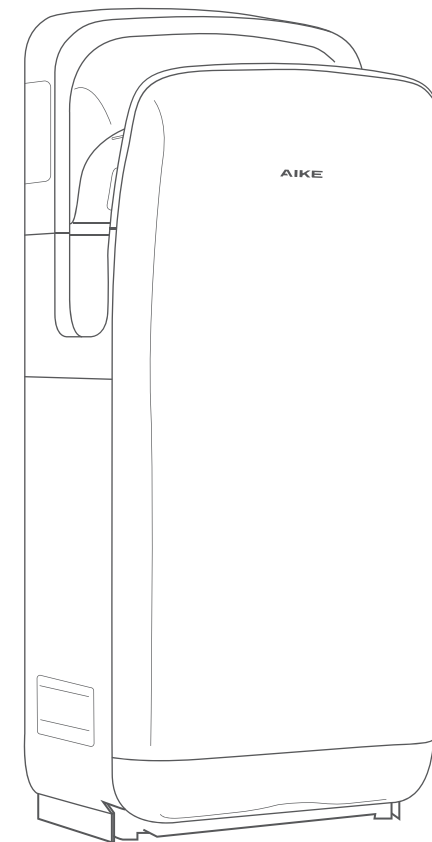


AIKE

Jet Hand Dryer | AK2005H

User Manual



Zhejiang AIKE Appliances Co.,Ltd.
Add: Yong'an Industry Zone, Taizhou, Zhejiang
E-mail: sales@zjaike.com
Tel: 0086-0571-86089873
Website: www.zjaike.com

User Manual

Thank you for choosing the 2005H High Speed Hand Dryer. We are professional on R&D of high-speed hand dryers.








Please read this manual thoroughly before using the unit to ensure safe and correct installation or operation. Please keep this manual in a safe place for reference at a later date.

We hope you enjoy the experience that 2005H brings to you.

Contents

Cautions	2
Instructions	3
Features	3
Method	3
Specifications	3
Parts Name	4
Dimensions	6
Precaution before Installation	7
Installation	9
Test Run	18
Maintenance	18
Troubleshooting	20
Packing List	20
Electrical Schematic	21

Cautions

 Prohibited	<ul style="list-style-type: none"> • Do not open the front panel — Otherwise it may cause electric shock risk • Do not let children hanging on the unit — Otherwise the unit may be risk of falling 	 Warning Improper use may result in personal injury accidents
 Prohibit the use in bathrooms and showers	<ul style="list-style-type: none"> • Do not use in places where water is directly splashed or in places where it is prone to freezing — Otherwise it may cause electric shock and unit malfunction 	
 Do not spray water	<ul style="list-style-type: none"> • Do not splash water — Otherwise it may cause electric shock risk 	
 Prohibition of disassembling	<ul style="list-style-type: none"> • Do not reform and perform unnecessary disassembling — Otherwise it may cause fire, electric shock and injury accidents 	
 Please follow with instructions	<ul style="list-style-type: none"> • Power must be turn off during maintenance — Otherwise it may cause electric shock risk 	
	<ul style="list-style-type: none"> • Please use AC power — If the rated voltage exceeds 10%, the unit will malfunction. It may cause fire, electric shock and unit malfunction if an incorrect power source is used. • Use fixed lines — If used in combination with other appliances, it may cause abnormal heat in the shunt outlet and cause fire. • Drain tank and air filter must be installed before using unit — It may cause leakage or electric shock accidents if water enters the unit. • If the unit is not working work or have abnormal conditions, please cut off the power to prevent accidents; and also to turn off the leakage circuit breaker, and then contact the supplier to check or maintenance. — Otherwise it may result in fire accidents due to electric shock, leakage, and short circuit. 	
 Warning	<ul style="list-style-type: none"> • Attention when installation: Do not install when the unit is power connected. • It must operated by the professional construction person when install the unit. If the construction incorrect, it may cause electric shock and fire accident. • This appliance is not intended for use by persons (including children) with reduced physical, sensory or mental capabilities, or lack of experience and knowledge, unless they have been given supervision or instruction concerning use of the appliance by a person responsible for their safety. If the cord is damaged, it must be replaced by the manufacturer, its service agent or similarly qualified persons in order to avoid a hazard. For additional pertection, the installation of a residual current device (RCD) having a rated residual operating current not exceeding 30 mA is advisable in the electrical circuit supplying the bathroom. 	

Features

High speed air flow, fast dry your hands within 7 seconds.

Intelligent temperature control, according to the ambient temperature automatically turn on or off the heating system, cool in winter and summer dry hands more comfortable.

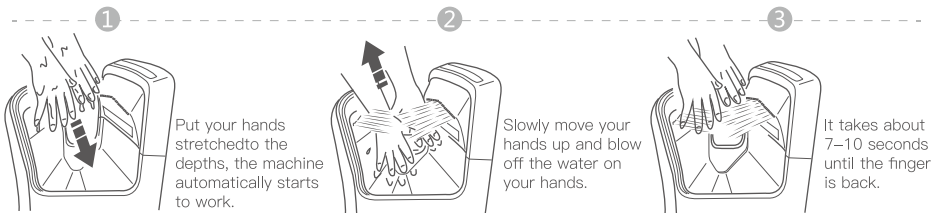
Five safety protection: overtime protection, over-current protection, overheat protection, short circuit protection, motor anti-blocking.

Removable drain tank, keeps the ground clean.

Dual wave – shape outlets enable faster dry and makes lower noise.

Method

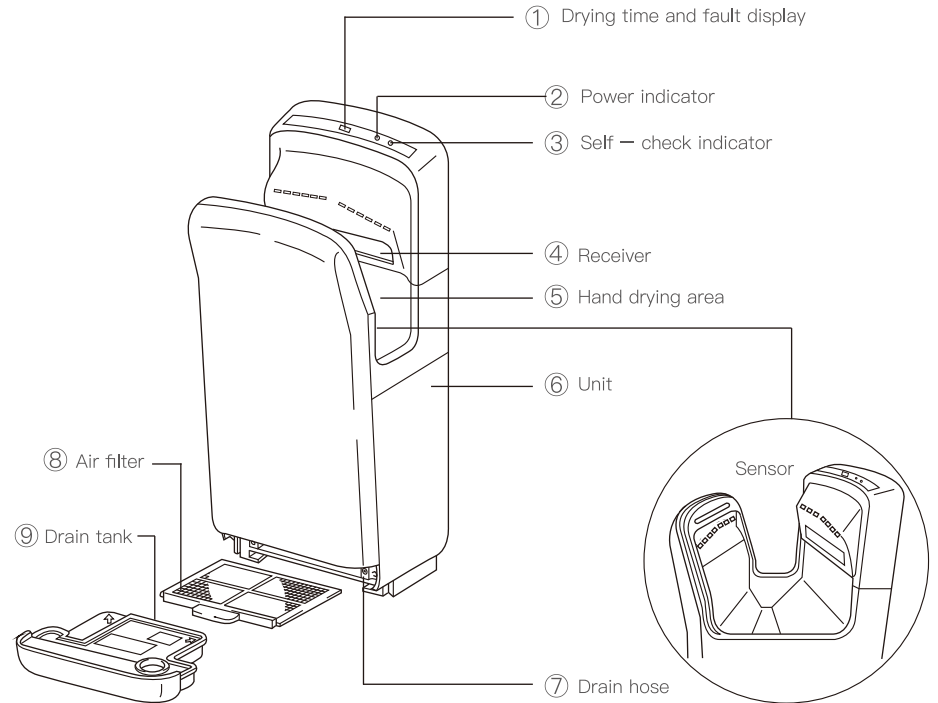
1. Put your hands into the dry hand area, the machine will automatically activate high-speed wind, the user can slowly move up and down until dry their hands. When leaving the outlet for about 0.5 seconds, it automatically cuts off the power and stops working.
2. The unit is equipped with a heating switch. When hot air is needed, please turn on the heating switch.
3. When the hand dryer is continuously working for more than 25 seconds, the power will be turn off automatically to prevent the machine from continuing to operate due to the item attached to the sensor. When the hand reaches into the machine again, the machine starts normally.
4. The unit is equipped with a heating switch. When hot air is needed, please turn on the heating switch.



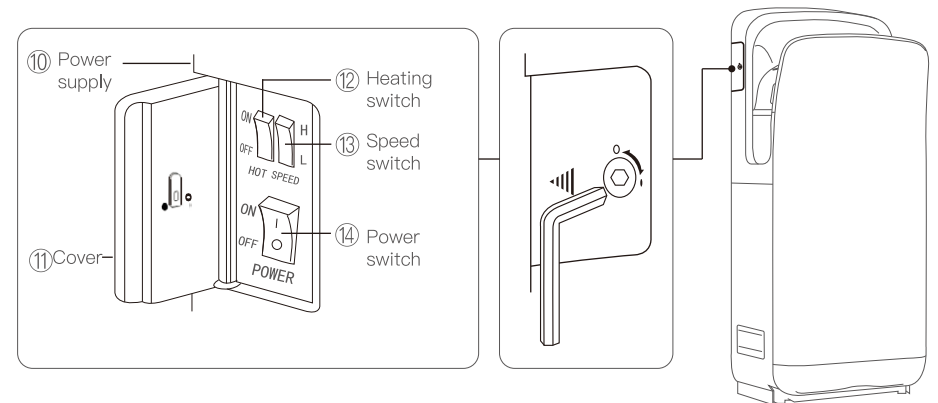
Specifications

Voltage	AC100-130V	Motor	Brush motor
Rated Power	1750-2050W	Motor Power	750W
Dimensions	300 x 220 x 685 mm	Net weight	8.5kg
Air Speed	90m/s	Air Temperature	20-40°C
Waterproof	IP24	Protection Class	Class II

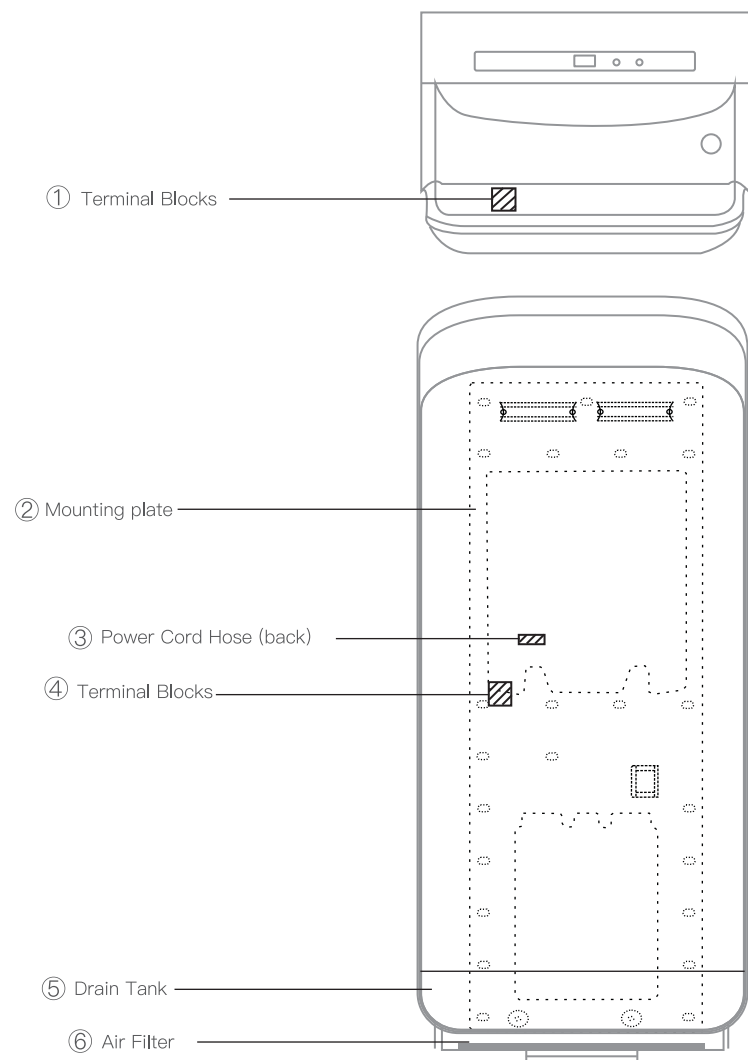
Parts Name



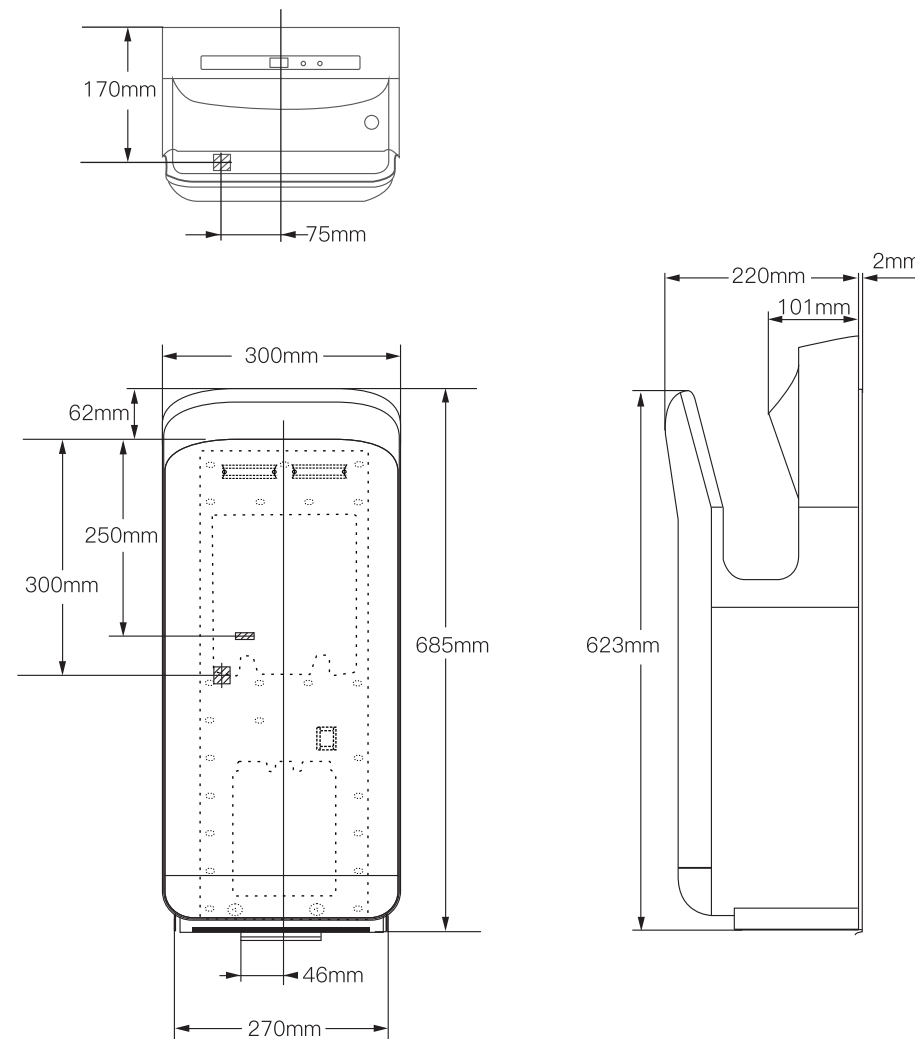
* The meshed part of the figure represents the antibacterial filter section



Parts Name



Dimensions



Precautions before Installation

1. Precautions before Installation

Do not install the product (power cord) with power on.

When installing the unit, it must be select a suitable place and install it by a professional

— Otherwise there is a risk of injury due to falling of the unit

Wear gloves when installing

— You may be injured if you do not wear gloves



Before installation, please make sure that the power supply provided is in accordance with the specifications of the device.

Install a leakage breaker in the process of installing the hand dryer

2. Do not install in the following types of location (Otherwise this may cause malfunction)

Locations where the temperature can exceed -10°C or 40°C .

Locations where the unit may come into direct contact with water.

Locations where the unit is under direct or strong sunlight.

Locations where easy to condensation.

Locations where corrosive, neutral or reductive gases are present.

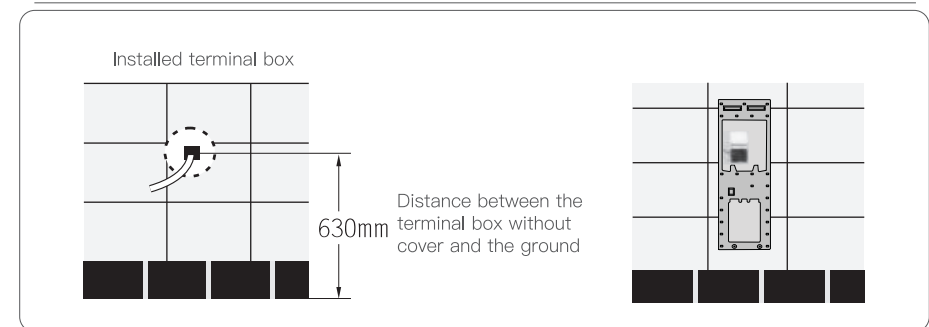
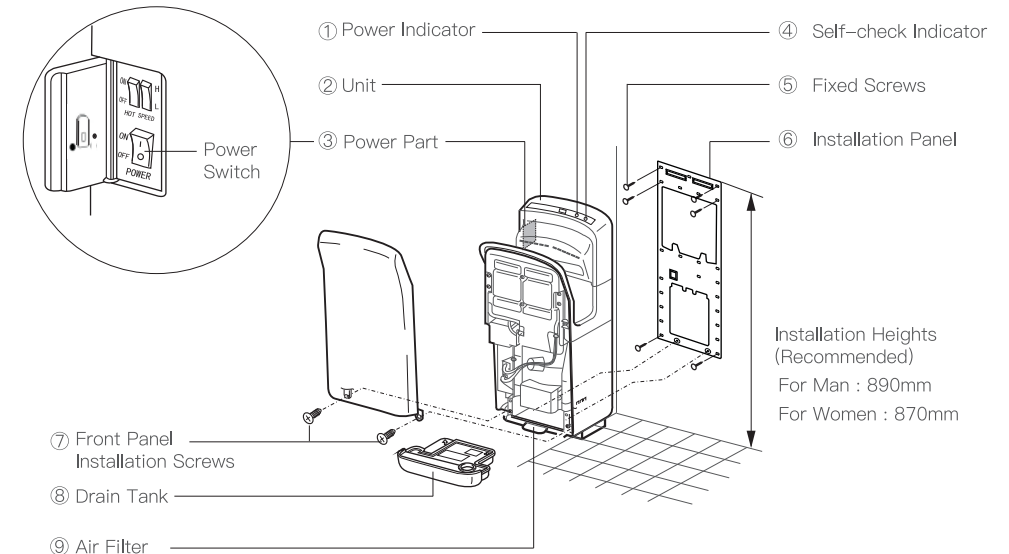
Locations where sea level lower than 0m or higher than 2000m.

3. Installation location

1. Please install the position shown in page 9. If the unit is installed too low, water may get on it when the floor is being cleaned. (The bottom of the unit must be at least 150mm higher than the floor or any objects under it)
2. The left side of the unit must be at least 150mm away from any walls due to the power switch is located on the left.
3. Ensure there are no mirrors or walls near the right side, as drops of water may splatter to the right when drying hands. (Recommended distance is at least 100mm)
4. Avoid locations where people or doors might bump into the unit.
5. Choose a completely flat surface on the wall to install the unit.

Precautions before Installation

If your space is limited and the condition of wall is unsatisfactory, you can purchase an installation panel to install the unit.



Installation Procedures

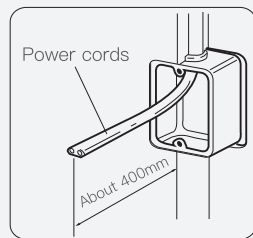
1. Please use single — phase alternating rated voltage supply
(Do not be used with a power supply exceeding rated voltage $\pm 10\%$)

The unit is equipped with a power cord. If replacement is required, please follow the steps below and install it by a professional.

Use a power cord which is between 1.5mm^2 and 2mm^2 thick.

(Cords other than 1.5mm^2 and 2mm^2 single — core cords cannot be used.)

(A drop in voltage is possible if the power cord exceeds 11m in length, so we recommend using a 2.5mm^2 cord))

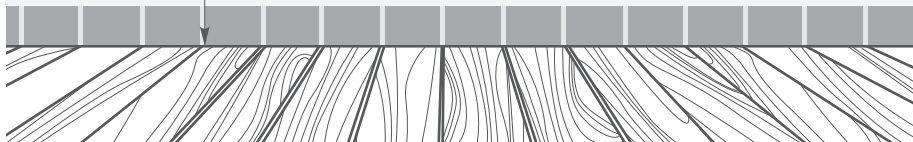


Step One Wire the unit

Embed the switchbox in the installation location
Uncovered switchbox and wire the power cord

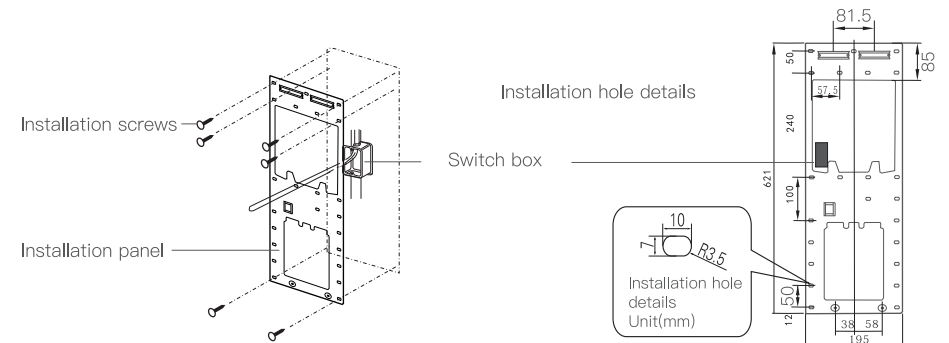
If uncovered switchbox is not used, the power cord will be pushed out the unit.

630mm



Installation Procedures

Step Two Fixed installation board

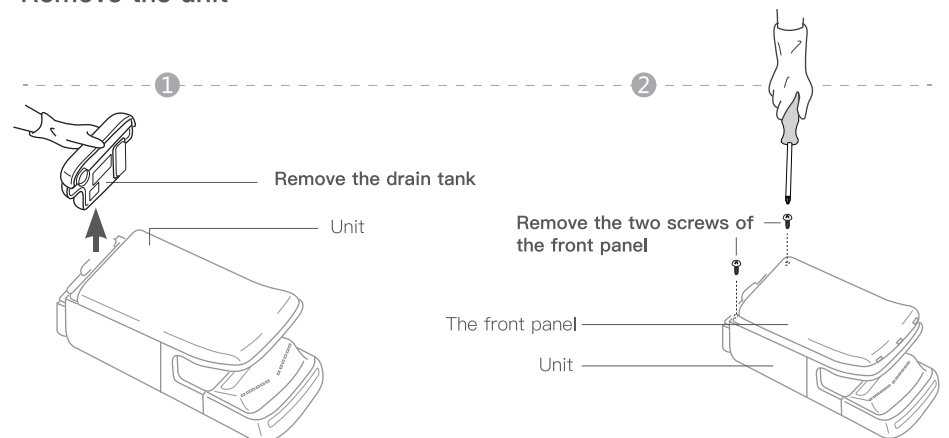


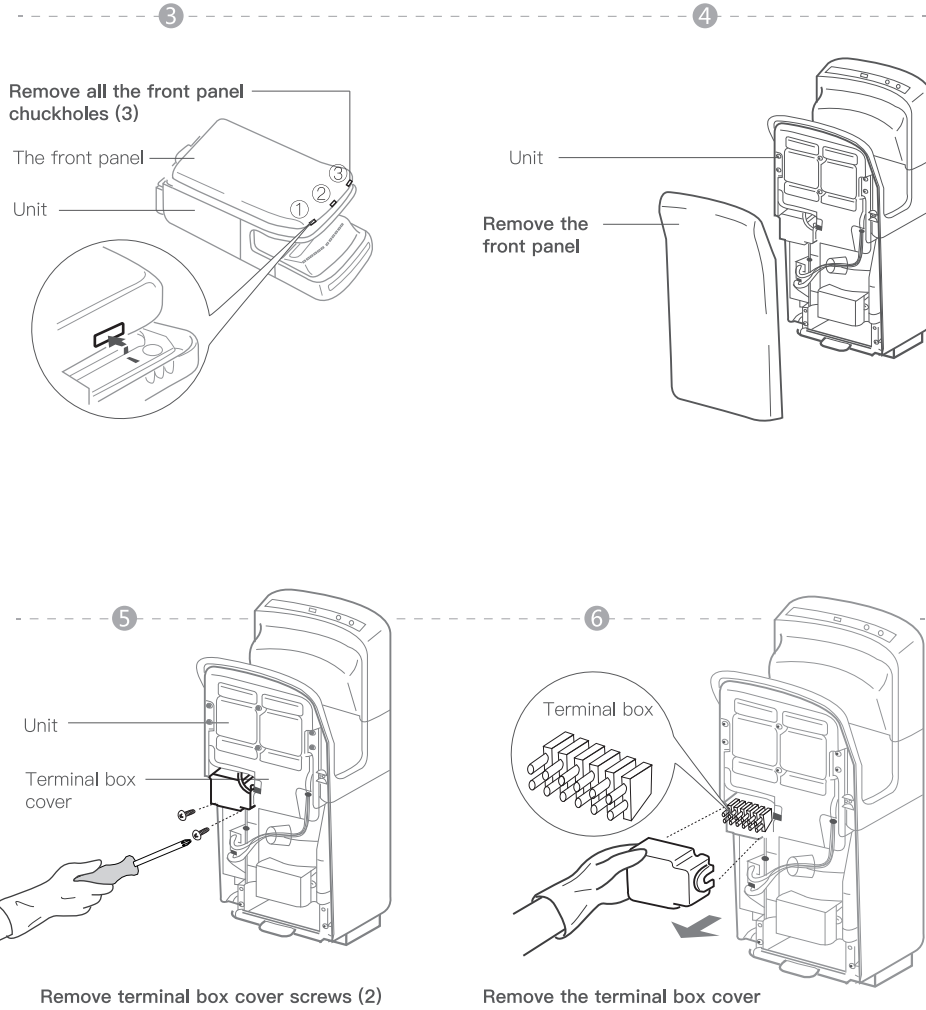
Fix the mounting plate to the wall using the accessories (six installation screws) as shown in the figure.

Concrete wall: Please use accessories (expansion tube, expansion screw, etc.) for installation.

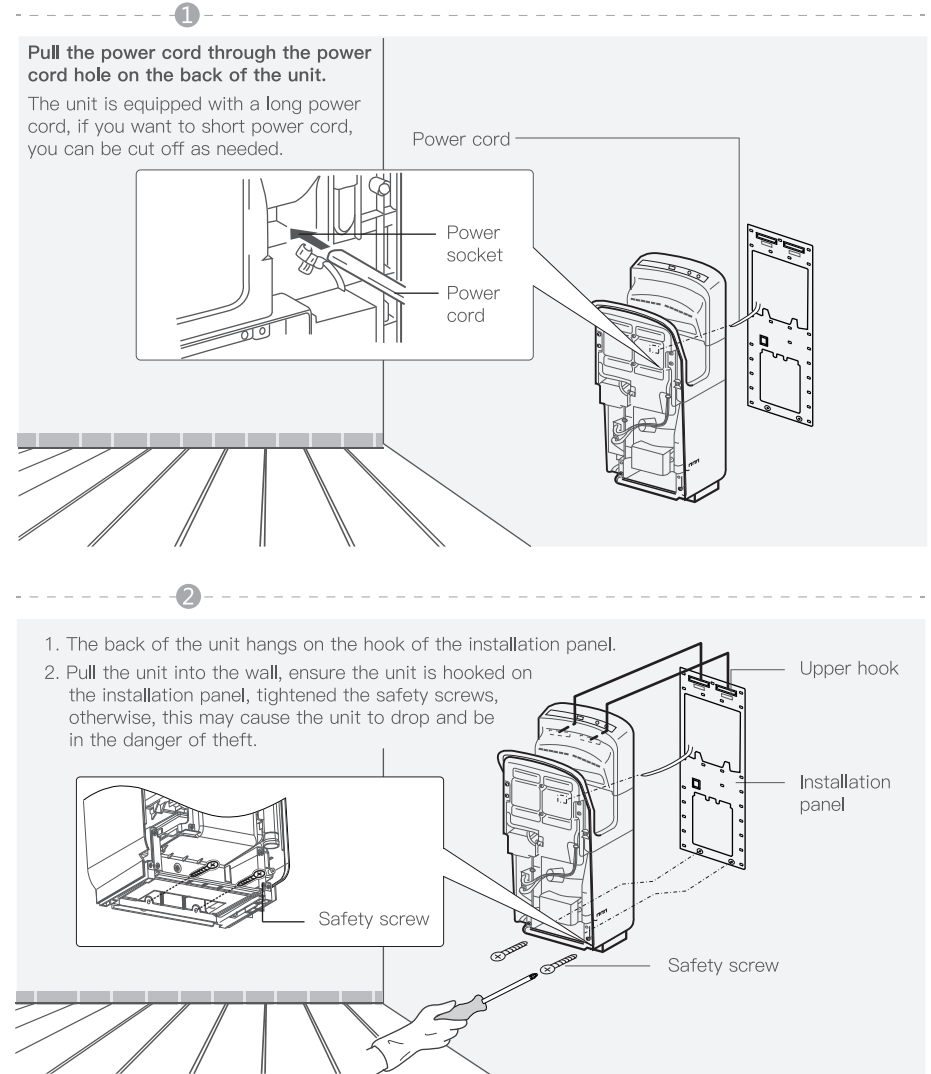
Non-concrete wall: Please reinforce it before installation.

Step Three Remove the unit





Step Four
Fixed the unit



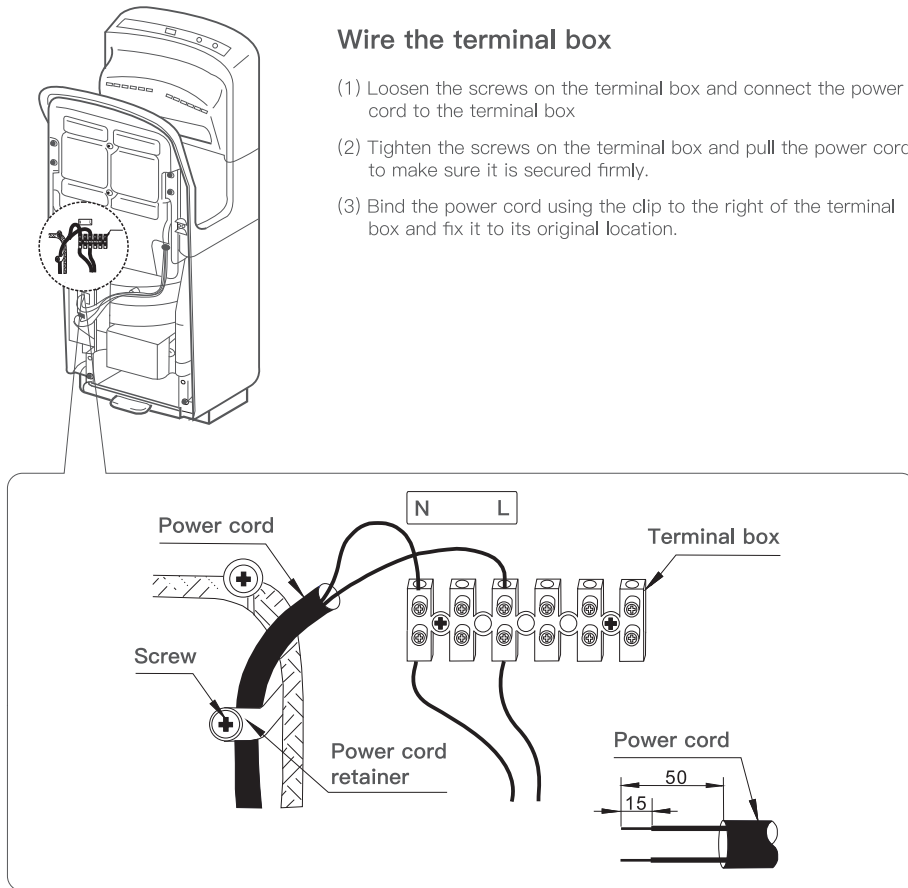
Step Five

Connect with the power cord and the power cord of the hand dryer
Connect in 2 steps, operation instructions

1

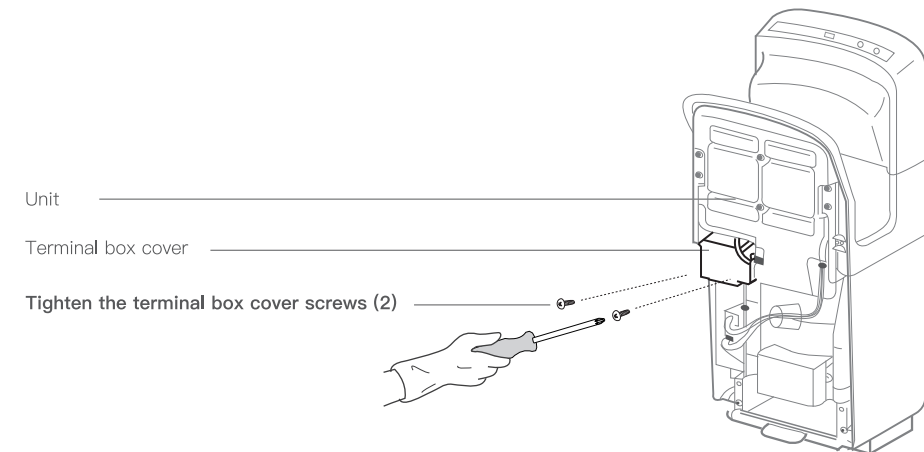
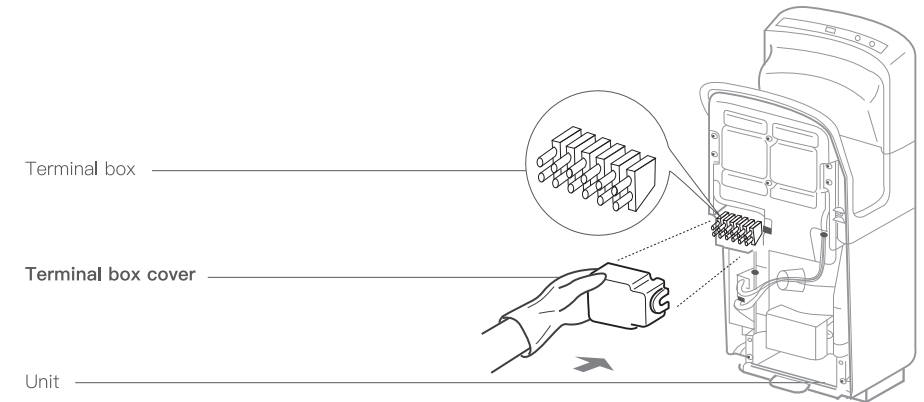
Wire the terminal box

- (1) Loosen the screws on the terminal box and connect the power cord to the terminal box.
- (2) Tighten the screws on the terminal box and pull the power cord to make sure it is secured firmly.
- (3) Bind the power cord using the clip to the right of the terminal box and fix it to its original location.



2

Installation of terminal box cover



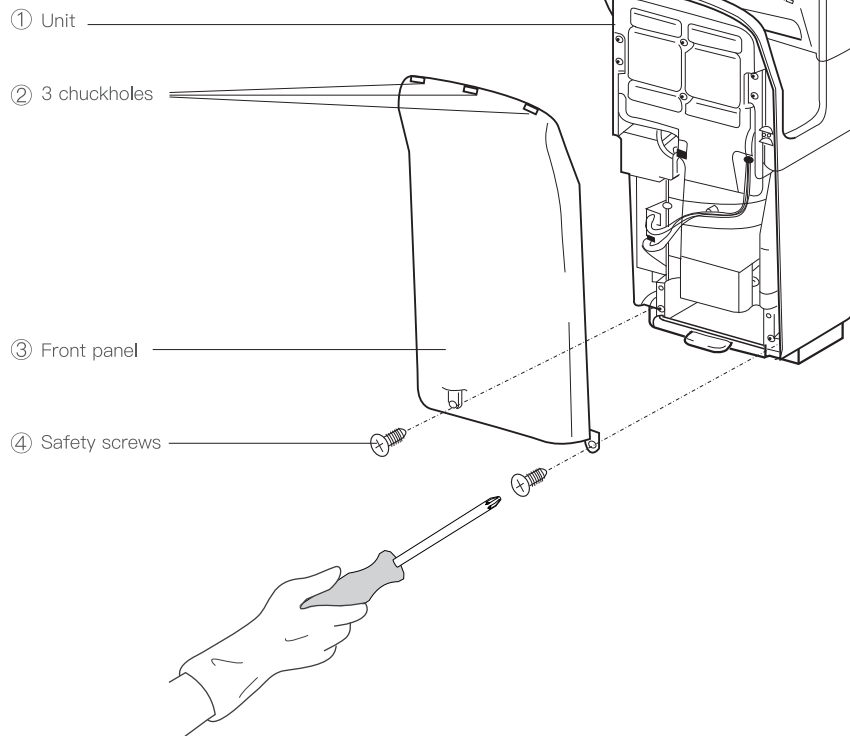
Make sure the power cord and other wires are not pinched.
The front panel cannot be attached if there are any wires in front of the terminal box cover. Solution: Move the wires to the right of the terminal box cover.

Step Six

①

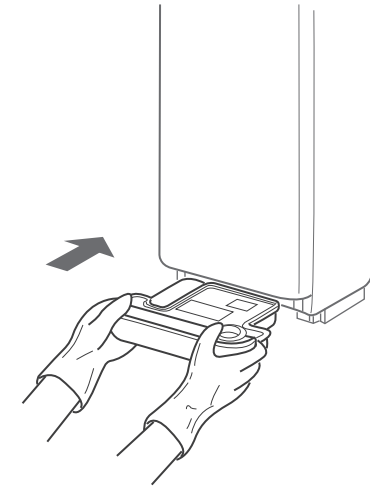
Installation front panel

Insert the 3 front panel chuckholes into the unit;
Replace the 2 screws that were removed.



②

Attach the drain tank



③

Make sure the air filter is all
the way in



Test run and Maintenance

Test Run

Step	Check	Result
Check the voltage of power supply	Does use the 220V rated voltage?	
Turn the ground — fault circuit breaker on		
Turn the power switch on	Dose the power indicator light up?	
Dry hands	Is the air blowing?	
Check the unit	Is the unit installed firmly? Any vibration or strange noise	

Do not turn the unit power switch on with your hands inside.

If the self-check indicator in the display lights or is flashing, turn off the power switch off, and turn the power back on when all the indicators go off (after 40 seconds).

Cleaning the unit body

Before it gets obviously dirty.

The antibacterial coating is effective when the bacteria exposed the coated surfaces.


The antibacterial coating becomes not effective when the surfaces get very dirty.


• Clean the unit with a soft cloth


— If the unit gets very dirty, clean with a soft cloth dampened with neutral agent, then clean with a dry soft cloth.

• Remove the dirty from the sensor

— To prevent malfunction, turn off the power switch.

 **Warning**
Before you clean the unit, do not splatter water on the unit.

 **Caution**
Wear gloves when cleaning

 **Note**

1. Only use the neutral cleaning agents
2. Do not use thinner, acidic or alkaline toilet cleaners, or nylon brush. —Otherwise, they may damage the smoothness of surface)
3. Only use the alcohol to clean the hand — drying area —Alcohol here means the alcohol used for disinfection (The concentration is 83% or below).
4. Do not use the unit outside of the hand — drying area
5. If the chemical cloths used, please read their instructions first.

Maintenance

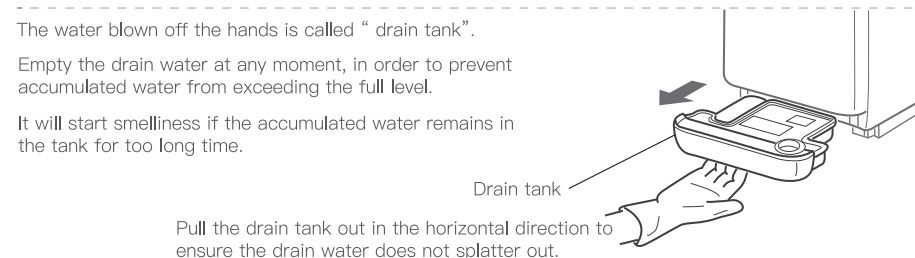
Draining and cleaning the drain tank

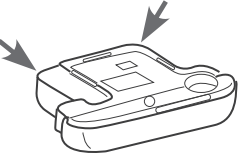

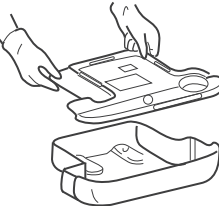

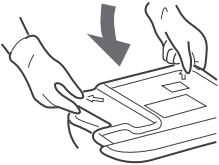
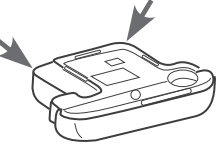
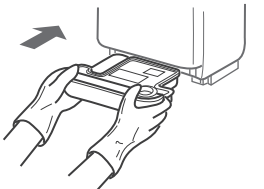

Before it fills up (at least once week)

The water blown off the hands is called “ drain tank”.

Empty the drain water at any moment, in order to prevent accumulated water from exceeding the full level.

It will start smelliness if the accumulated water remains in the tank for too long time.



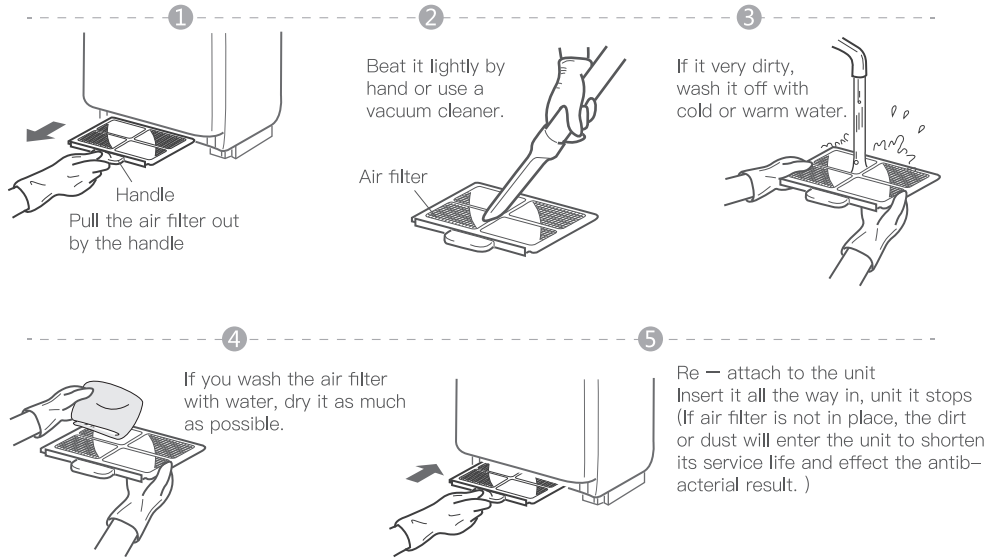
1. Make sure the arrow point 
2. Pull the cover up with your fingers in the direction of the arrow on the top of the cover 
3. Remove the whole cover 
4. Wash out the interior of the drain tank 
5. Close the water tank cover 
6. Confirm the two locations are firmly inserted. 
7. Re — attach the drain tank to the unit as original 
8. Add 200cc (around 1 cup) of water through the drain hole. (To prevent it from getting clogged) Use the unit after confirming that the drain tank is in place. 

Drain hole

Maintenance

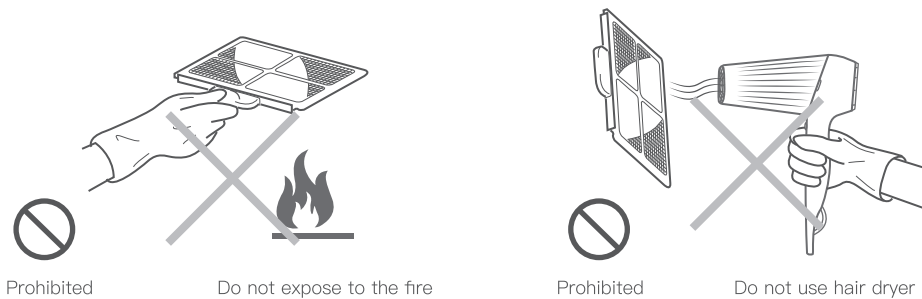
Cleaning the air filter

Around once a week



Note

If you wash the air filter with water, dry it as much as possible.



Trouble shooting

Trouble shooting

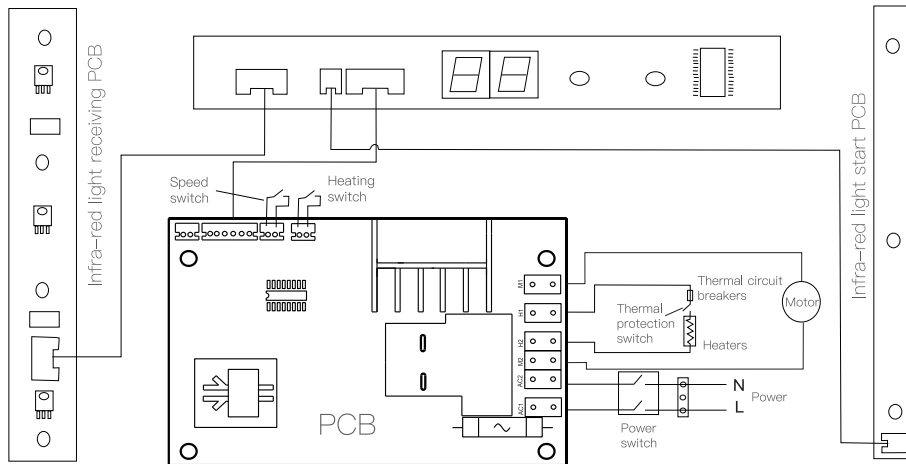
If you discover the following circumstance, please inspection and handling as following:

Problem	Check	Action
No air flows if hands are inserted	Dose the display indicators lights up?	Turn the ground — fault circuit breaker on.
	Is the power switch on?	Turn the power switch on.
	Are you putting your hands all the way in?	Put hands all the way in.
Machine works long time after hands drawn out	Any dirt or foreign body on sensor?	Switch off the power button, and then remove dirt or foreign body on sensor after the power light gone out. When finished, switch on power button.
No hot wind	The unit has heater inside, any dirt on heating sensor?	Is the ambient temperature too high?
If the above actions do not work, turn off the power and the ground — fault circuit breaker, and call your dealer to inspect and repair it if necessary.		

Packing list

Unit*1	Air filter*1	5mm Expansion pipe*6
5*25 Self — tapping screw *6	Allen wrench *1	Mounting plate*1
Product certificate (include warranty card) *1		User manual *1

Electrical schematic



	Status	Introductions	Status	Introductions	Solution
Power indicator light	light	Power input normally	Extinguish	Power not supply Master board fuse blew out	Check the external power source, close the power switch
			Flashing light	Motor fault Trick or working time longer than 25s	Check motor connecting wires and the rotor foreign material, restart to work Clear workspace foreign material, restart to work
State indicator light	Extinguish	Do not work	Flashing light	Trick or working time longer than 25s	Clear workspace foreign material, restart to work
Timing digital tube	Digital changes	Countdown work	Frequency display 88	Indicate drying time finished	