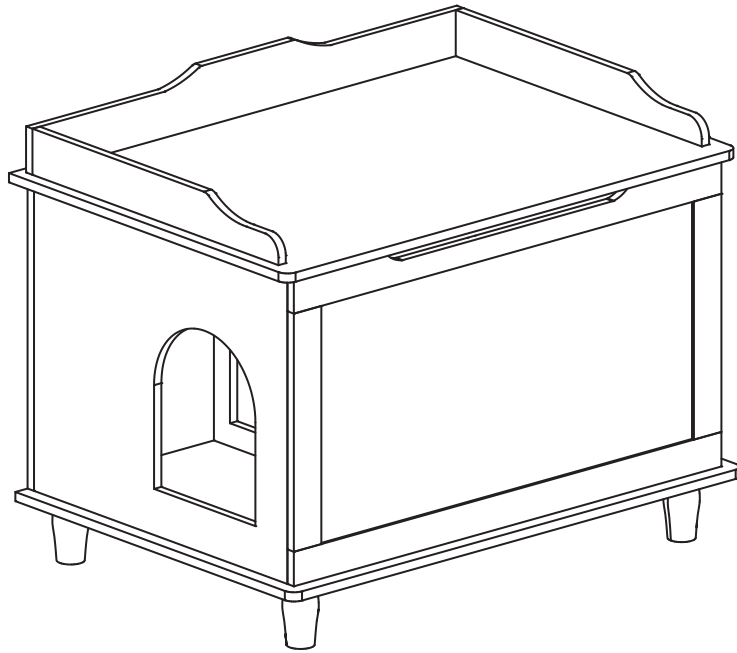


Designer

PET PRODUCTS[®]



Instructional Manual

For Your New Designer Catbox

Regular/Jumbo
NT-10- SC1781_CZ

Distributed by Designer Pet Products, Inc. - Pembroke, MA 02359
Copyright © 2022 Designer Pet Products, Inc. - All rights reserved
United States Patent No: US D616,617 S
Designed in the USA; Made In China

www.DesignerPetProducts.com

Thank you for your purchase!



We hope you are completely happy with your purchase. If you have *any* questions, please email us at:

Info@DesignerPetProducts.com

Helpful Hints Before Assembling:

Before you begin, you will need the following:

- 1) An electric screwdriver is recommended; however you can use an old fashioned one too!
- 2) You may need a friend to help hold the lid for assembly. While this little guy is cute, we recommend a human friend.

Buy your litter pan

Regular Catbox fits most large-sized litter pans 18.5"L x 15.25"W.

Jumbo Catbox fits most jumbo or giant litter pans 22.5"L x 16.5"W.

Note: You can fit a larger litter pan by removing the interior panel.



Keeping Your Catbox Clean

For best results, vacuum out any litter that may be kicked out of the litter pan. Do not try to wipe away litter as this may scratch the paint. After the litter has been vacuumed, you can clean the Catbox using a mild cleaner. Test cleaners in a discrete location first, such as an interior panel, to ensure that there is no adverse reaction. Do not expose Catbox to direct sunlight, drying heat sources, or dampness.

And the Obligatory Warnings.....

- Keep small parts away from children to avoid choking.
- This not a children's product. Keep children away from product.
- The the Designer Catbox is a sturdy piece of furniture, it is not designed for all to sit on.
- Please use your judgement.
- Use caution when closing the top of the Designer Catbox so that your fingers do not get caught.

Is your Pet Picture Puurfect?

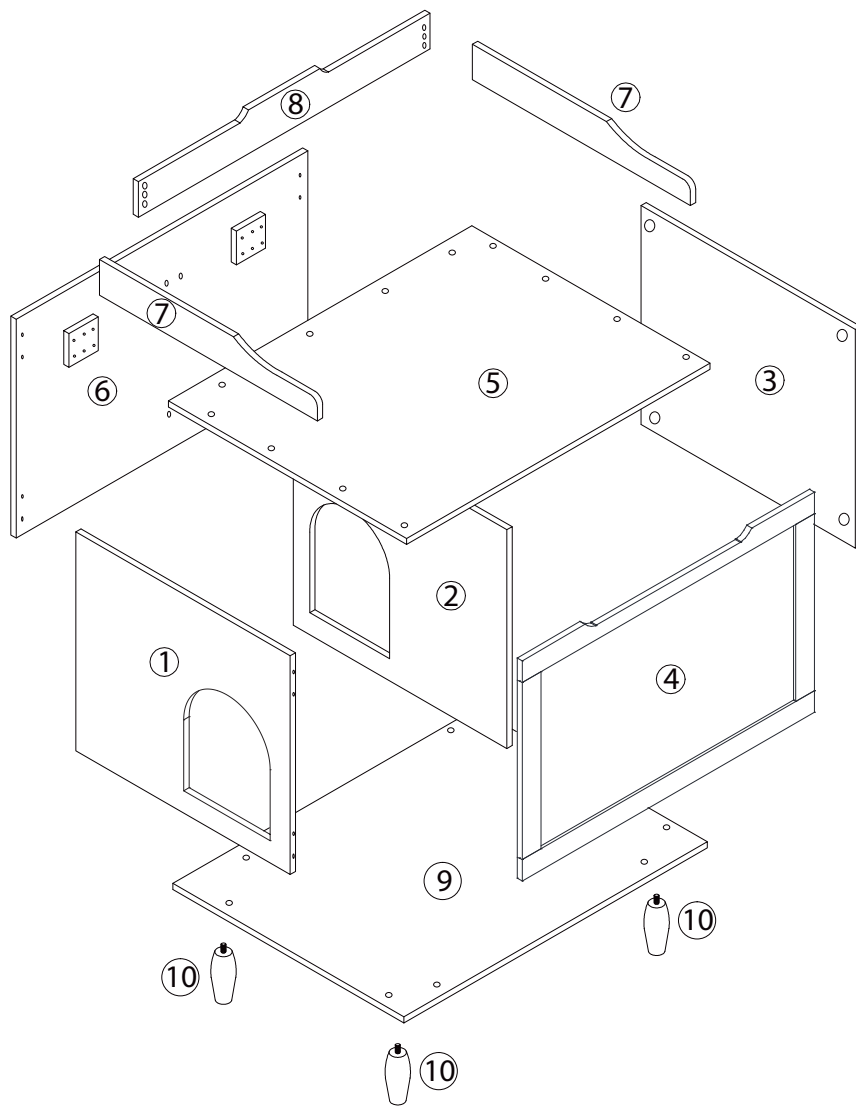
Share a picture of your pet with their new Designer Pet Product!

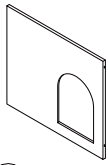
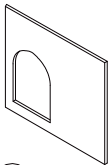
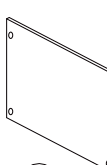
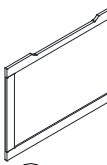
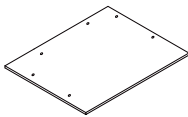
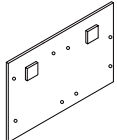
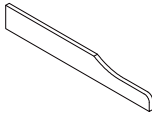
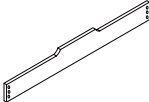
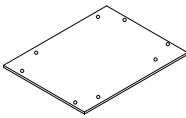

Tag us on Instagram or Facebook using
#MyDesignerPetProducts

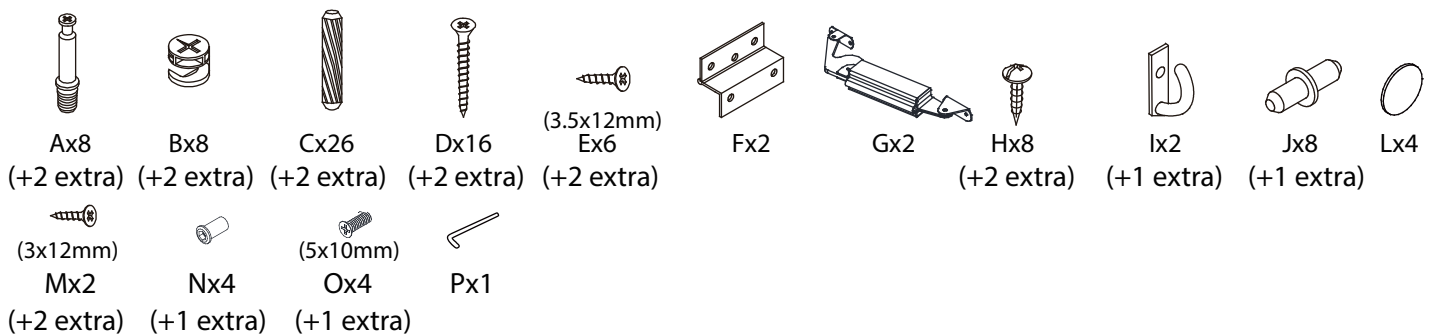


XOXO

Designer Pet Products



 ① x1	 ② x1	 ③ x1	 ④ x1
 ⑤ x1	 ⑥ x1	 ⑦ x2	 ⑧ x1
 ⑨ x1	 ⑩ x4		

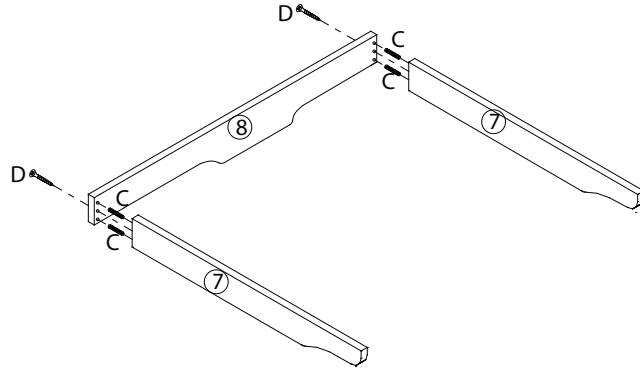






Instructions for Setup

Step 1

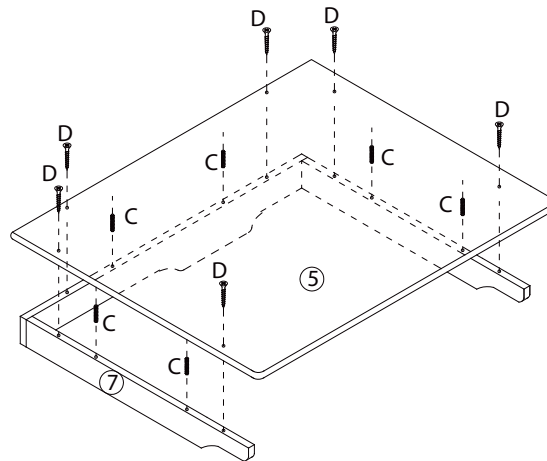
Connect the top edging pieces by using C pegs and D screws.





C x 4	D x 2
	

Step 2

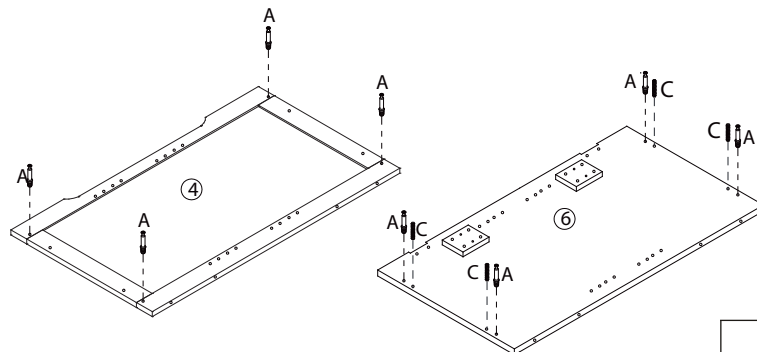
Attach the top edging pieces to the top piece. Note that the top piece and the bottom piece look similar. The bottom piece has holes close to the edge on EACH side of the bottom. The top piece only has holes on THREE of the four sides. Use C pegs and D screws.





C x 6	D x 6
	

Step 3

Install A post screws into the back and front pieces. Install C pegs into the back piece.

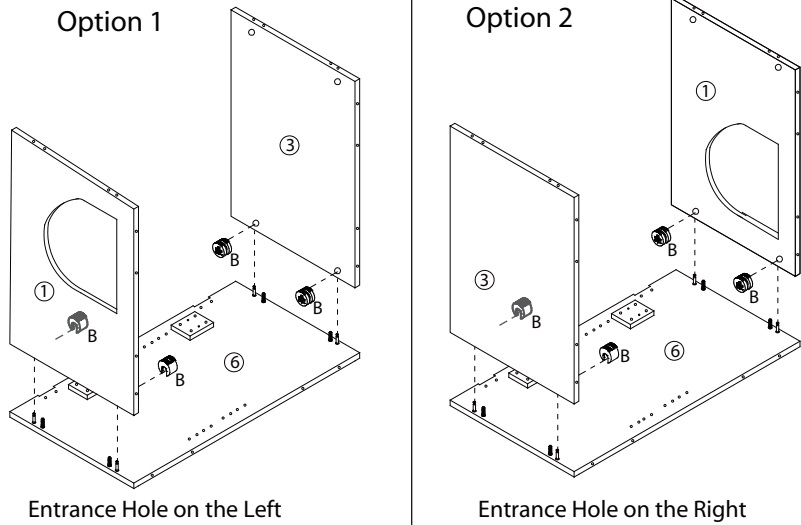


A x 8	C x 4
	

Instructions for Setup

Step 4

Choose which side you would like the entrance hole to be on. Attach side panels using locking screw B. Ensure that the locking screw's hooks are open to ensure that it will lock around the post. After the screw is pushed into the hole, twist it clockwise and the locking hooks will lock around the posts. Do not over tighten!



Entrance Hole on the Left

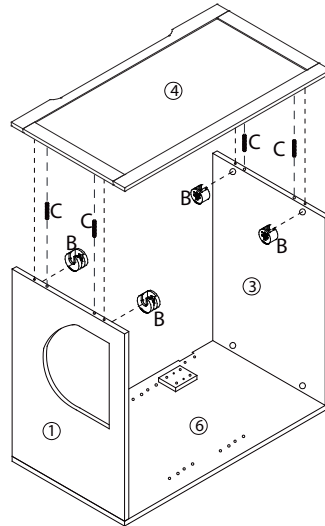
Entrance Hole on the Right

B x 4



Step 5

Install C pegs into the side panels. Slide the front panel onto the side panels over the posts. Insert locking screw B by turning clockwise.



B x 4

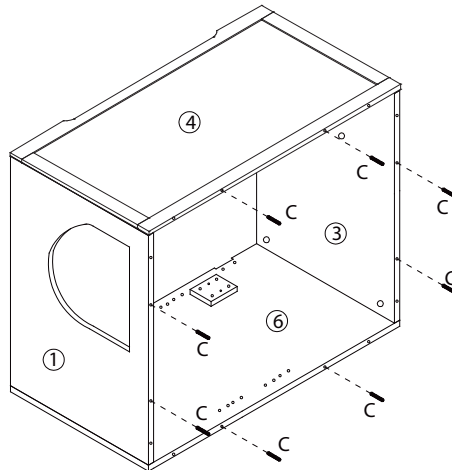


C x 4



Step 6

Now insert C pegs into the bottom of the front, back, and side pieces.



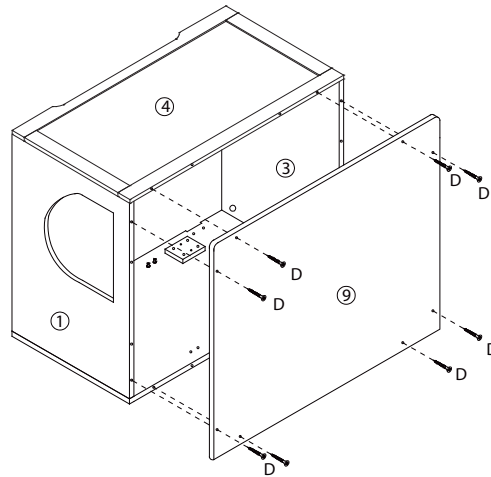
C x 8



Instructions for Setup

Step 7

Install the bottom piece to the box using the D screws. Note: the two front corners have rounded edges, the back do not.

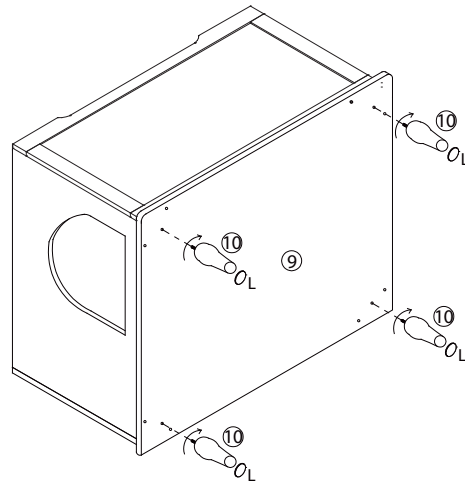


D x 8



Step 8

Install the feet by screwing them into the bottom piece. Attach L furniture pads to the bottom of each foot.

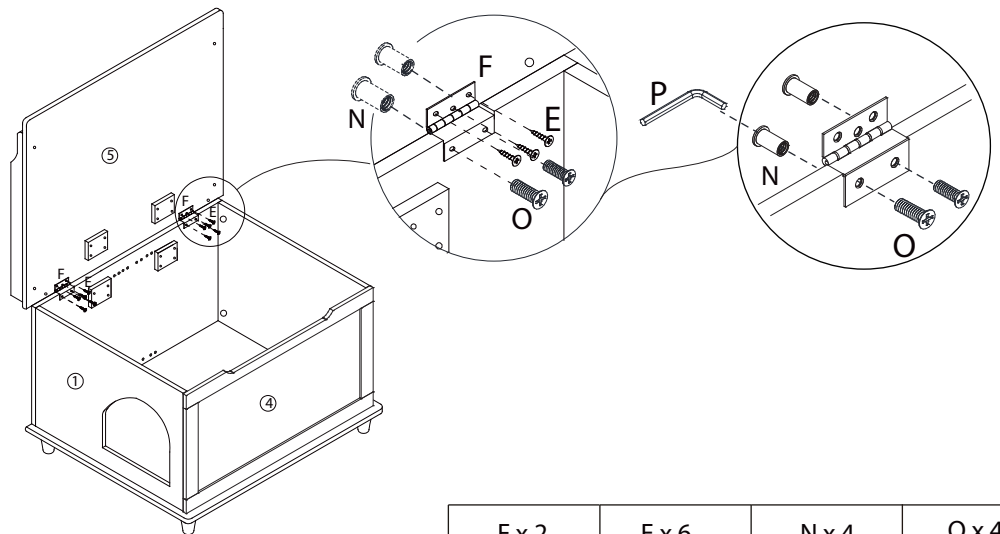


L x 4

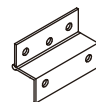


Step 9

Find the F hinges and locate the side of the hinge that is shaped like a right angle. Place the hinge with the right angle into the grooves in the back piece of the box. Use a screwdriver to hold the O screws in place, then use Allen wrench P to screw in the N screws. If possible, have someone hold the top piece in place as you install the E screws into the F hinges on the top piece.



F x 2



E x 6



N x 4



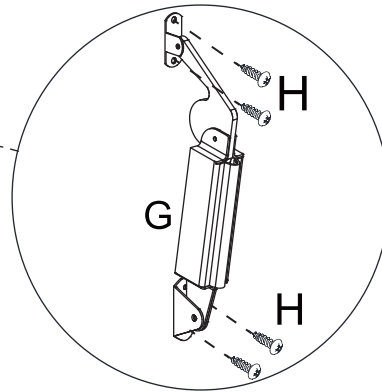
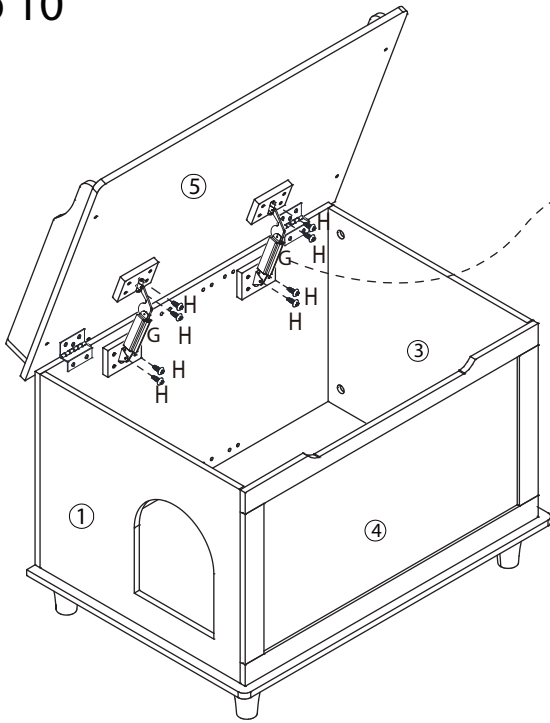
O x 4



Instructions for Setup

Step 10

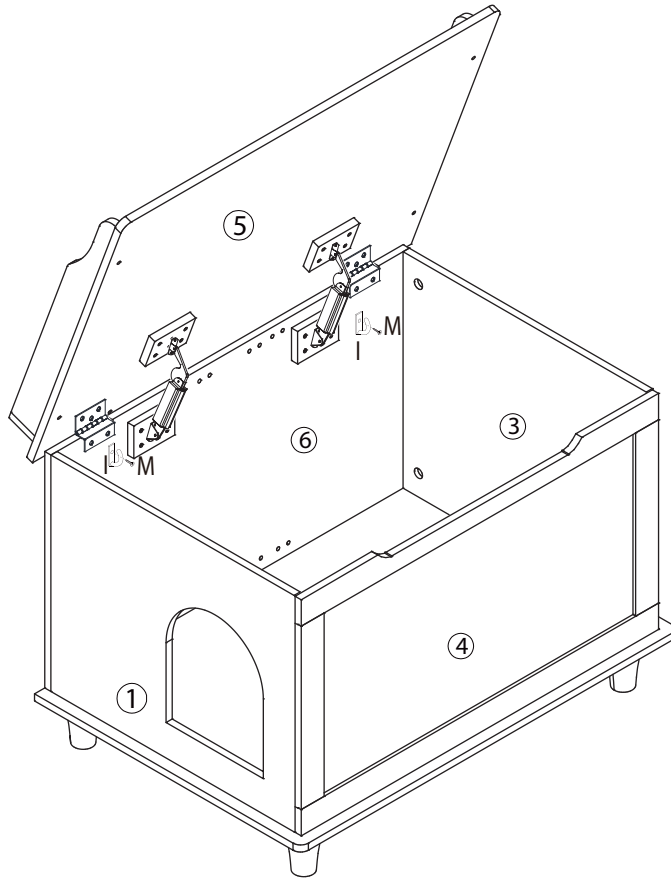
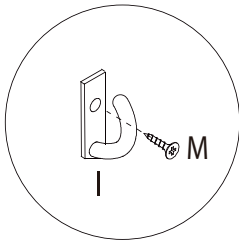
While the other person holds the lid, install the safety hinges, part G, using screws H. Do not over tighten screws!



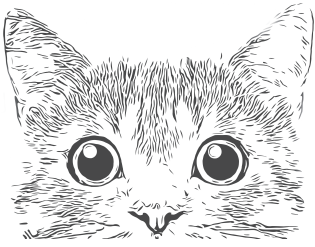
G x 2	H x 8

Step 11

Install the litter scoop hooks, part I, using M screws.



I x 2	M x 2

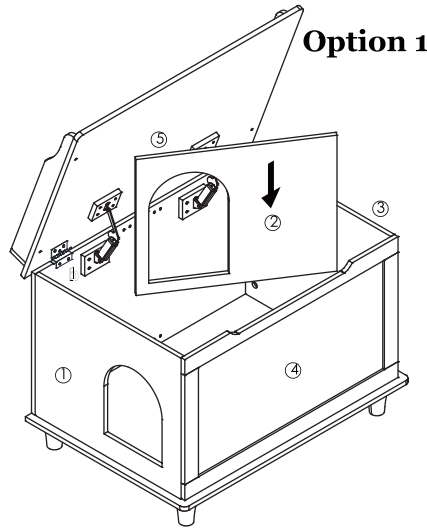


Instructions for Setup

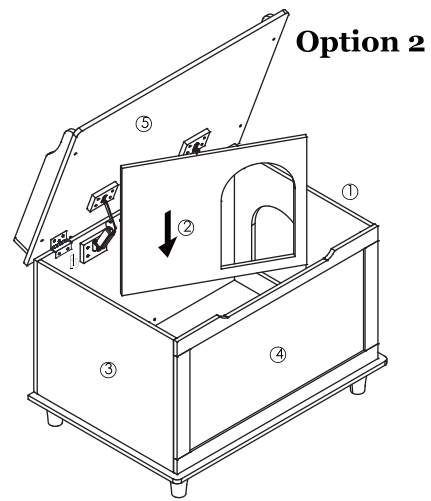


Step 12

Now install the interior panel according to the assembly option you have chosen. Angle the interior panel (making sure that the interior panel entrance hole is positioned opposite of the exterior entrance hole) and place it inside the catbox. Position the interior panel in between the set of holes for the pegs that are closest to the side with the entrance hole.



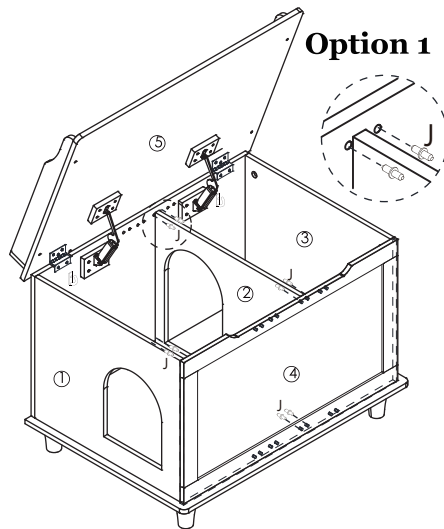
Option 1



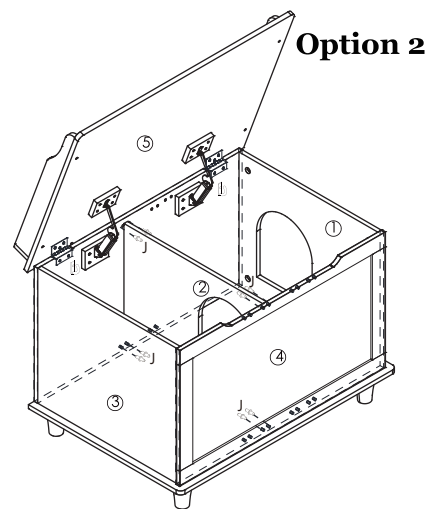
Option 2

Step 13

There are several sets of holes for the J pegs so that you can position the interior panel in the correct spot for your sized litter pan. Insert the J pegs into the 8 spots on the inside of the box to hold the interior panel in place.



Option 1



Option 2

J x 8



Congratulations!

You have now completed the assembly of your catbox. Please use care when opening the lid. You may need to adjust the torque on the safety hinges periodically.

Send us a picture of your pets with their new Designer Pet Products!

Tag us #MyDesignerPetProducts

Email us: Info@DesignerPetProducts.com

