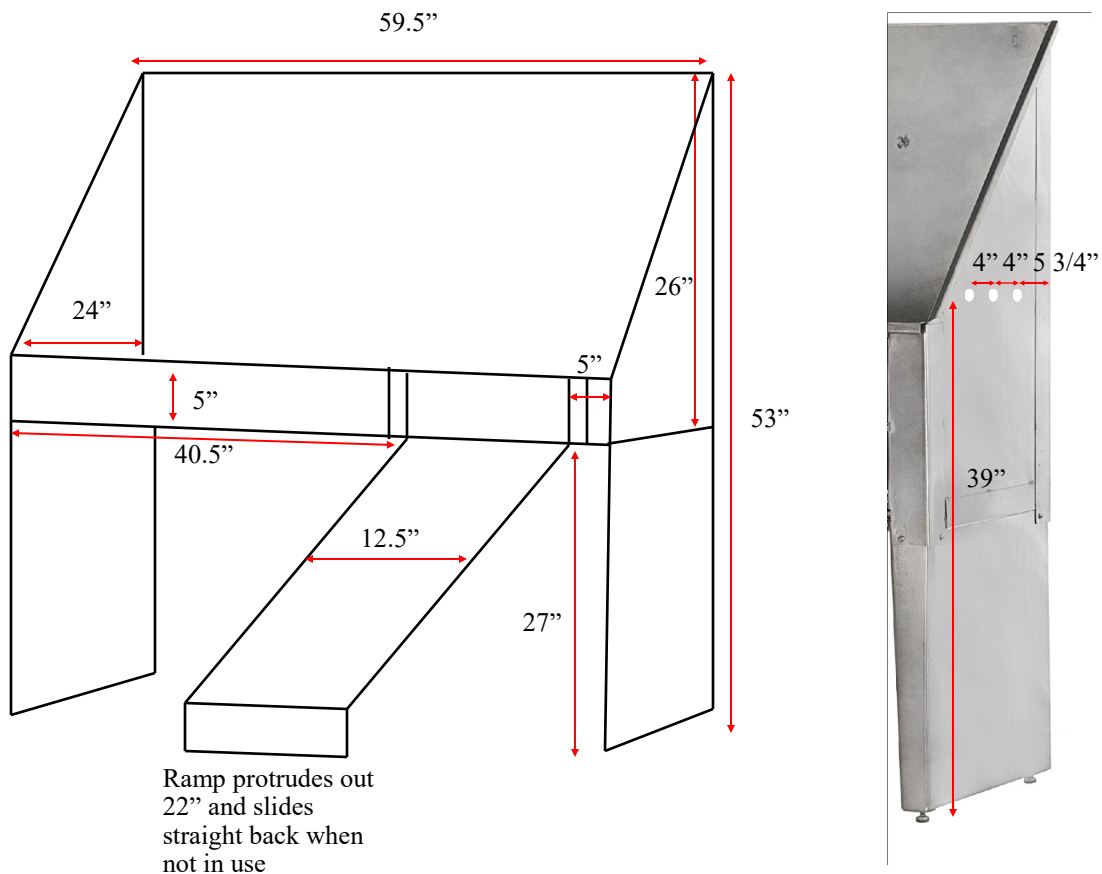


Groomer's Best Spec Sheets 24"x58" Walk-Through Tub ADA

Any Questions Please Call 908-989-0066



Groomer's Best Tubs Plumbing Specs

The drain hole is 3 1/2" in diameter and is centered from front to back in the tub, which puts the center of the hole at 12" from the front and 12" from the back and 7 1/2" from the side of the tub.

The three faucet holes are 4" on center. The holes are 1" in diameter and are up 18" from the bottom of the tub itself or approximately 38" from the floor. From the backsplash, the center of the first hole is in 5", the middle hole is in 9" and the last hole is in 13".