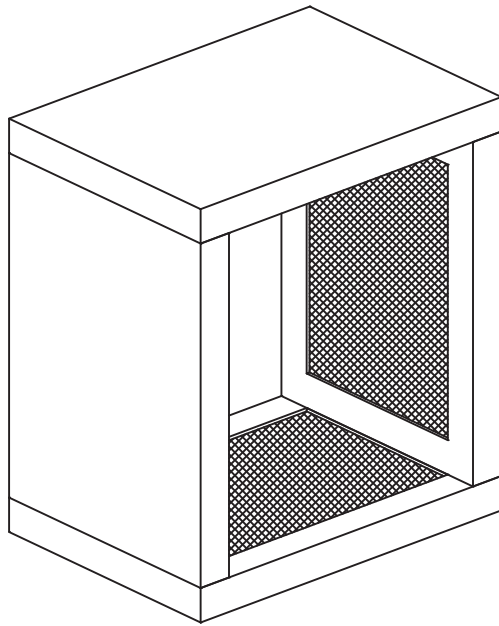


Designer PET PRODUCTS[®]



Instruction Manual

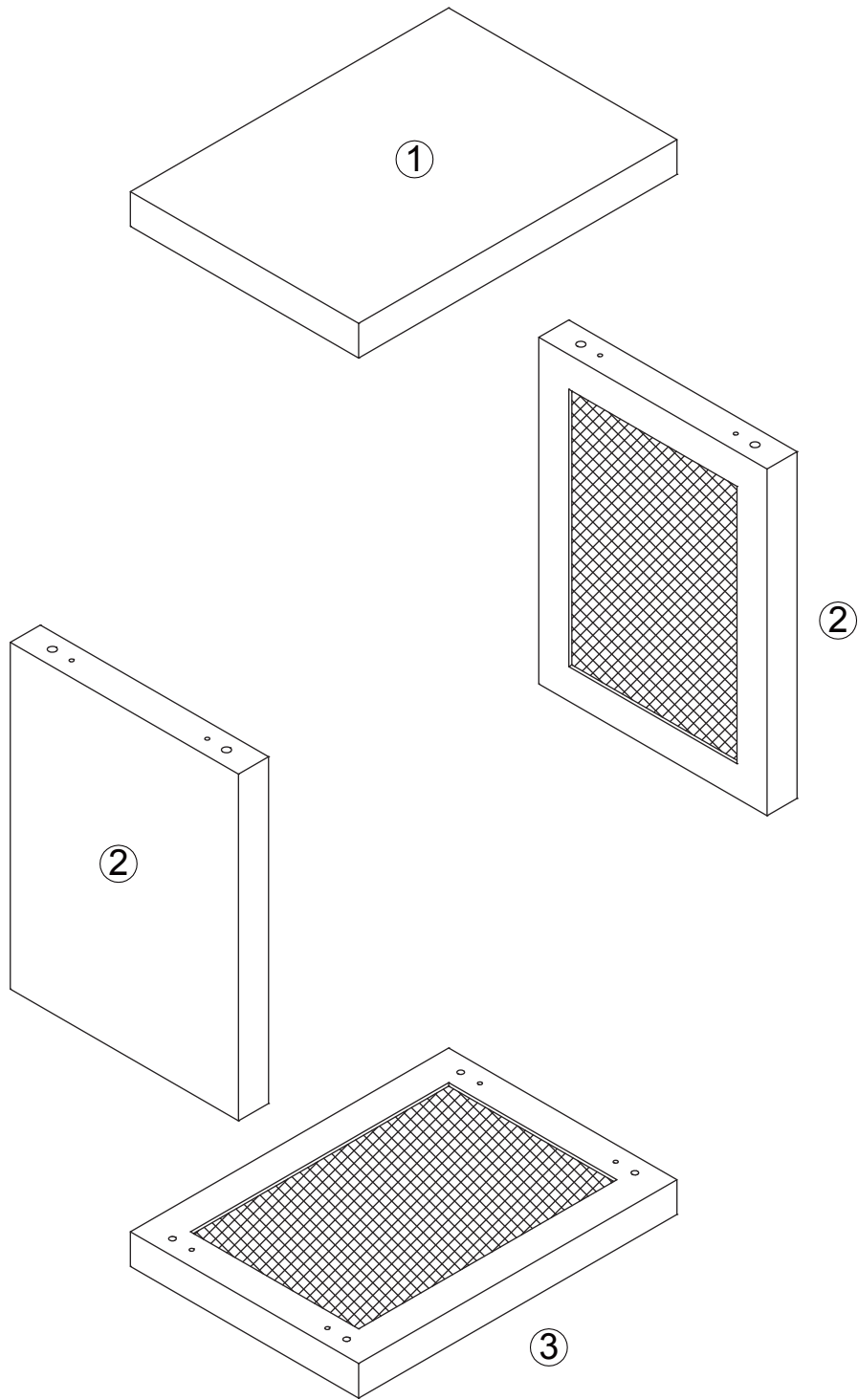
For Bailey Side Table!

For Models
NT7 - SC1696_CZ

Distributed by Designer Pet Products, Inc. - Pembroke, MA 02359
Copyright © 2022 Designer Pet Products, Inc. - All rights reserved
United States Patent No: US D616,617 S
Designed in the USA; Made In China

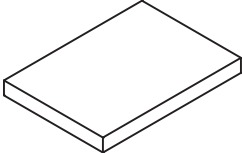
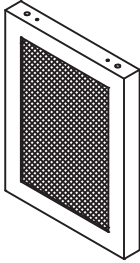
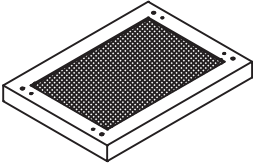
Thank you for your purchase! We hope you enjoy your new end table.
We hope you are completely happy with your purchase. If you have
any questions, or want to send us a photo of your kitty with their new
scratcher, please email us at Info@DesignerPetProducts.com.

www.DesignerPetProducts.com



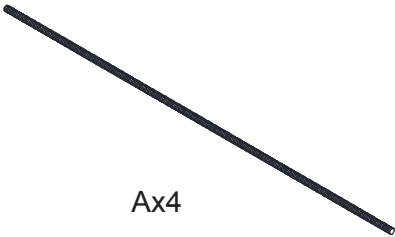
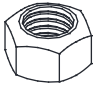
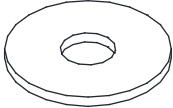
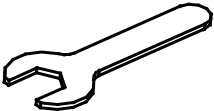
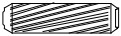
Part list

While you unpack the parts, please be careful not to discard any parts with packaging. Before continuing, please make sure you have the following parts:

NO	Description	Qty	Sketch	NO	Description	Qty	Sketch
①	Top panel	1		②	Side panel	2	
③	Bottom Panel	1					

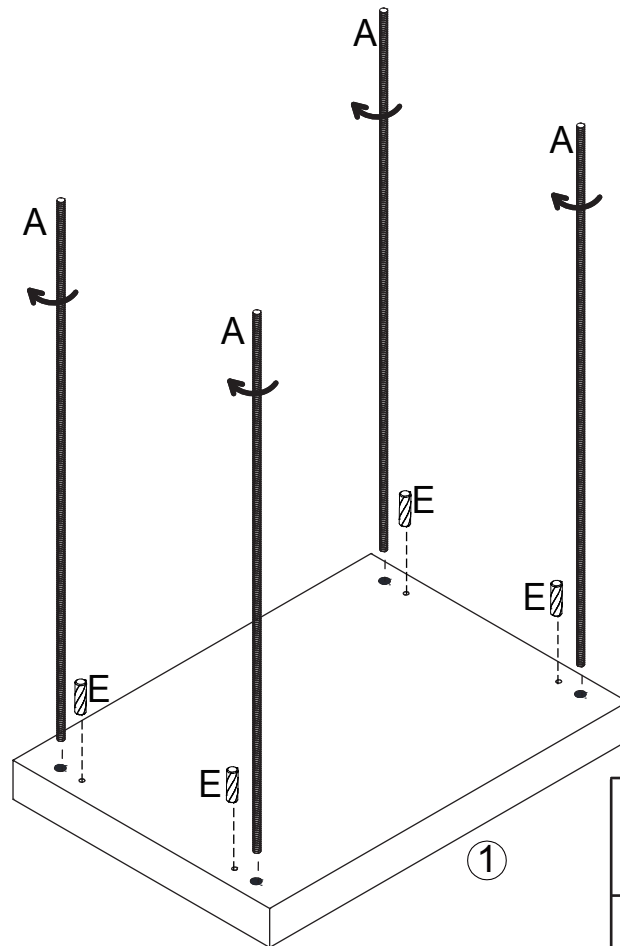
Hardware list

Please ensure you have the following hardware parts before continuing:

 Ax4	 Bx4(+1extra)	 Cx4(+1extra)
 Dx1	 Ex8(+1extra)	

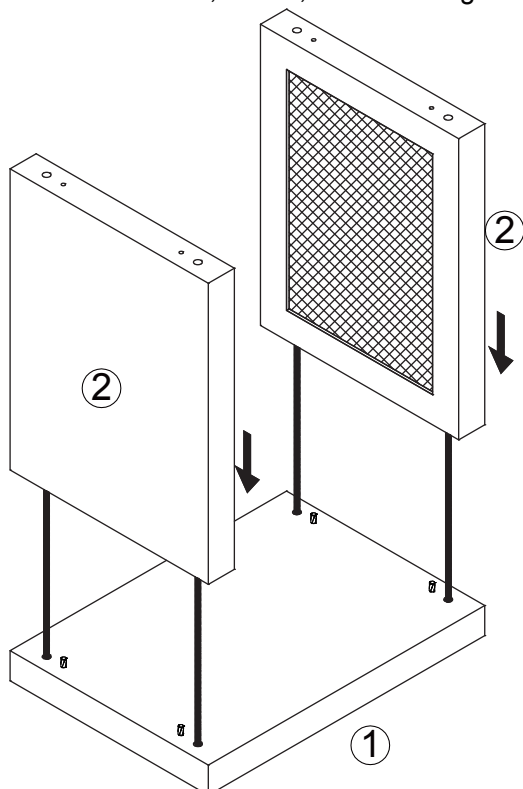
Step 1

On the Top Panel, Part 1, insert Part A long bolts into the 4 holes and turn until tight. Insert Part E into the 4 holes as indicated.

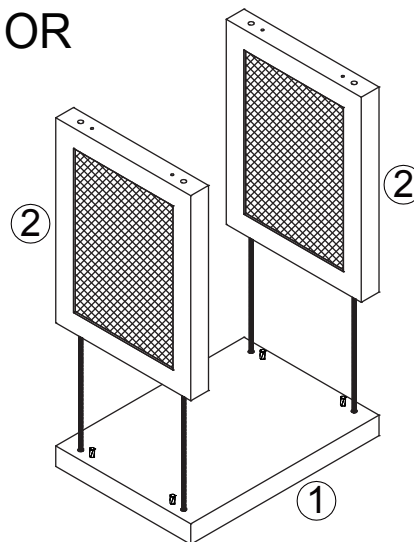


Step 2

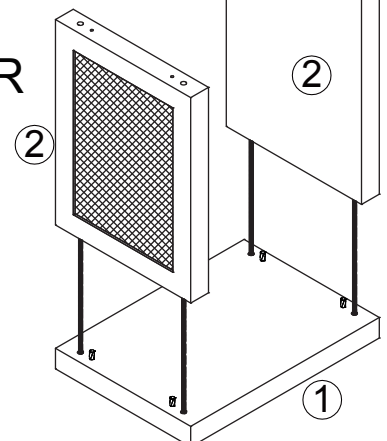
Now you can decide the setup for your Cat Side Table Scratcher. You can have the scratching both on the inside (most common), both on the outside, or one of each. Slide the Side Panels, Part 2, over the long bolts.



OR

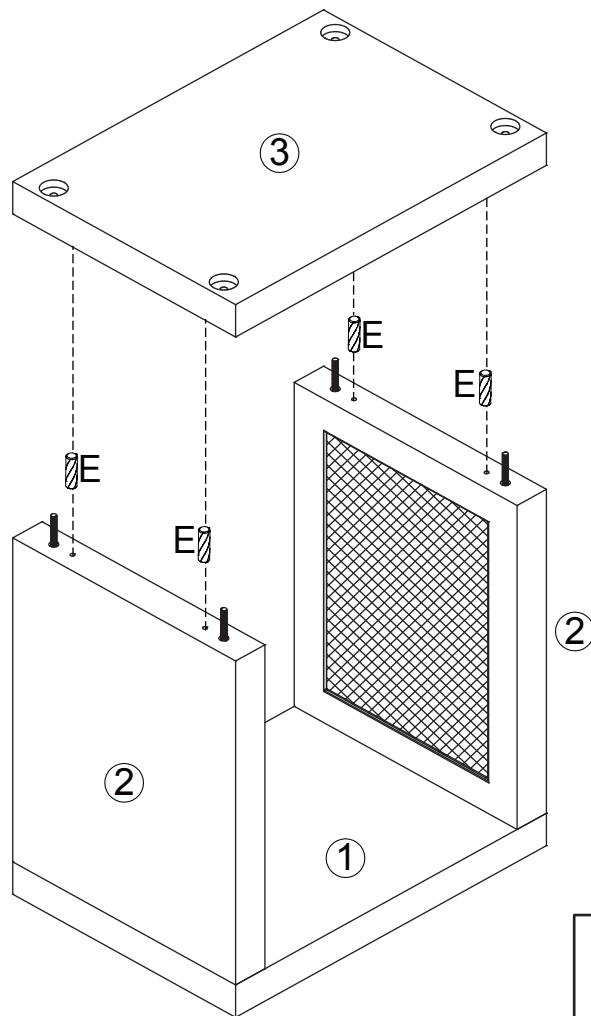


OR



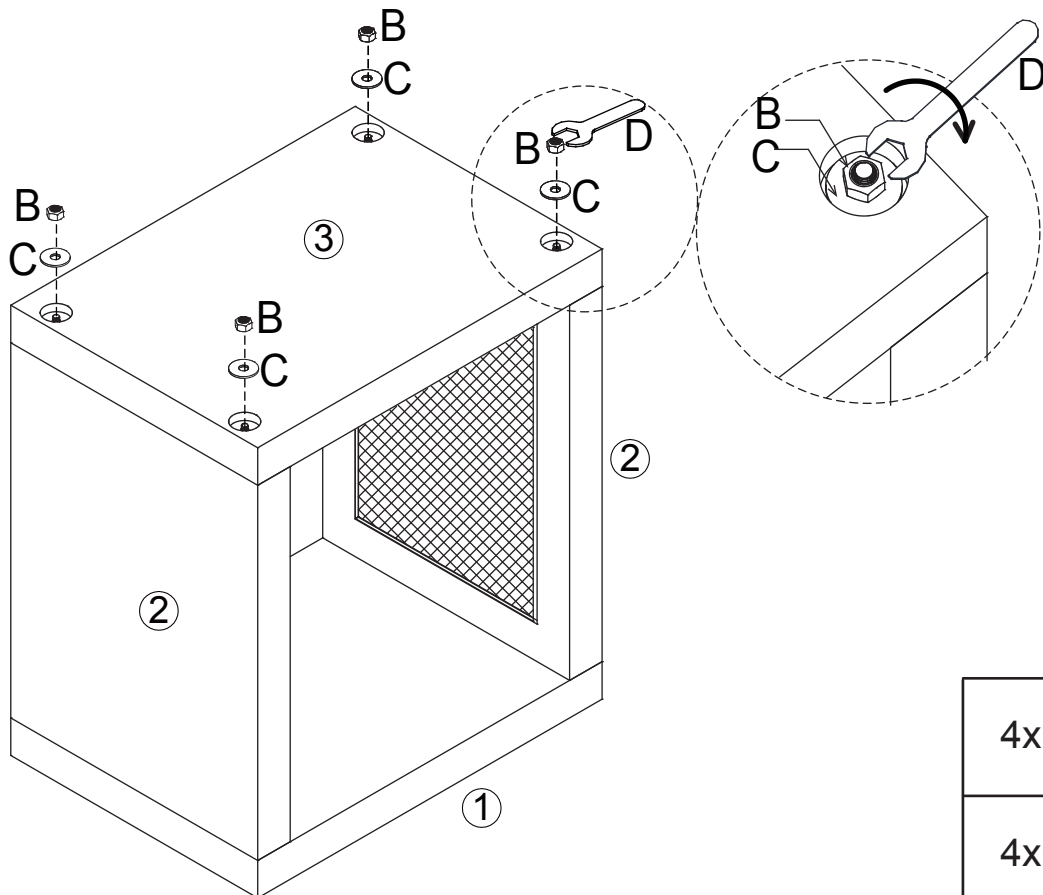
Step 3

Insert Part E into the 4 holes as indicated.
Then slide the Bottom Panel, Part 3,
over the bolts and pegs.



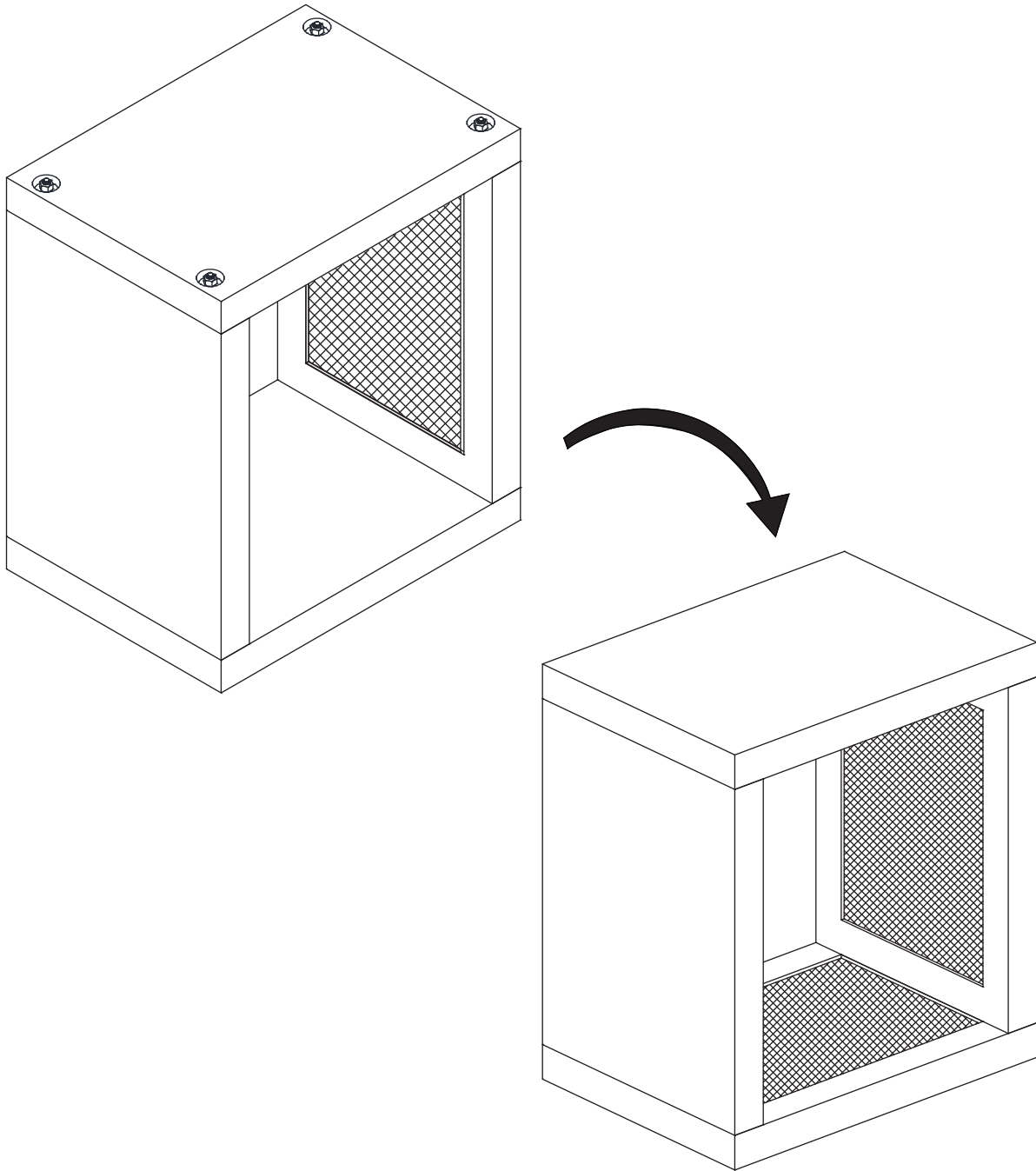
Step 4

Insert Part C washers into the 4 holes as indicated.
Attach Part B, nut onto the long bolt and tighten on the 4 long bolts.



Step 5

Carefully turn over.



Congratulations you have finished setting up your new Bailey Side Table.

We hope you and your cats enjoy it!

Make sure to follow us and tag us

@DesignerPetProducts

#MyDesignerPetProducts

www.DesignerPetProducts.com