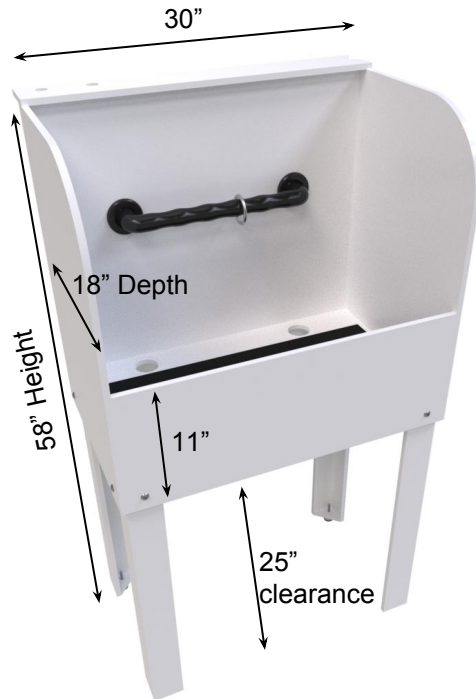
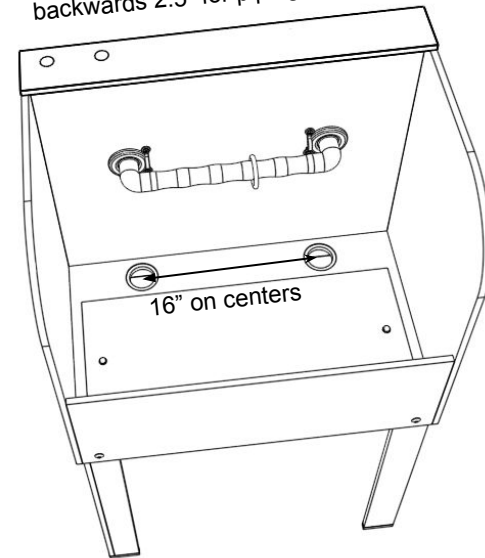




## 30" Poly Pet Tub Installation Guide



Deck of faucet mount extends backwards 2.5" for piping to faucets.



### Notes:

**Faucet Holes:** 1" Holes. Shown with 4" on centers holes. Holes can also be 8" on centers, single faucet hole or no faucet hole.

**Drains:** Drain hole is 2.25". When back of tub is flush against wall the center of drains will be 5" from wall.

### Accessory Kit Includes:

- Faucet connection with 1/2" NPT, we recommend steel braided hose for easy connection.
- Stainless steel drains and drain pipe that connects both drains with 1.5" outlet.