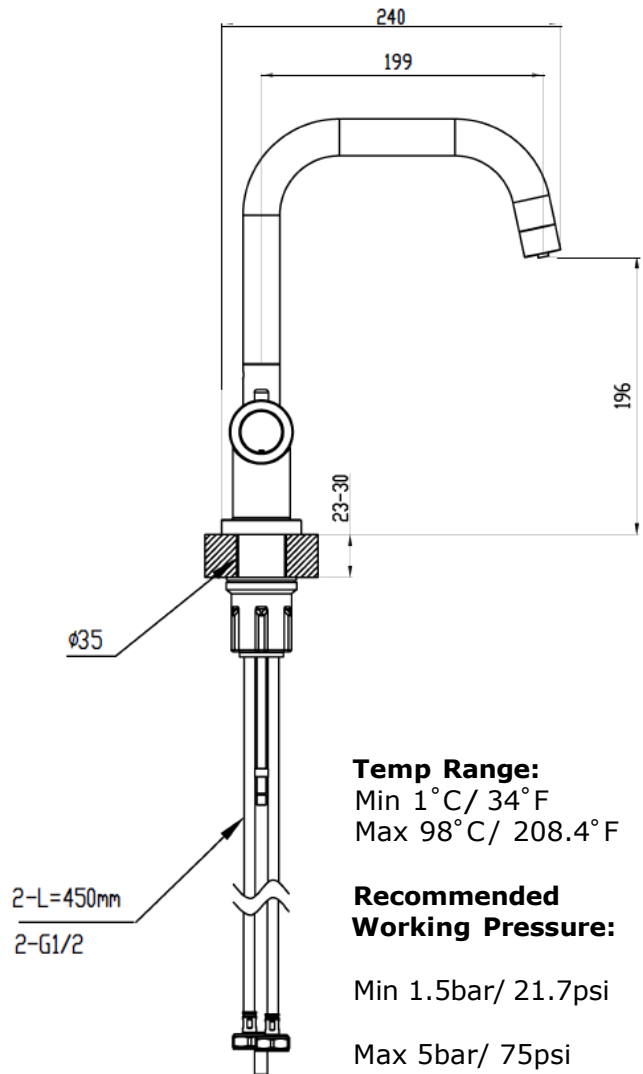
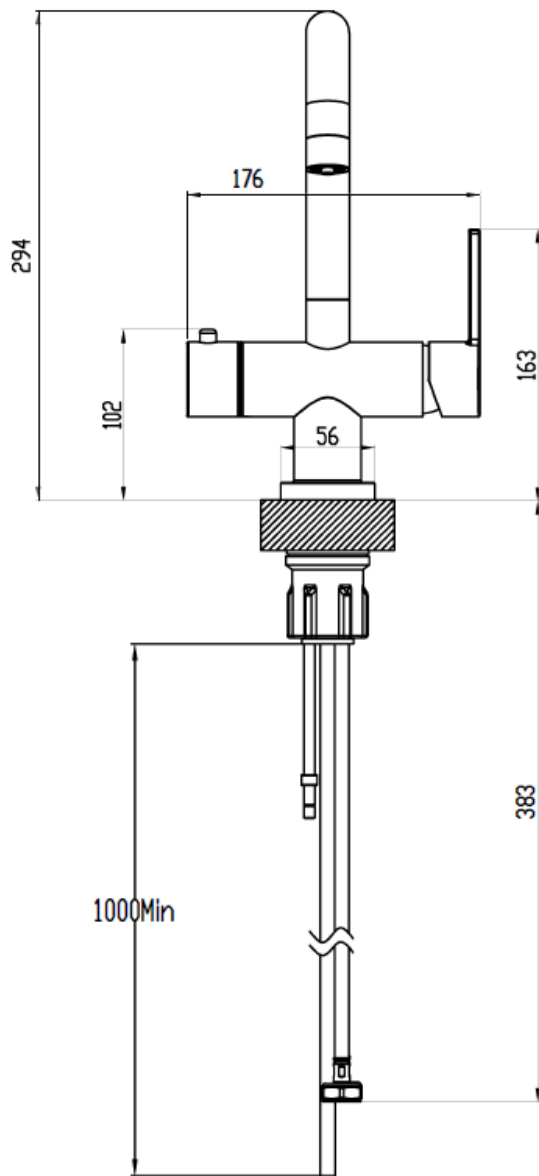


# Specification: TF-3in1-

- **3-in-1 System**
- **1/4 turn ceramic disc flow control**
- **Limescale Filter**
- **Flexible connections**



**Temp Range:**  
Min 1°C / 34°F  
Max 98°C / 208.4°F

**Recommended Working Pressure:**

Min 1.5bar / 21.7psi

Max 5bar / 75psi

**Available Finishes:**

- Chrome
- Black
- Brushed Nickel

Triflow Concepts Limited.  
T +44(0)800 999 3959  
E support@triflowconcepts.com  
W www.triflowconcepts.com

**TRIFLOW CONCEPTS LTD**

Triflow, the Triflow Logo, Triflow Quadro and FRXo2 are registered trademarks of Triflow (IP) Limited  
Triflow Quadro Logo, Triflow 160, 320, 321 & Triflow 500™