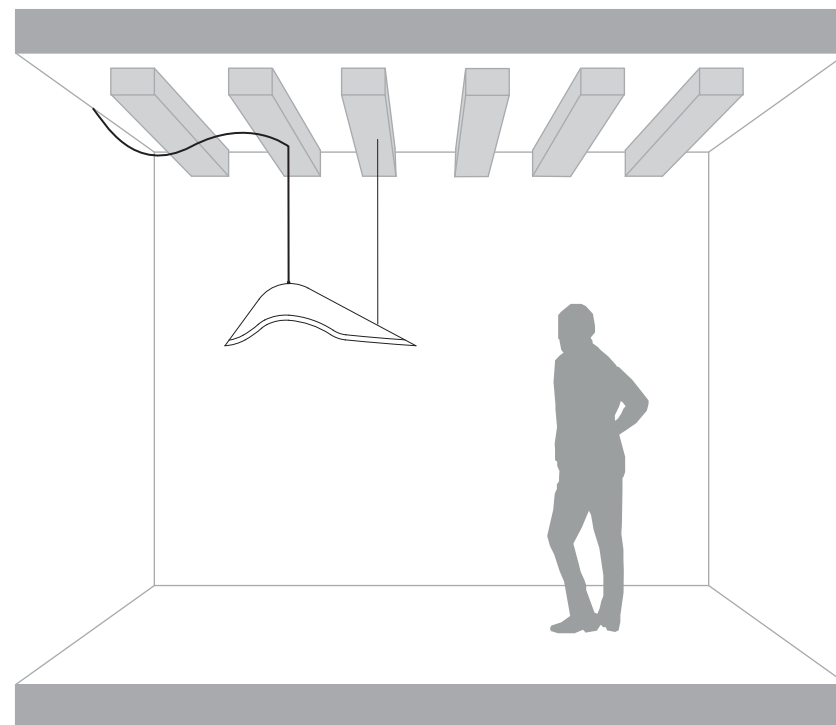


# MOBY DICK

SE646P-EXT  
SE647G-EXT

220-240 V.  
max 1x20W - E27



IP44    

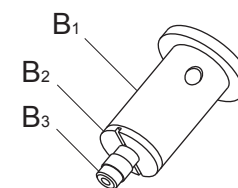
Karman srl

Via A. Grandi, San Martino del piano, 61034 Fossombrone (PU), Italy - p.iva 02175640412 tel +39 0721 71 5042 r.a fax +39 0721 716640 - [www.karmanitalia.it](http://www.karmanitalia.it)

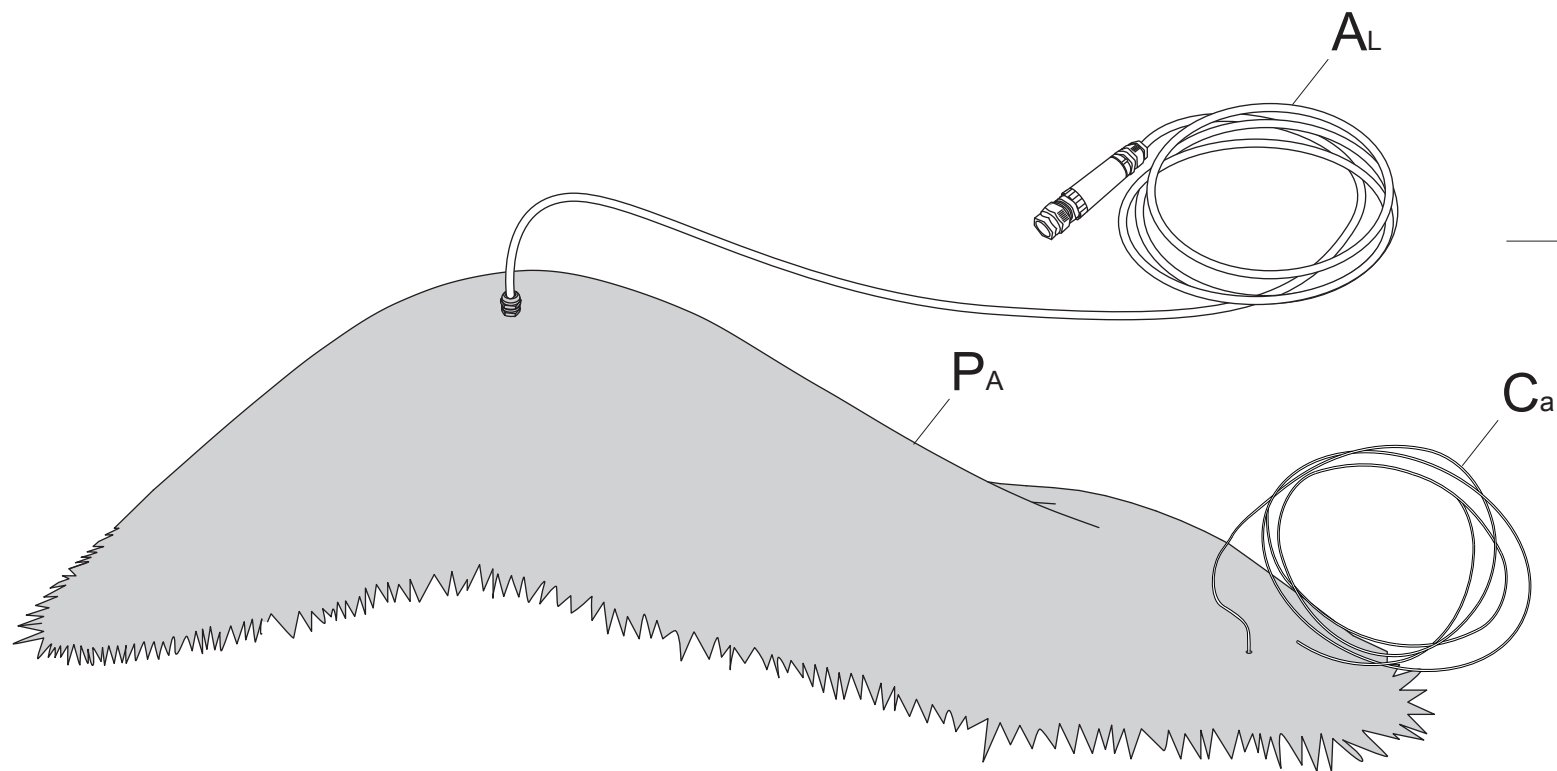
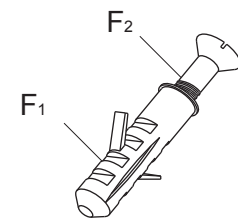


# C - 01

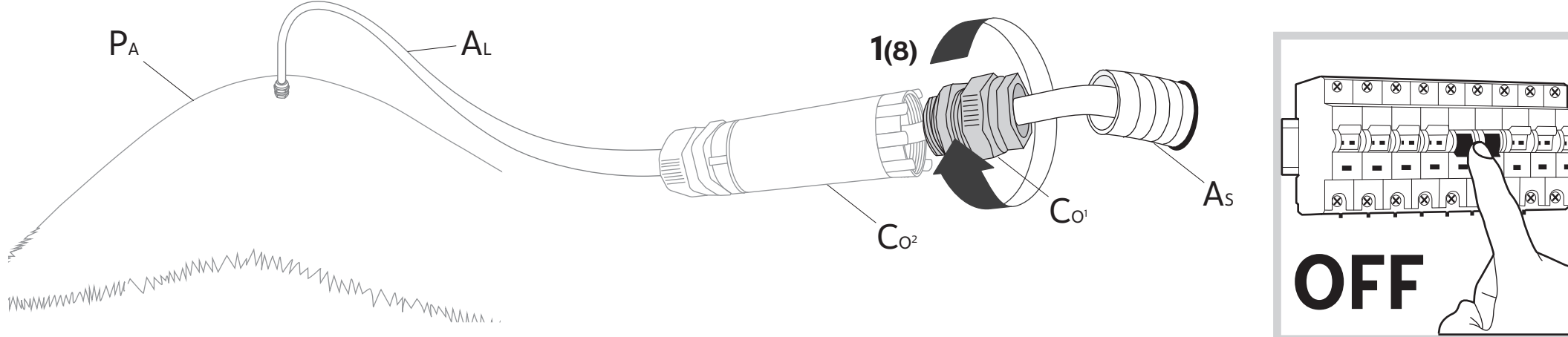
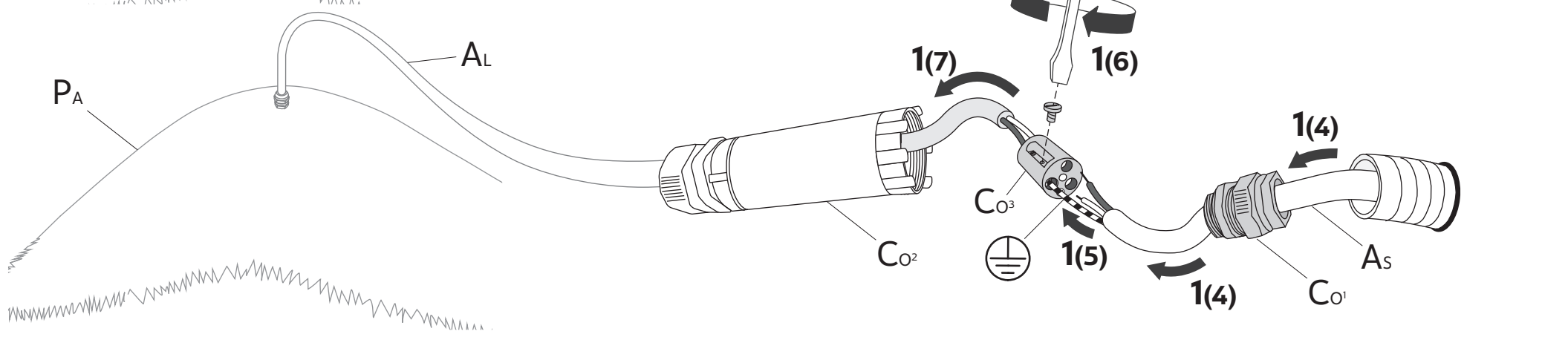
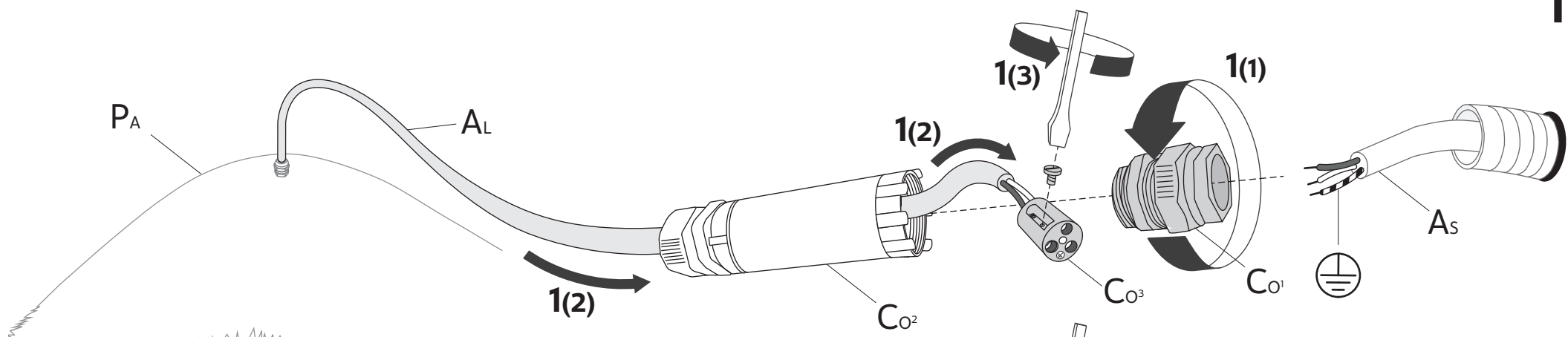
1x B

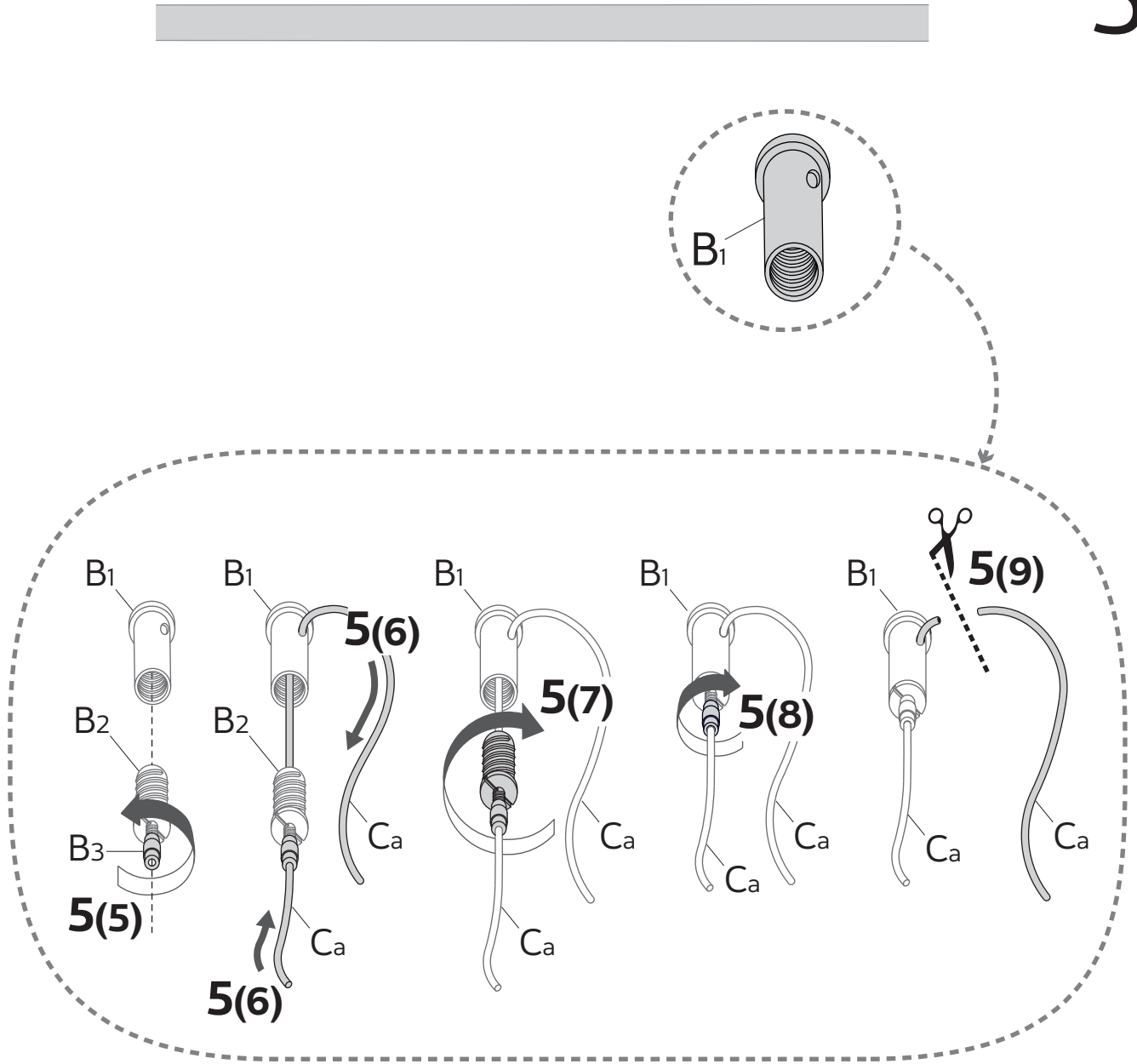
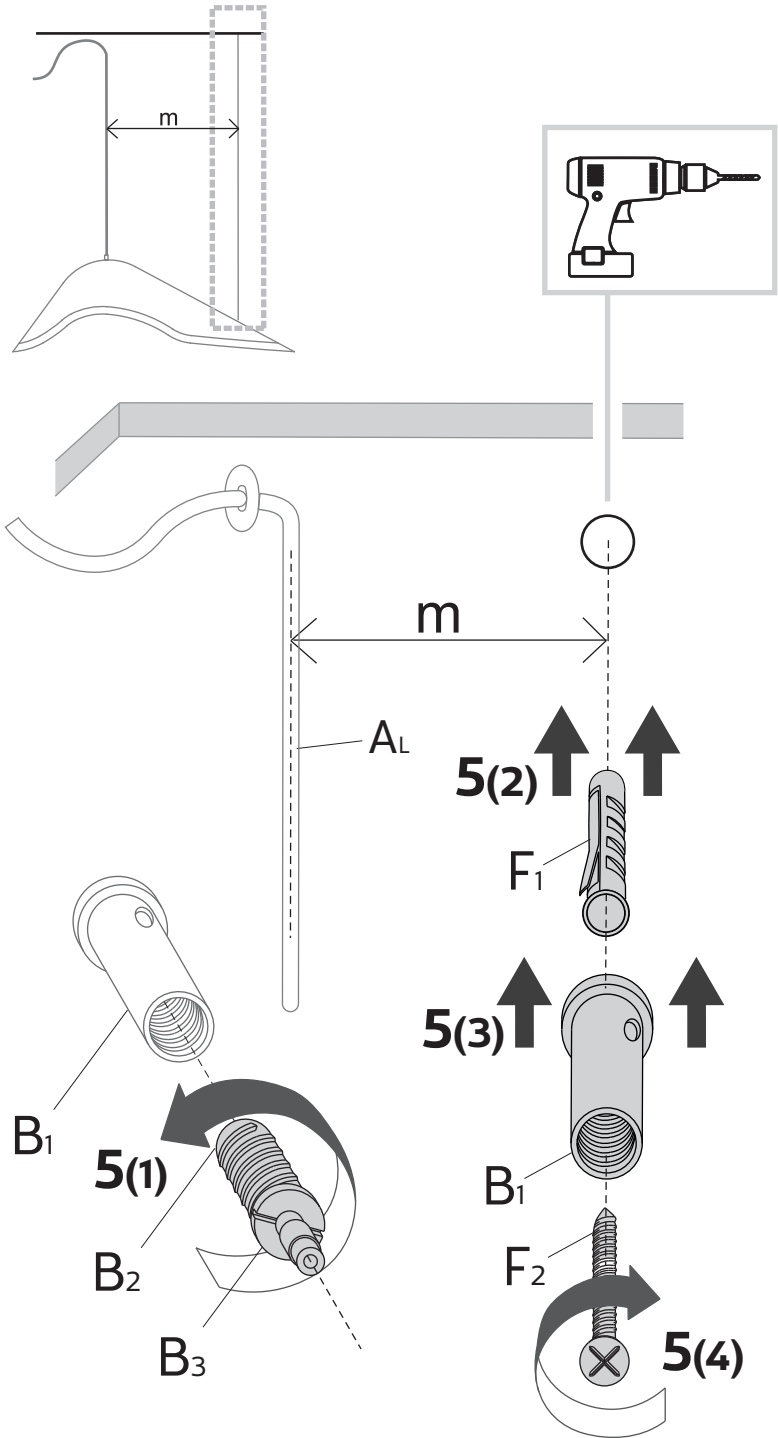


1x F

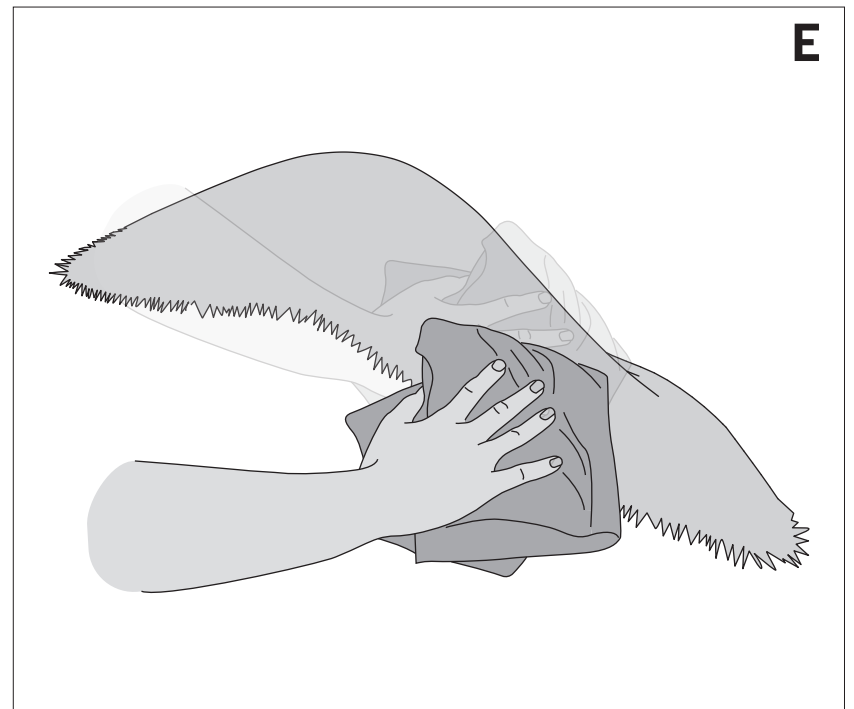
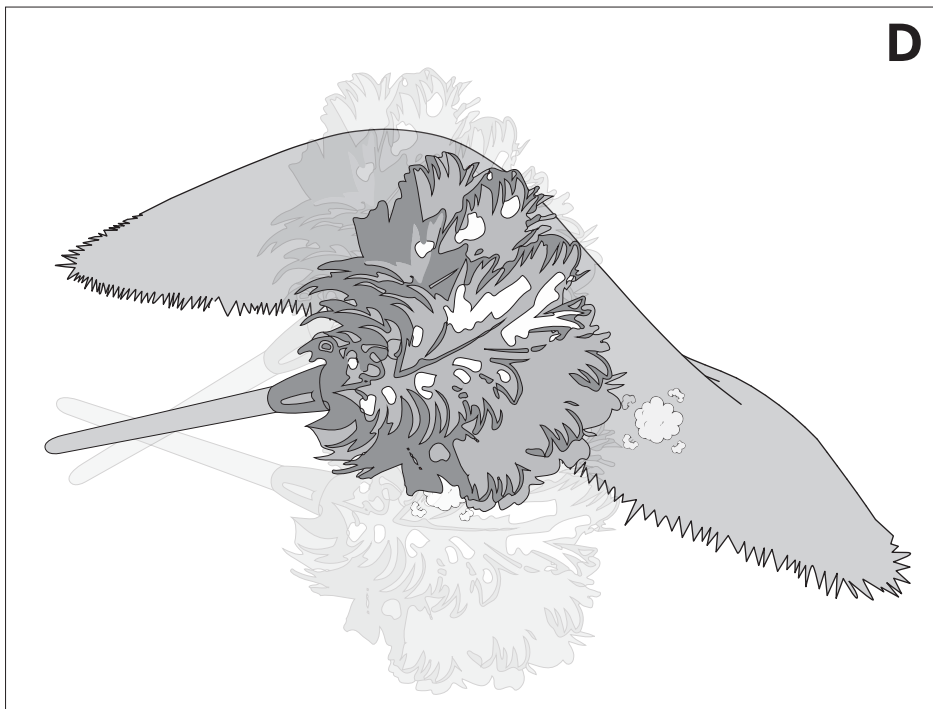
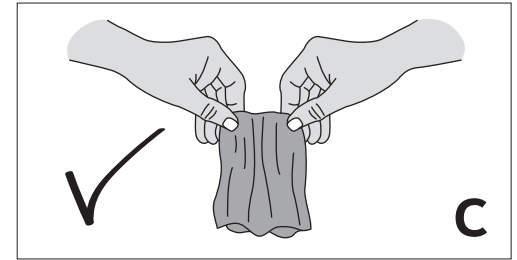
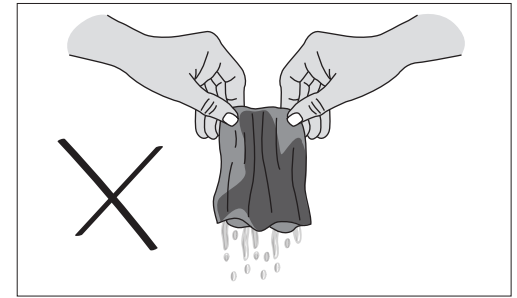
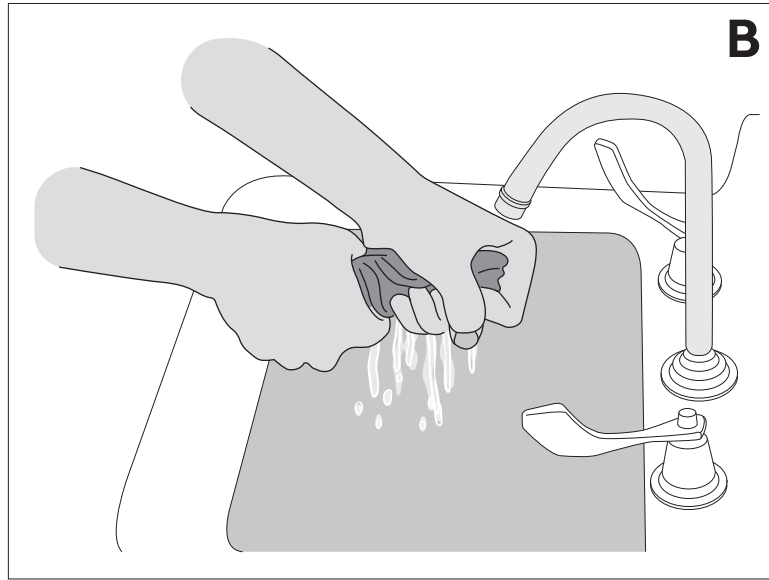
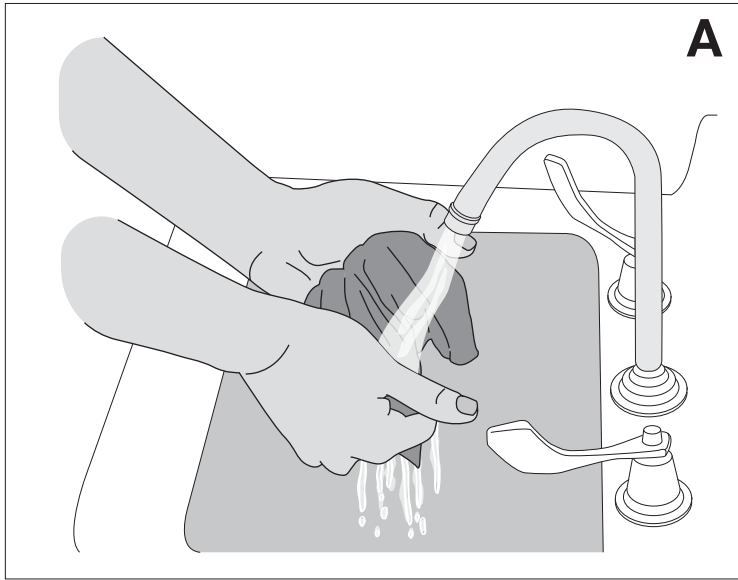


1

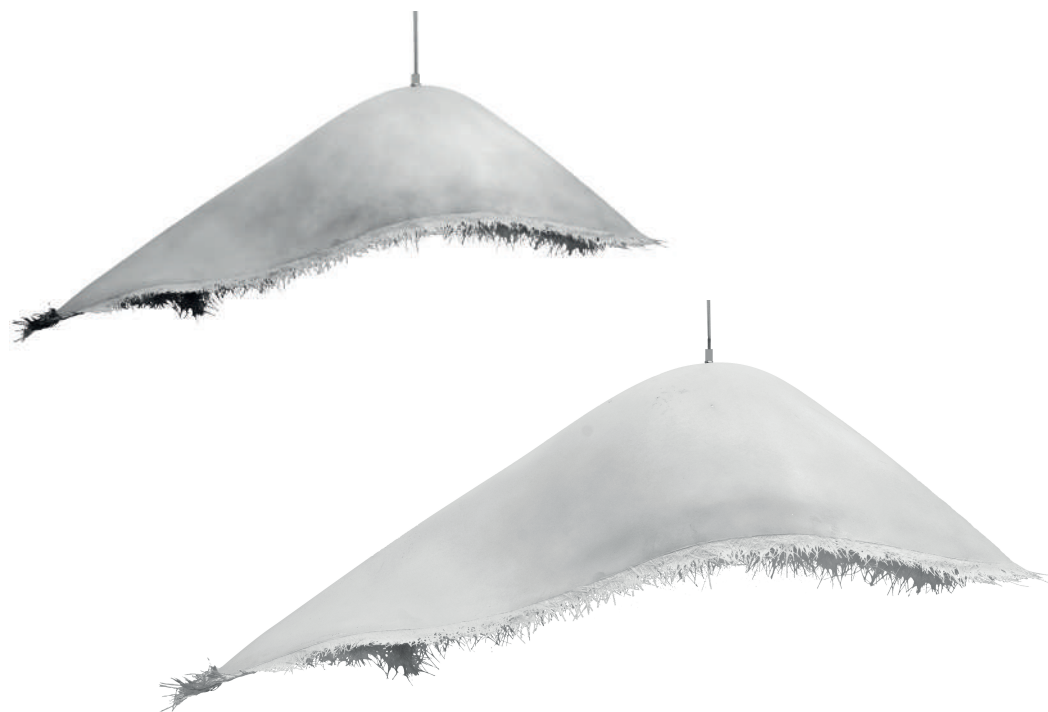






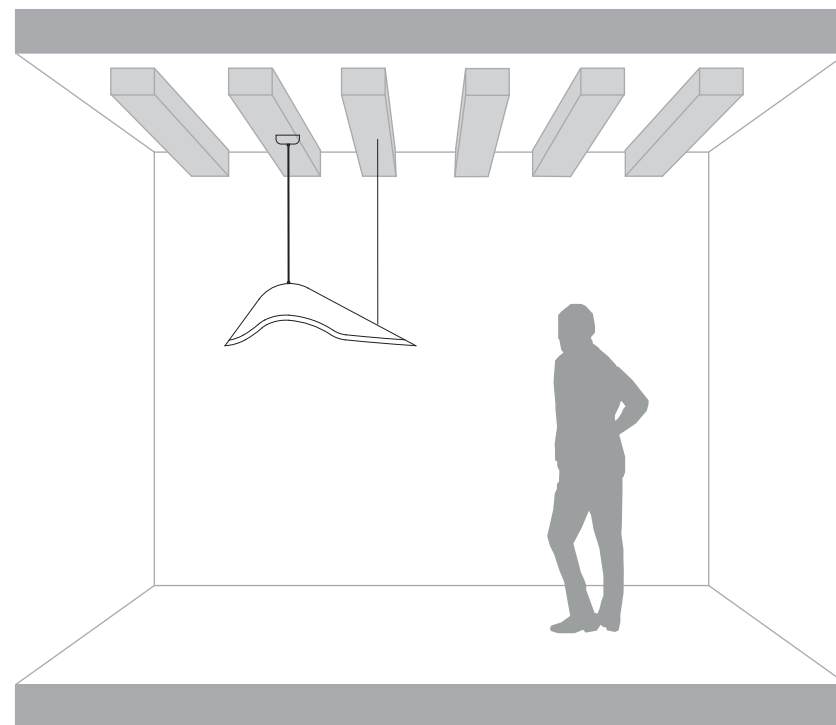


# MOBY DICK



SE646P-EXT  
SE647G-EXT  
optional  
SR010 2B EXT

220-240 V.  
max 1x20W - E27



IP44    

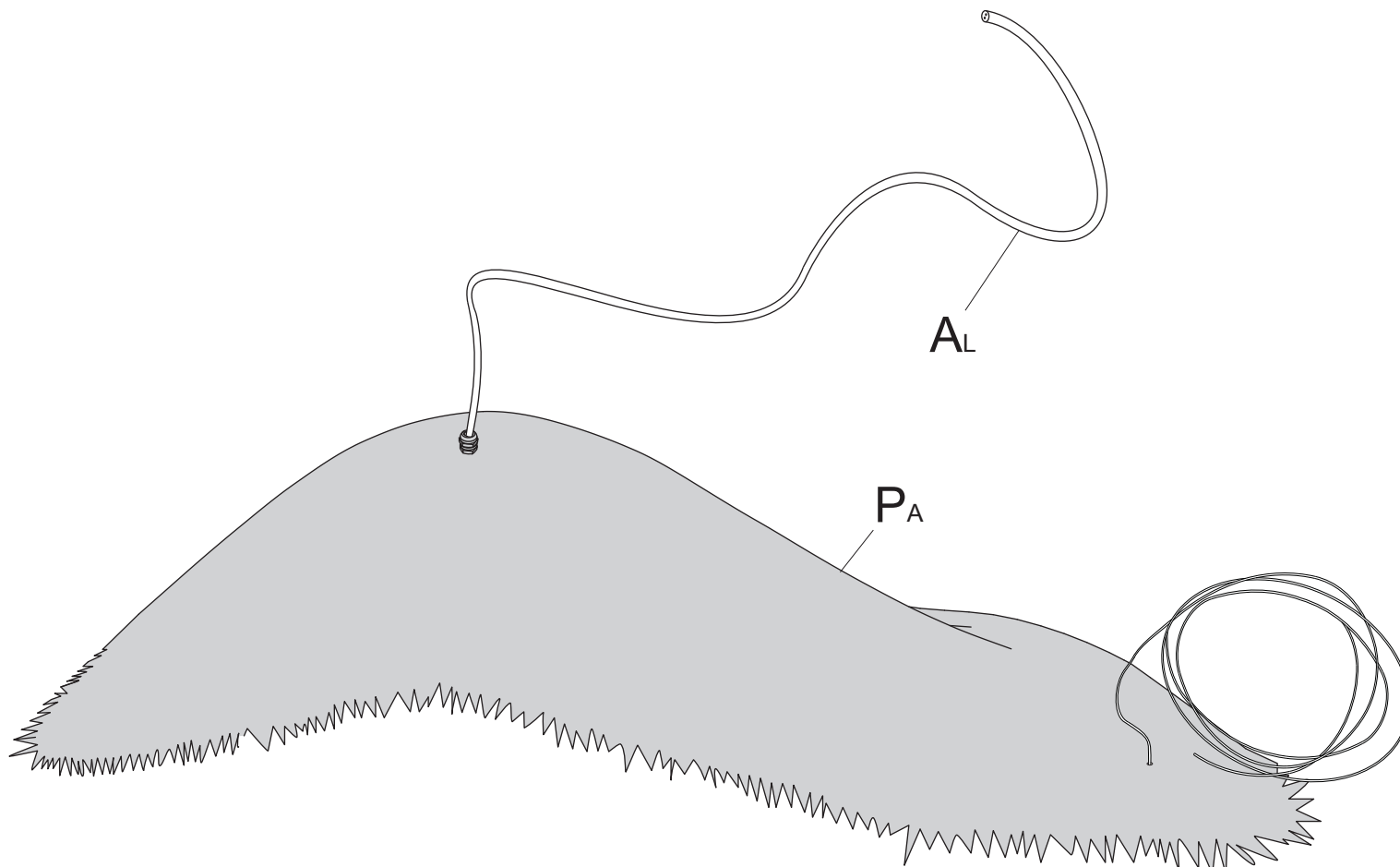
Karman srl

Via A. Grandi, San Martino del piano, 61034 Fossombrone (PU), Italy - p.iva 02175640412 tel +39 0721 71 5042 r.a fax +39 0721 716640 - [www.karmanitalia.it](http://www.karmanitalia.it)

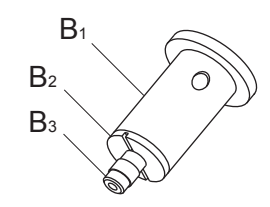




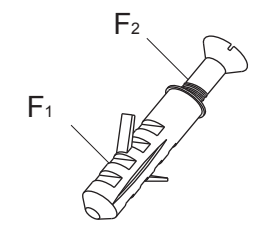
# C - 01



1x **B**



3x **F**



1x **M5**

