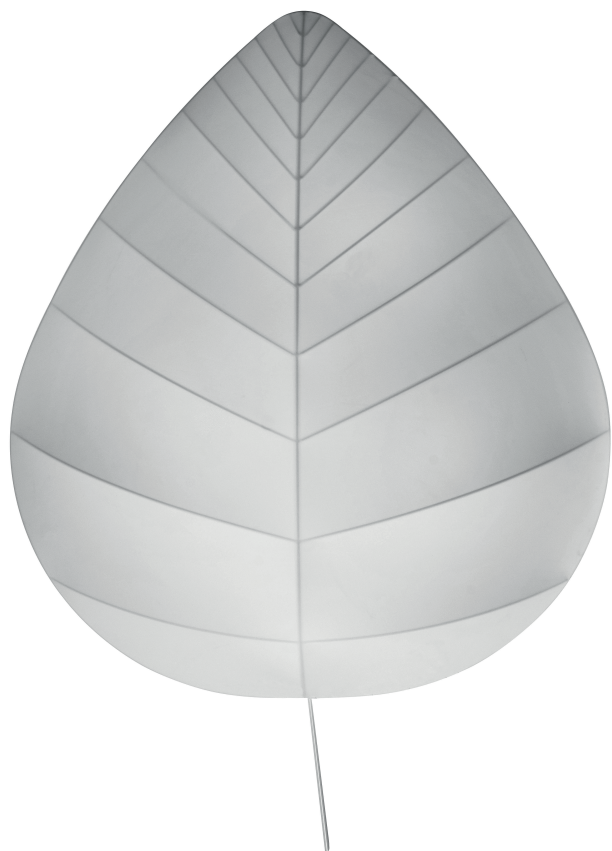
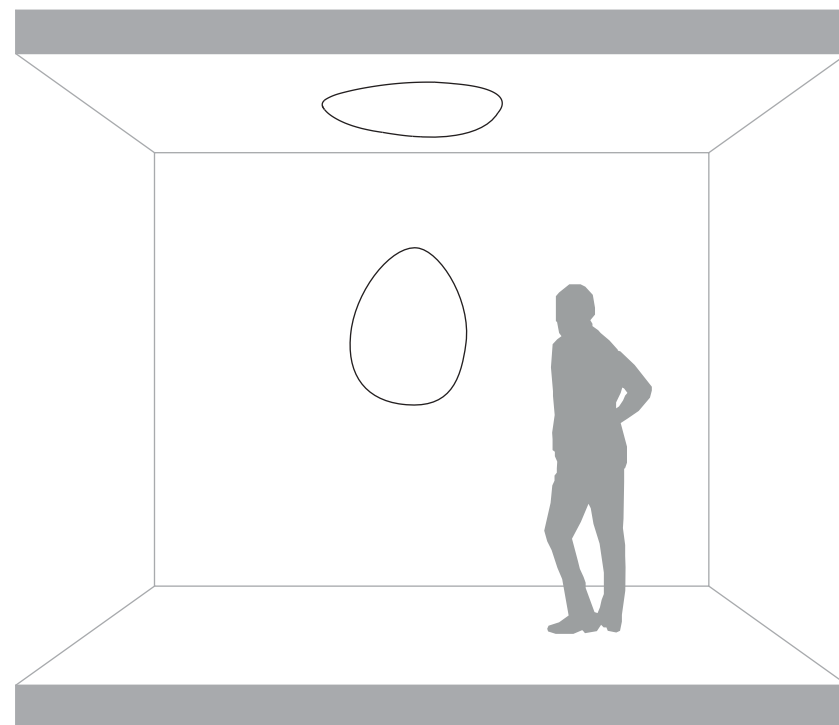


# EDEN collection "EDEN"



AP103 1B INT

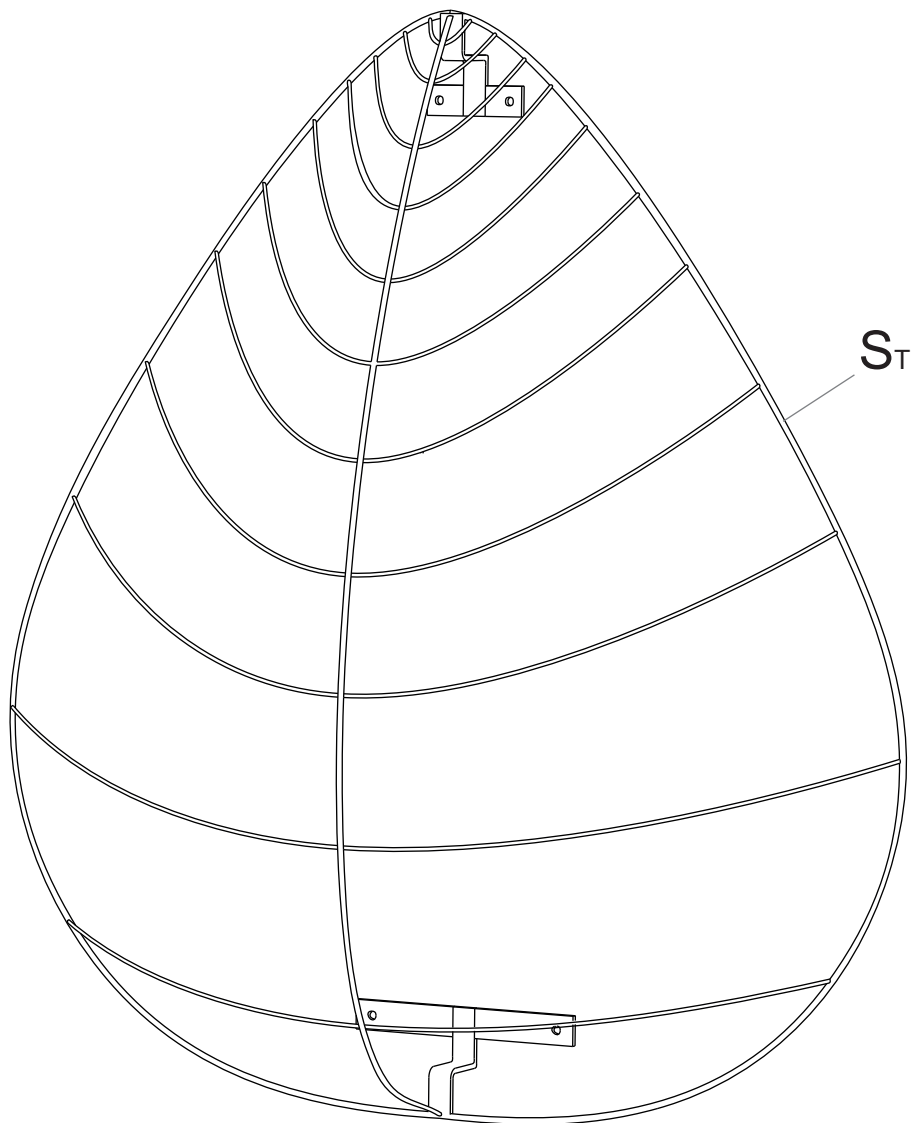
220-240 V.  
max 3x52W - E27



Karman srl

Via A. Grandi, San Martino del piano, 61034 Fossombrone (PU), Italy - p.iva 02175640412 tel +39 0721 71 5042 r.a fax +39 0721 716640 - [www.karmanitalia.it](http://www.karmanitalia.it)

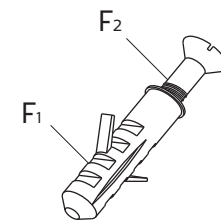




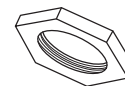
2x **r**



6x **F**



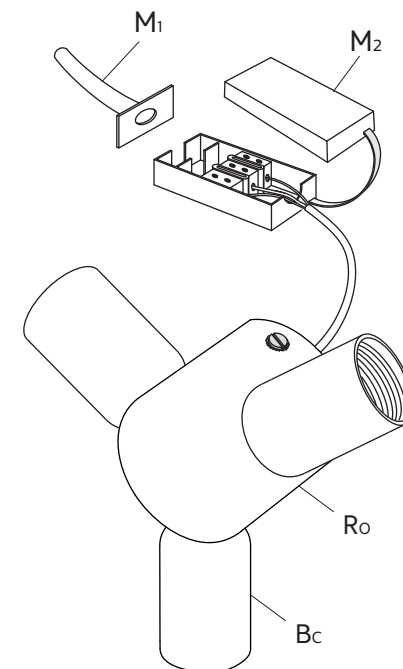
1x **D**



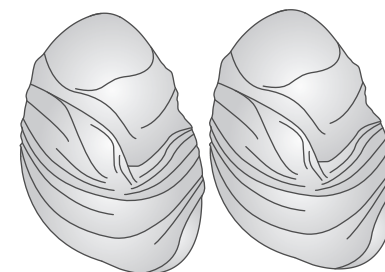
1x **G**

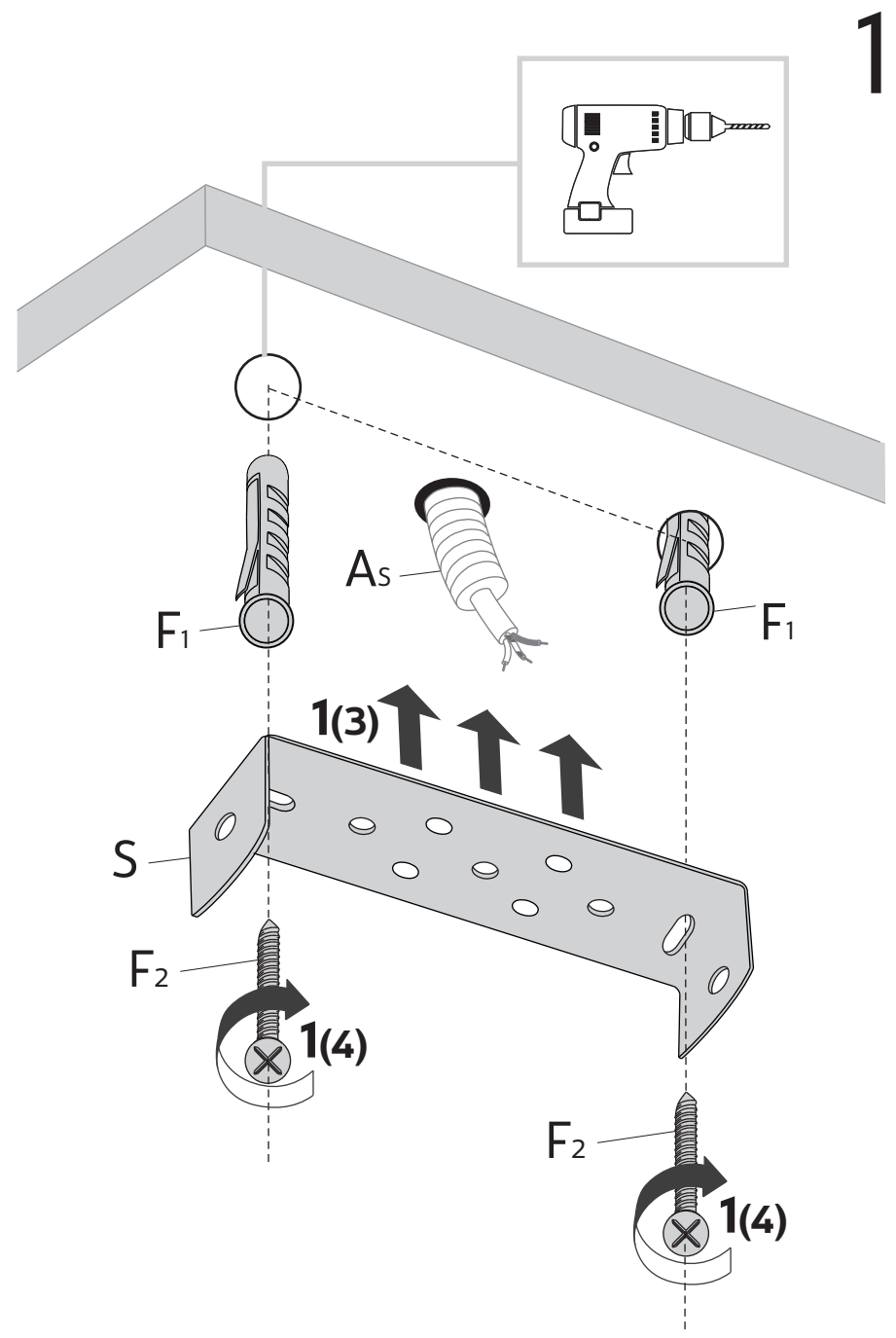
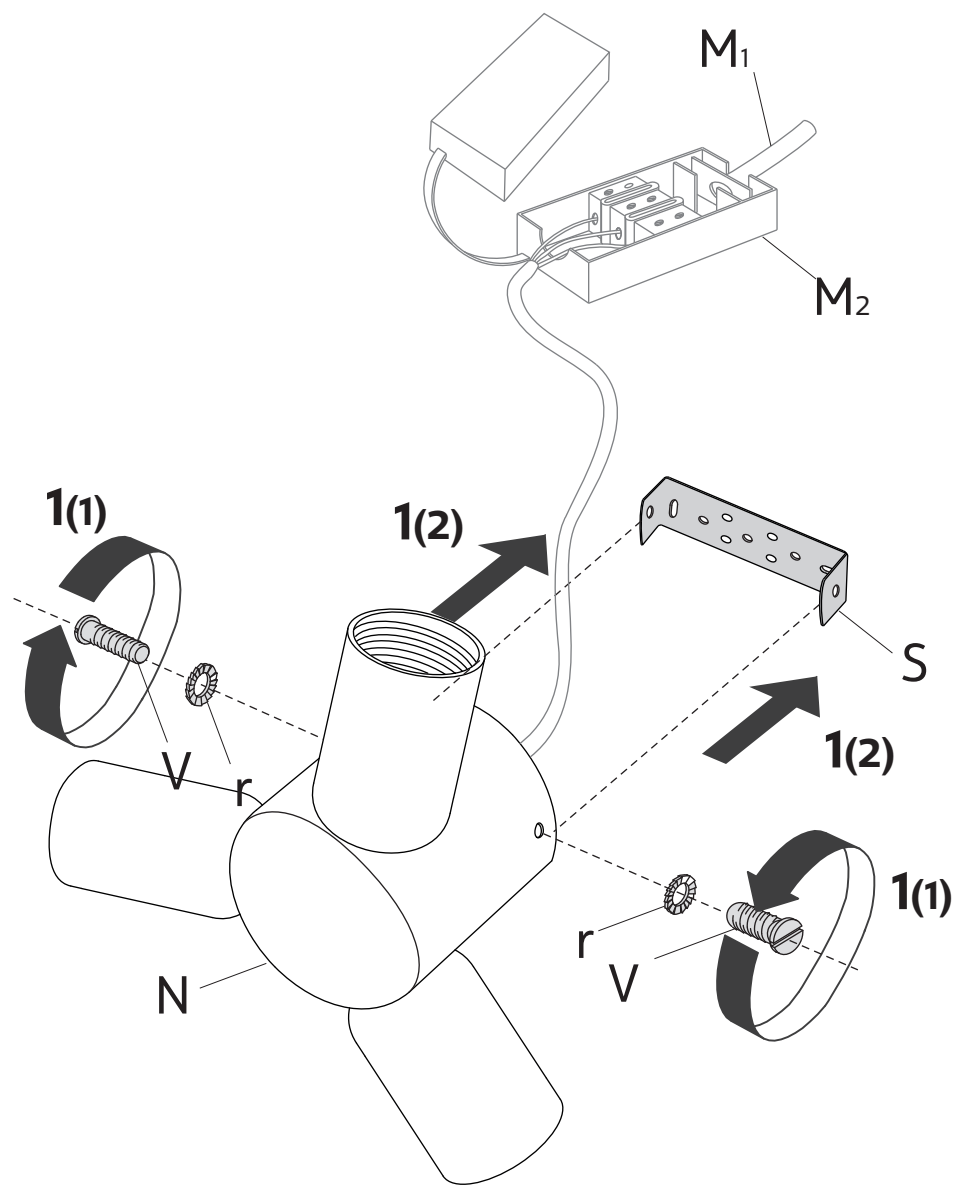


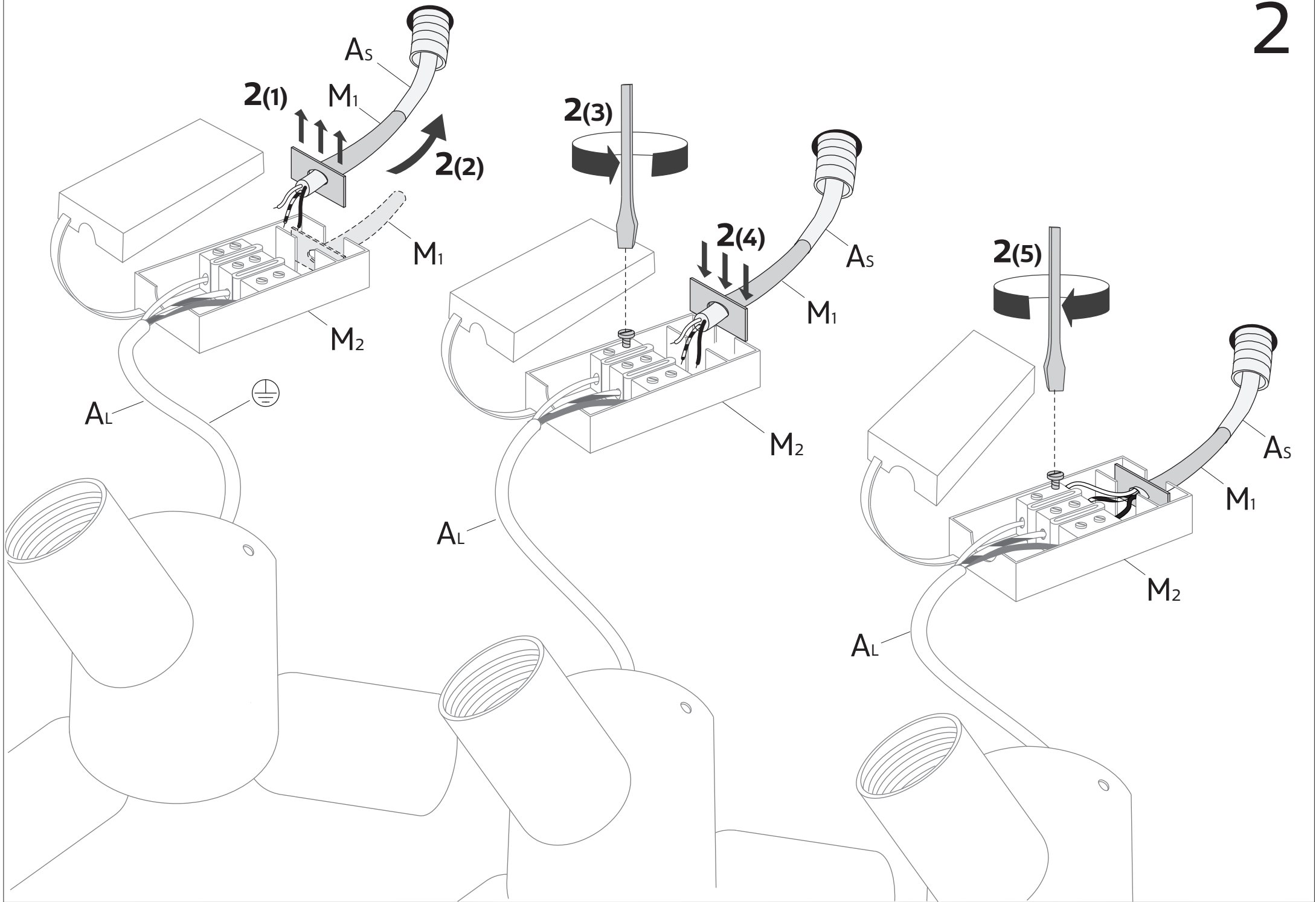
1x **N**

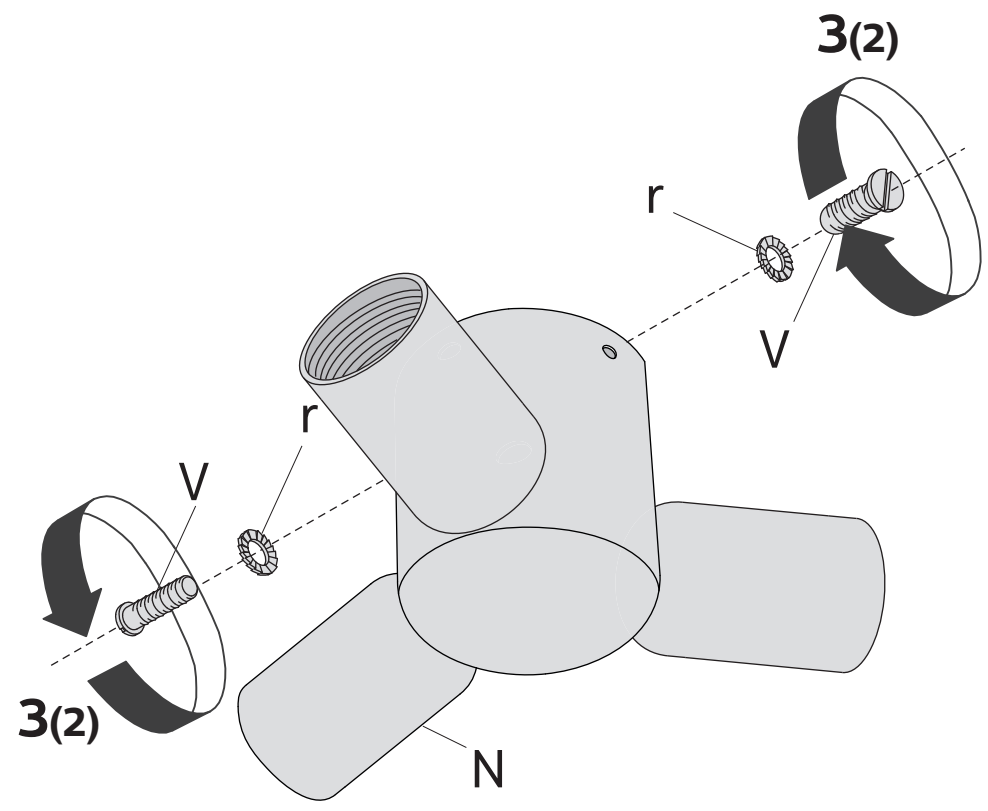
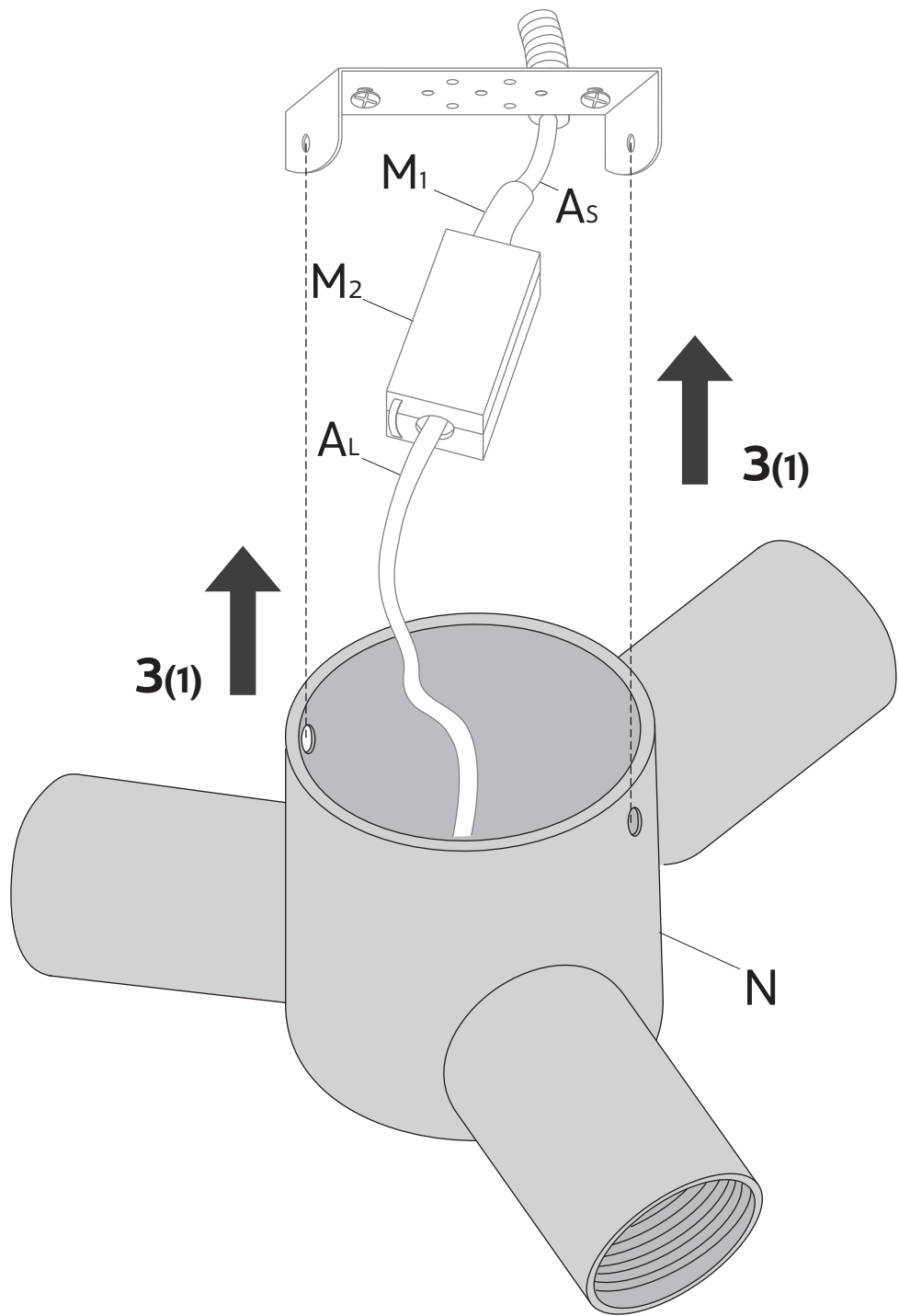


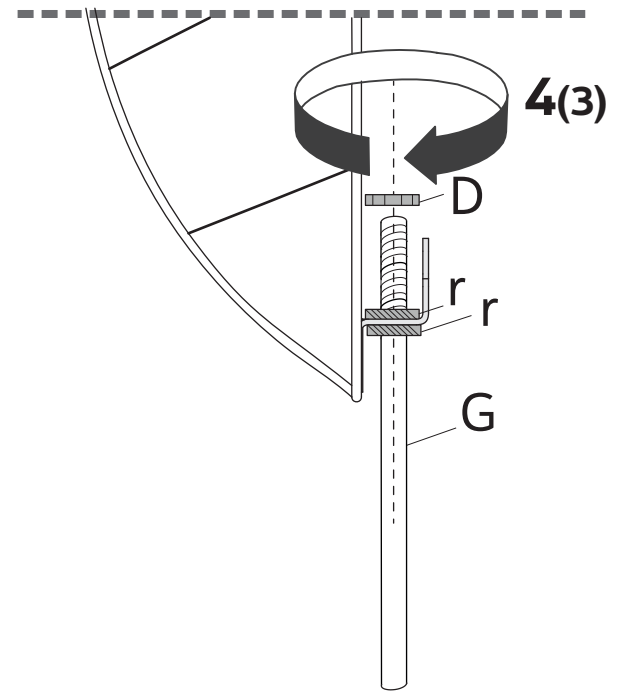
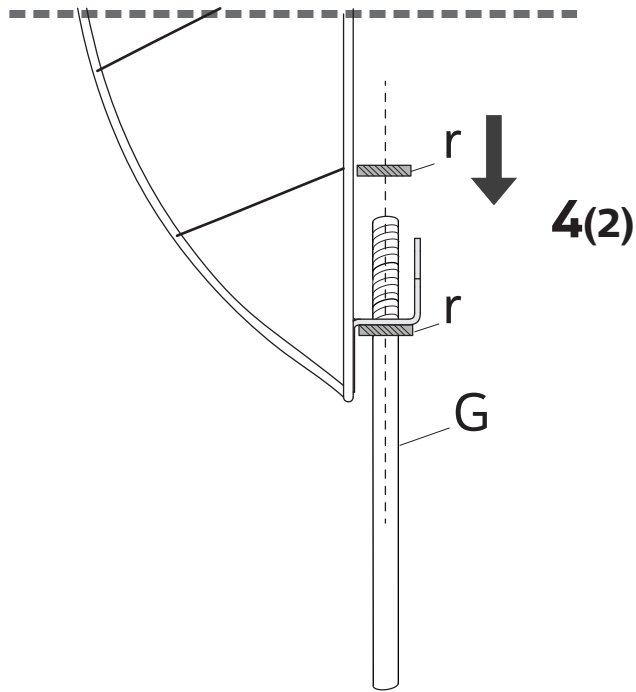
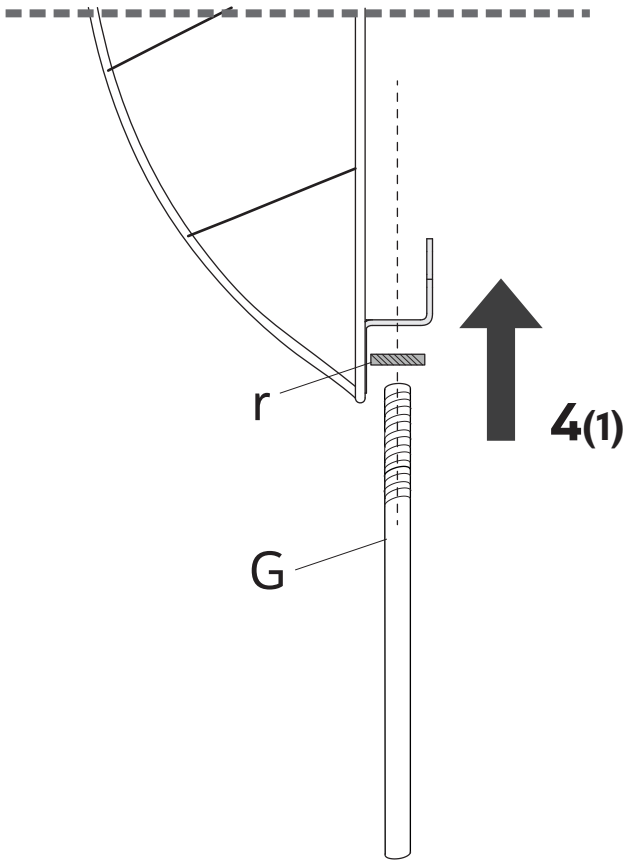
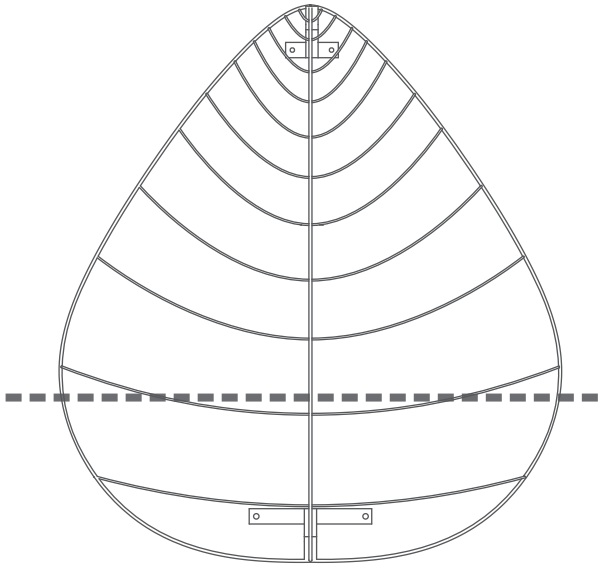
2x **CU**

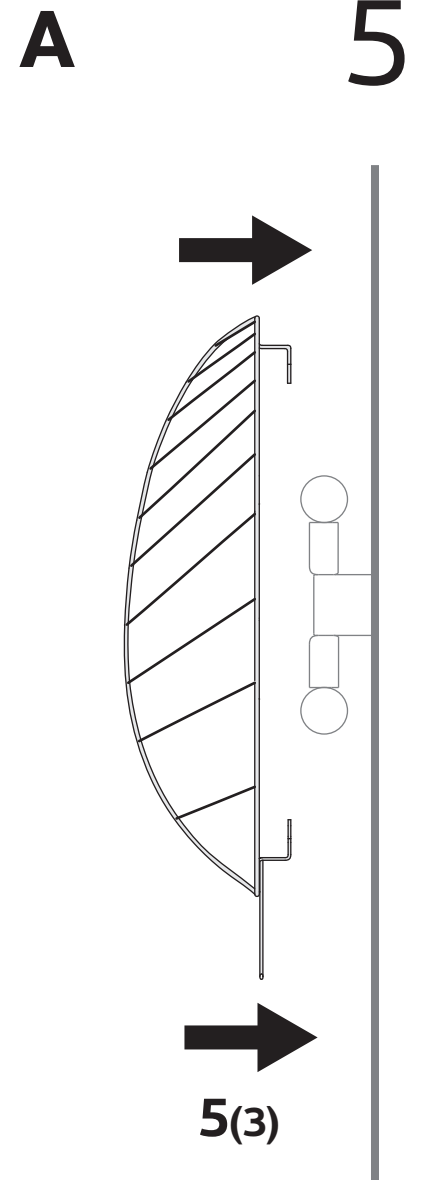
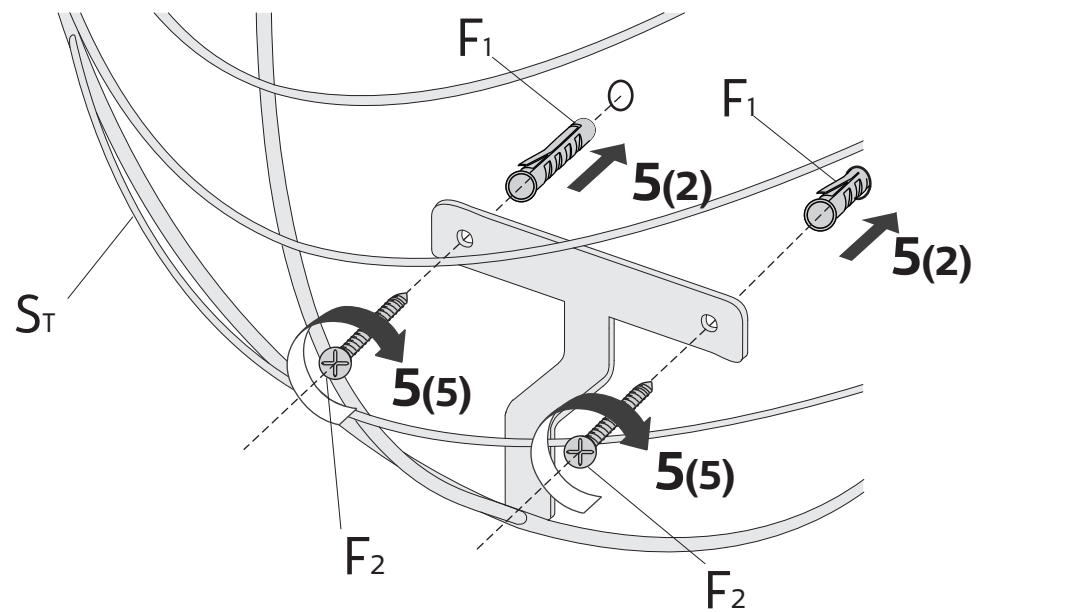
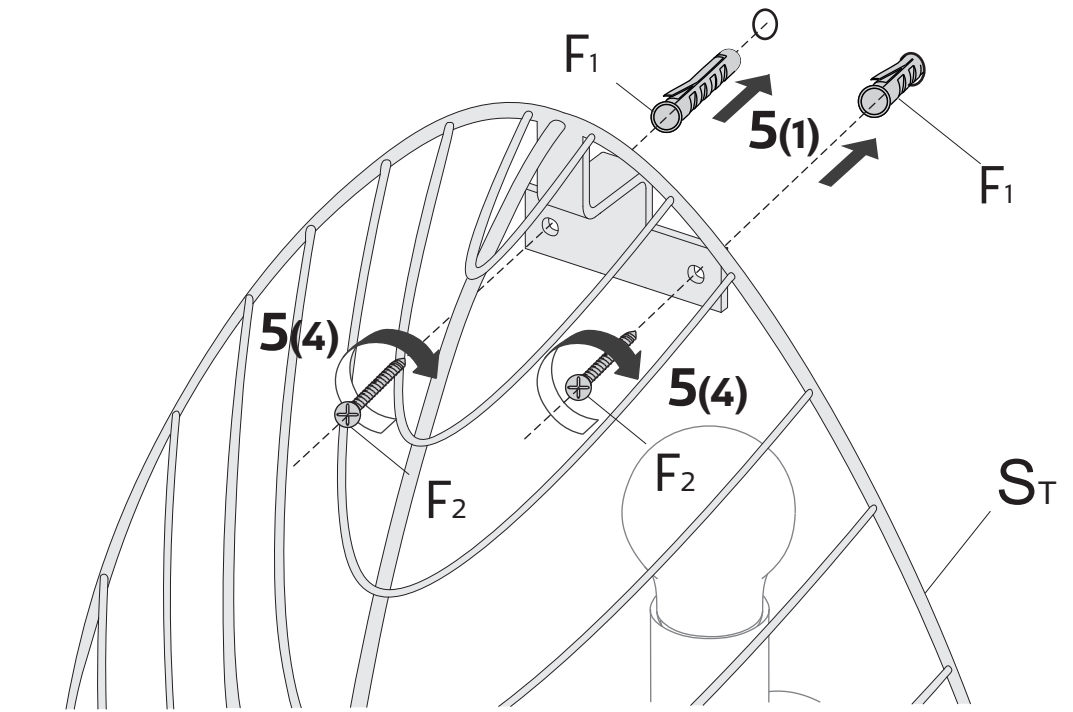
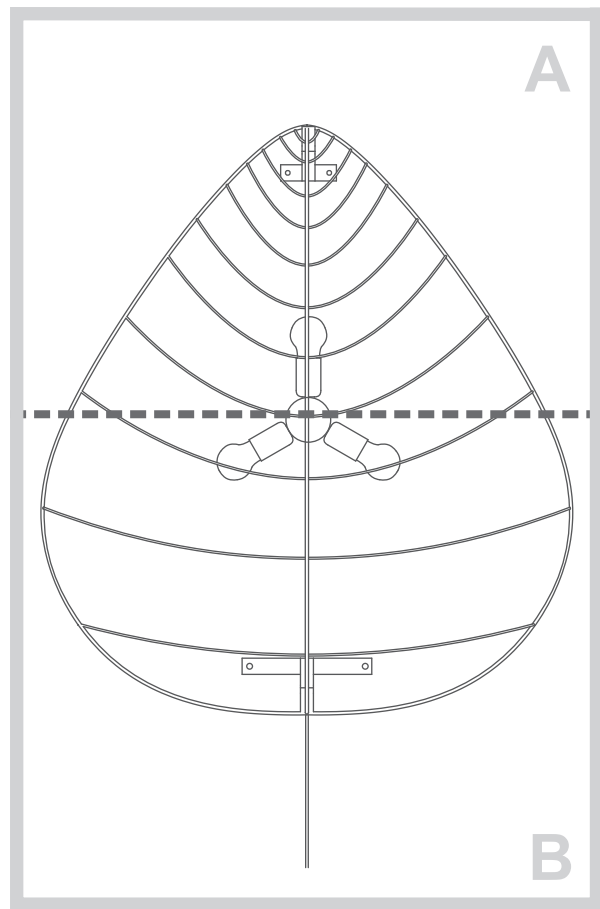






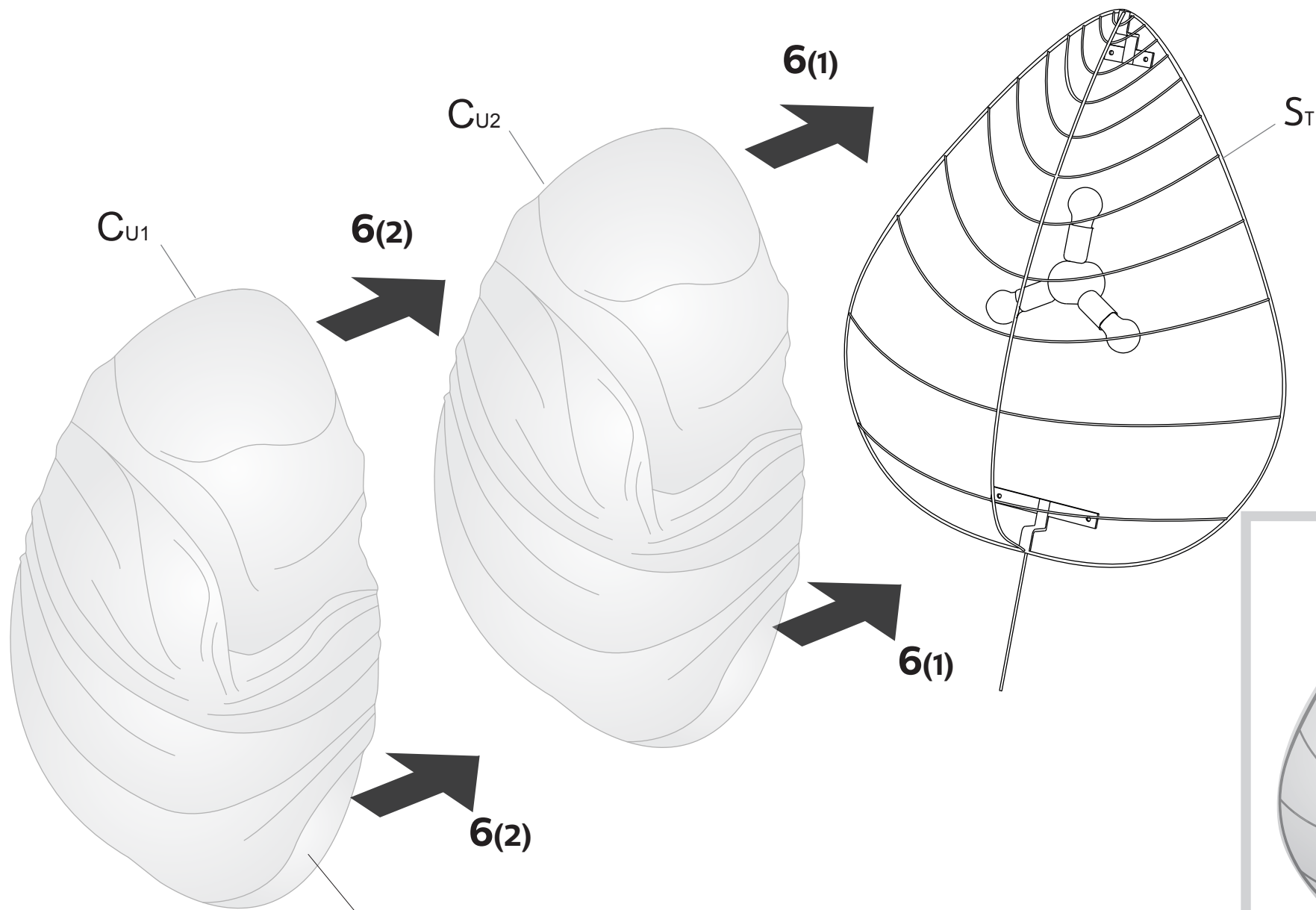






**B**





Lavare con acqua fredda  
wash with cold water

