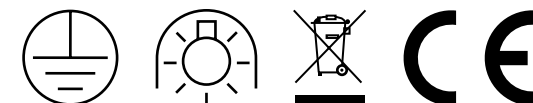
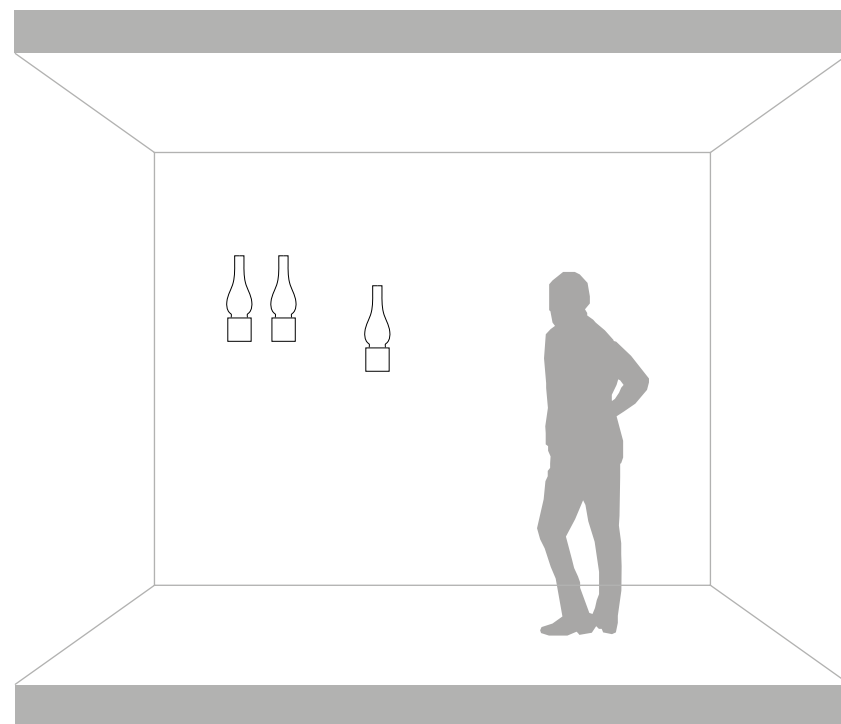


# AMARCORD

AP121 1B INT  
AP121 BF INT  
AP121 BS INT

AP121 GT INT  
AP121 1G INT  
AP121 GS INT

220-240V  
1 x max 52W - E27

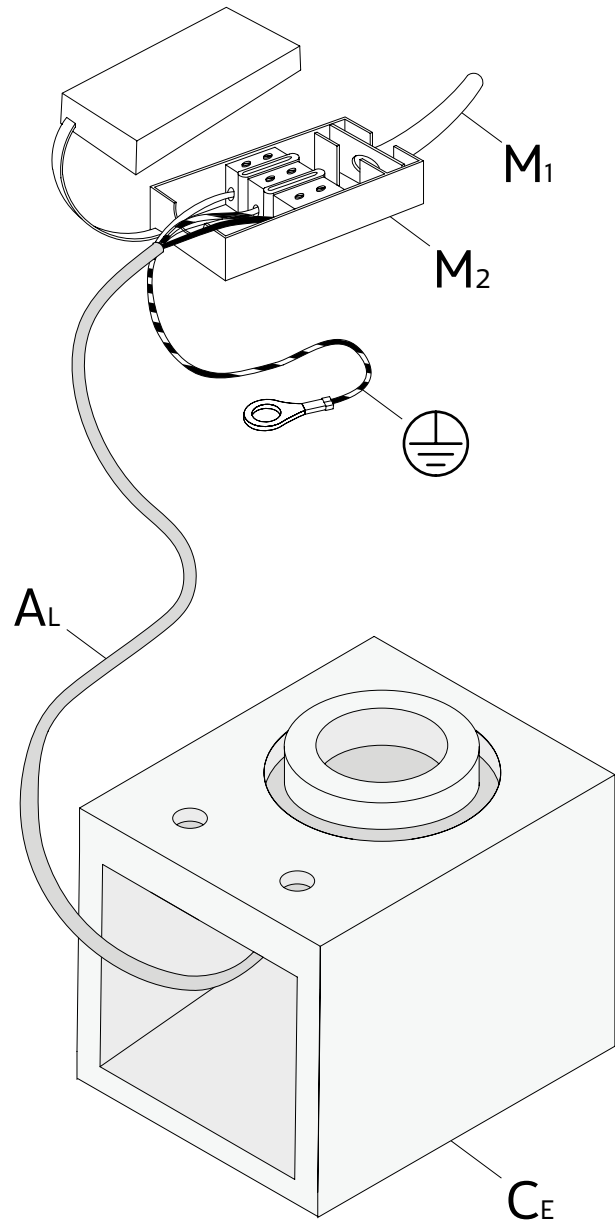


Karman srl

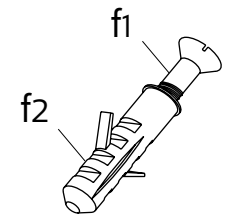
Via A. Grandi, San Martino del piano, 61034 Fossombrone (PU), Italy - p.iva 02175640412 tel +39 0721 71 5042 r.a fax +39 0721 716640 - [www.karmanitalia.it](http://www.karmanitalia.it)



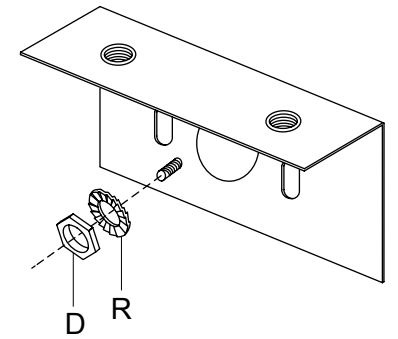
# C - 01



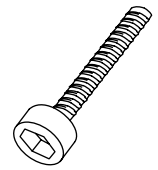
2x **f**

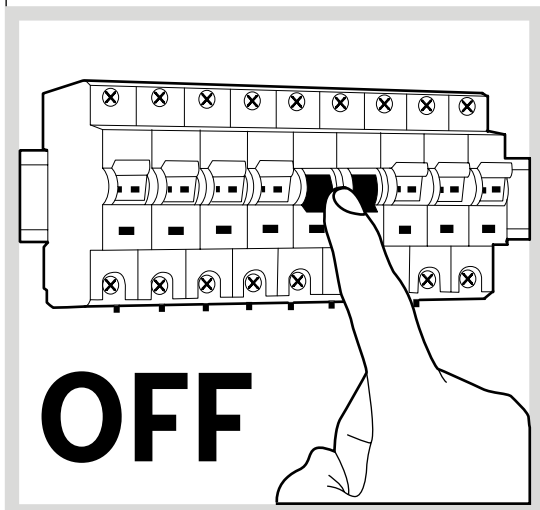
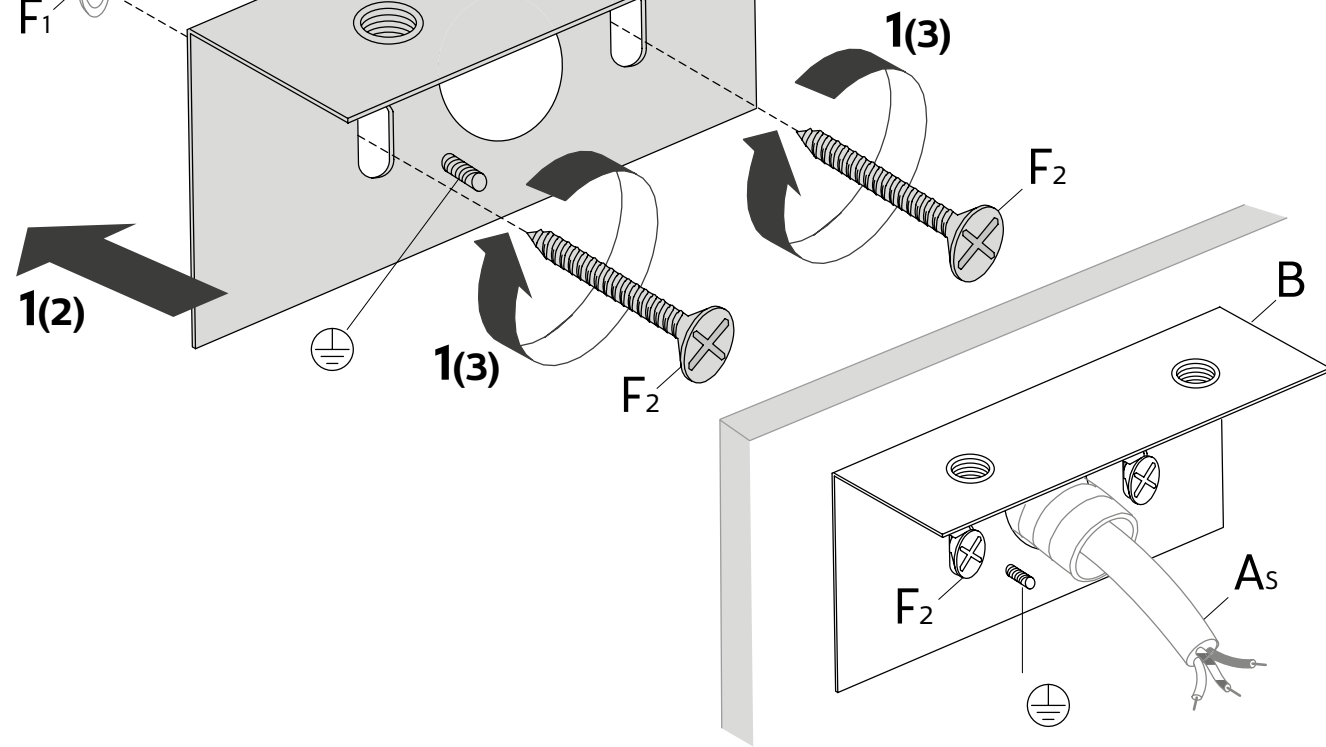
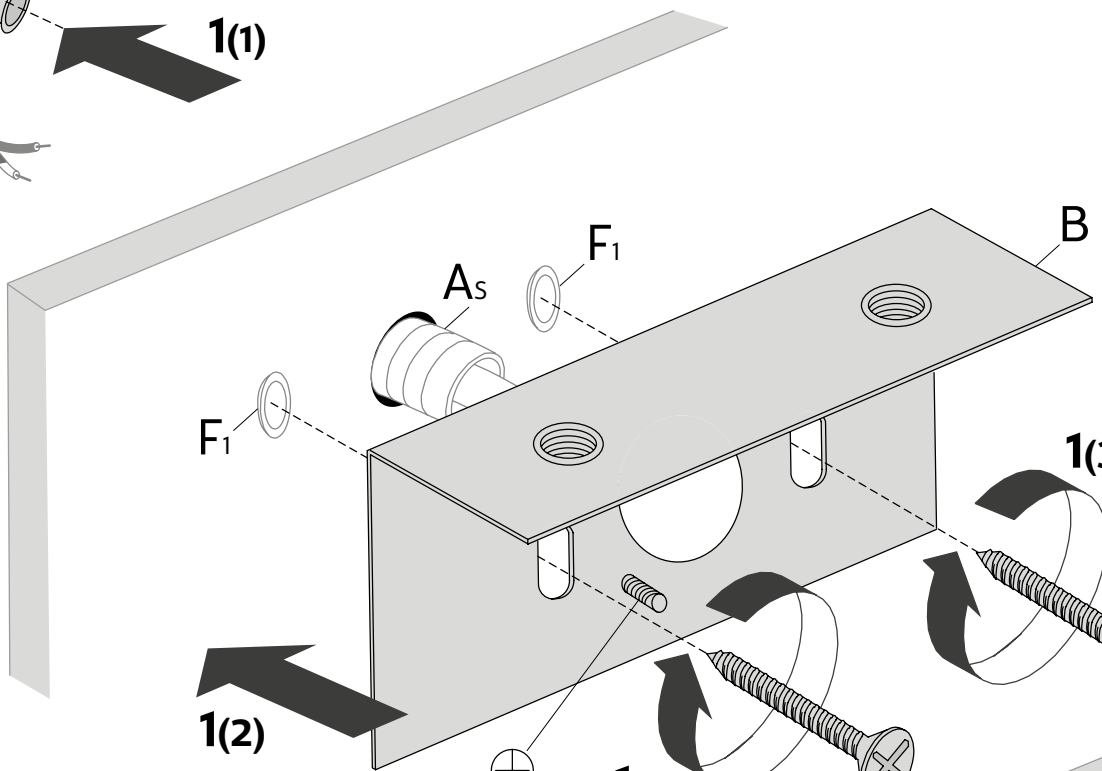
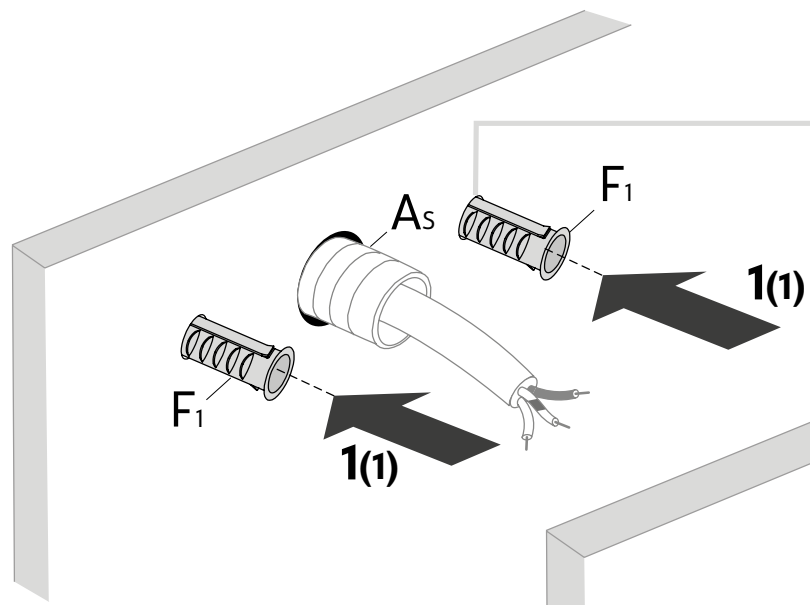
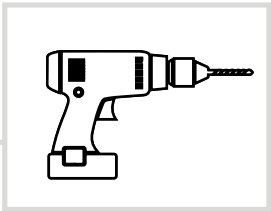


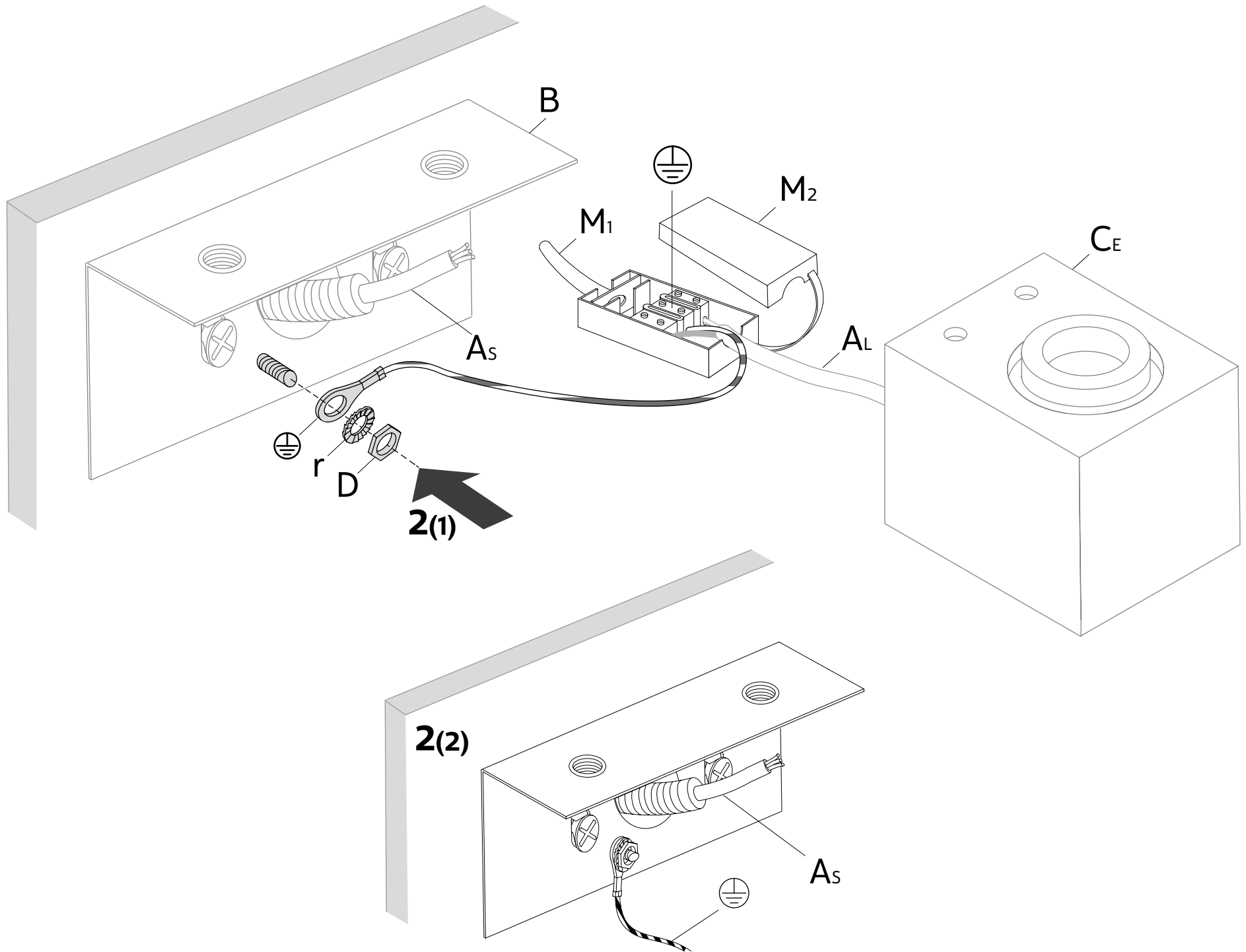
1x **B**



2x **V**







2(1)

2(2)

B

M1

M2

CE

As

AL

r

D

As

