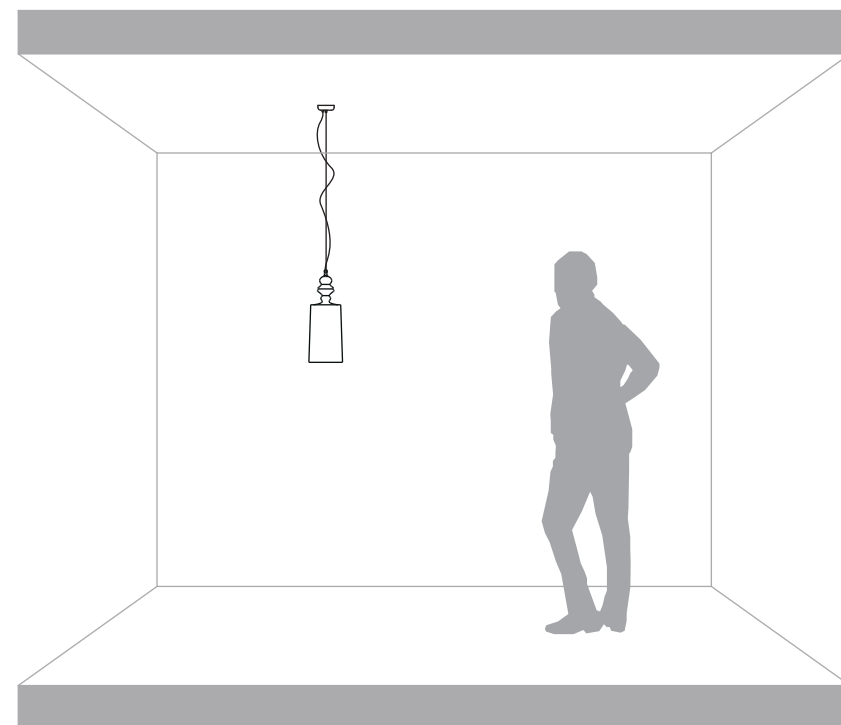


# ALIBABABY



**SE1017BC**

**220-240 V.  
max 1x52W - E27**

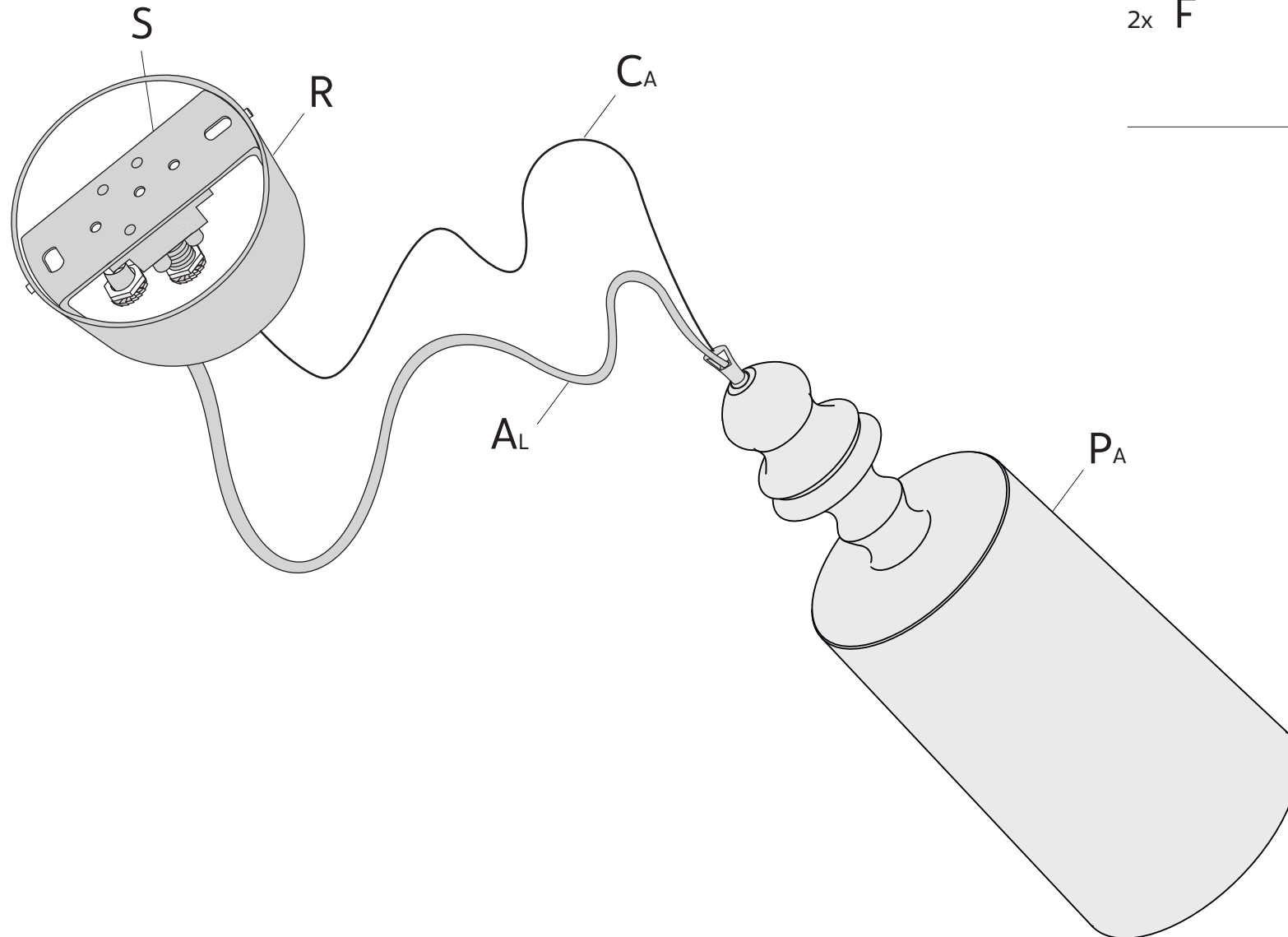


**Karman srl**

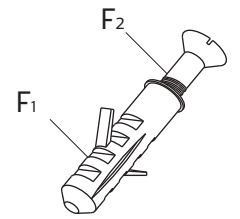
Via A. Grandi, San Martino del piano, 61034 Fossombrone (PU), Italy - p.iva 02175640412 tel +39 0721 71 5042 r.a fax +39 0721 716640 - [www.karmanitalia.it](http://www.karmanitalia.it)

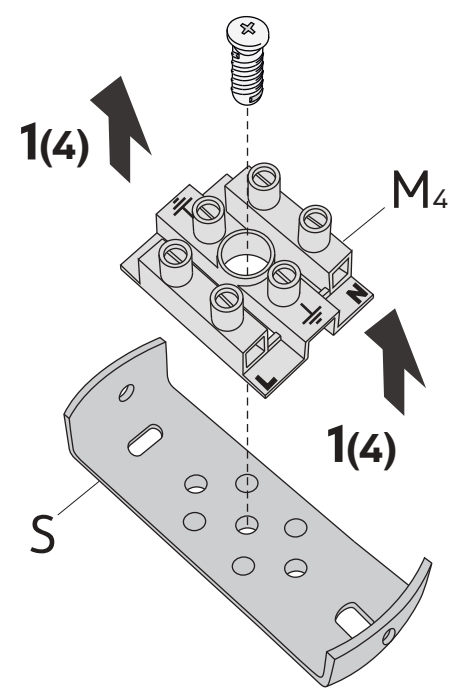
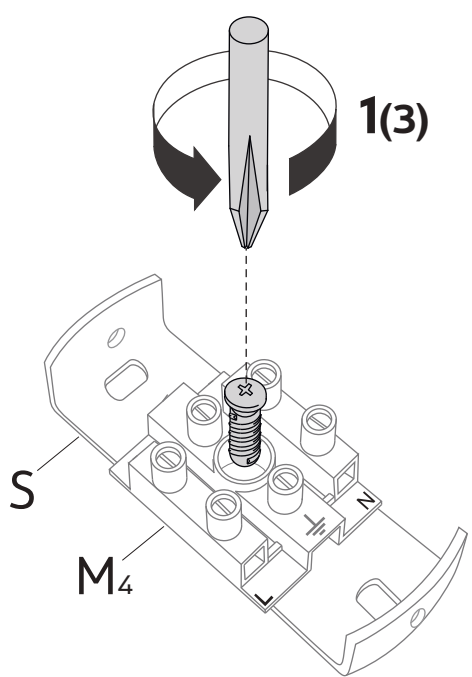
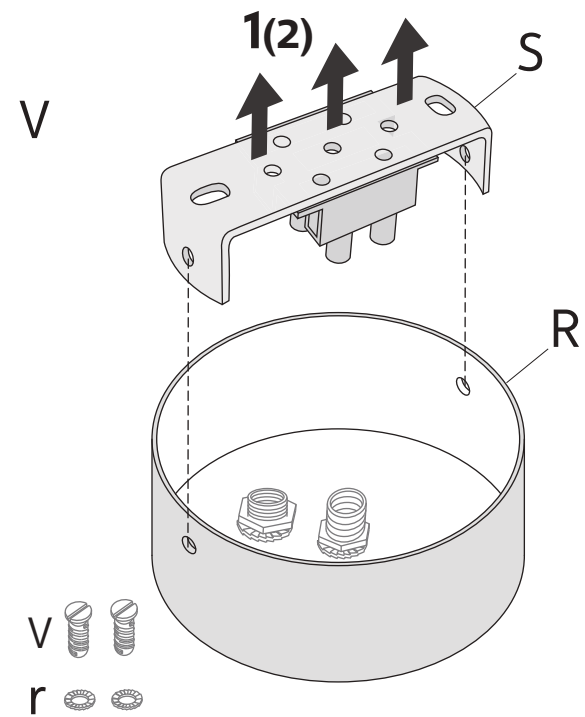
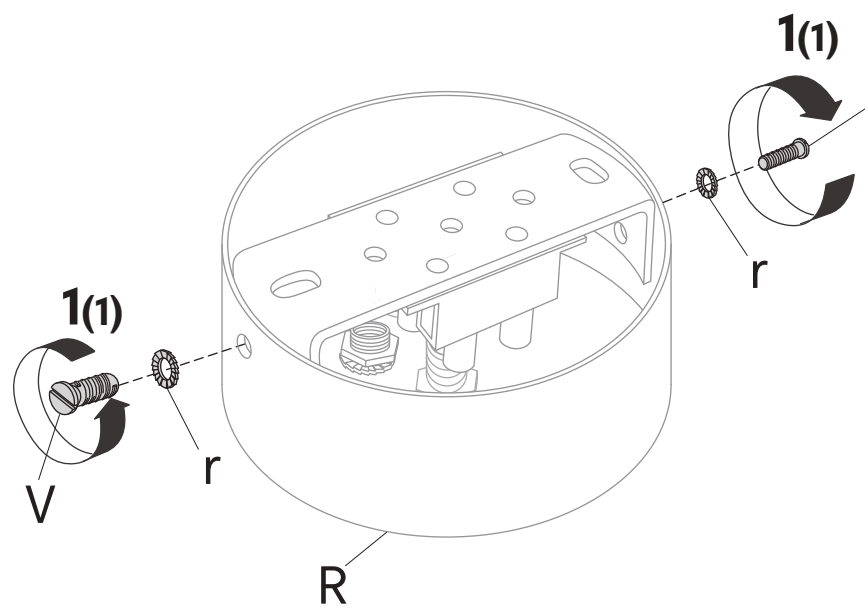


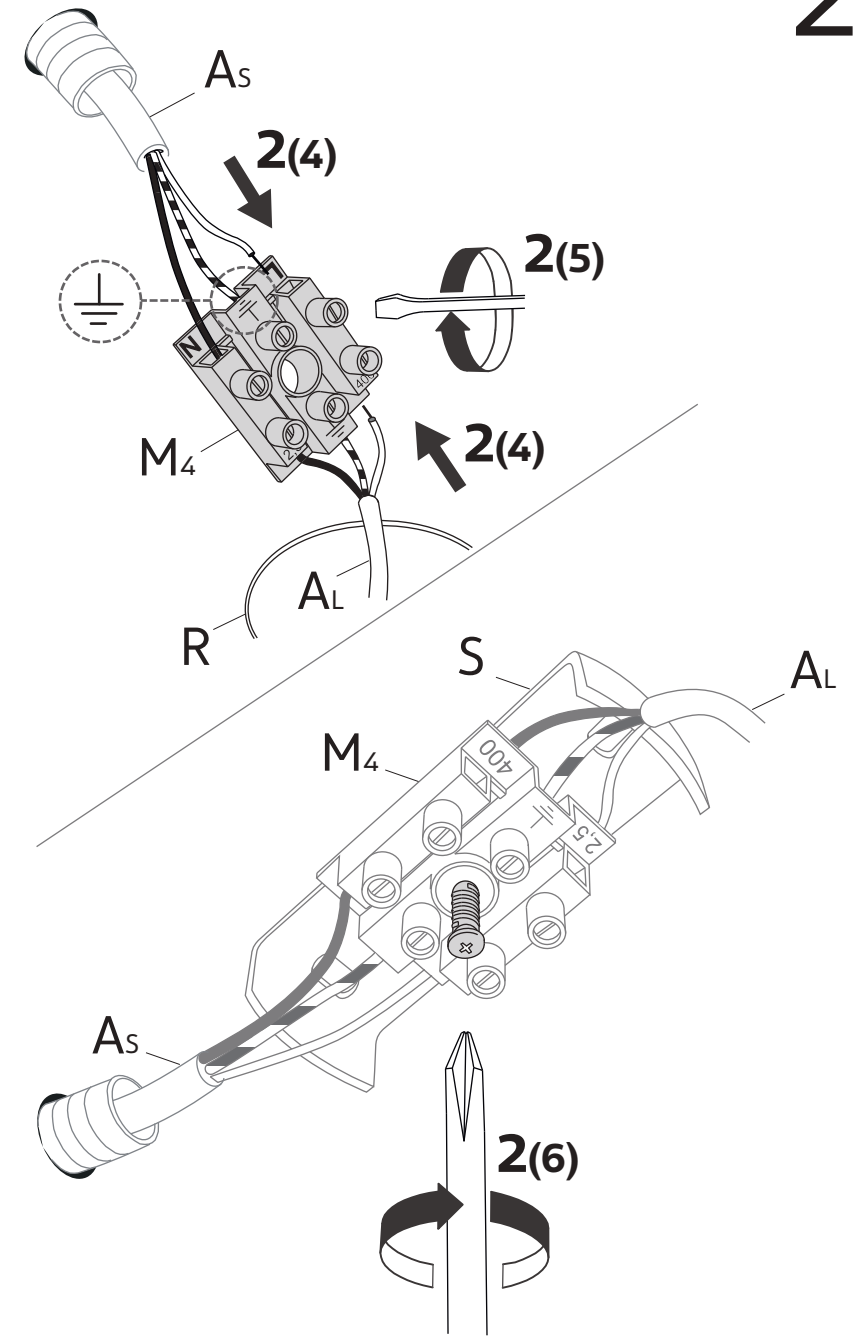
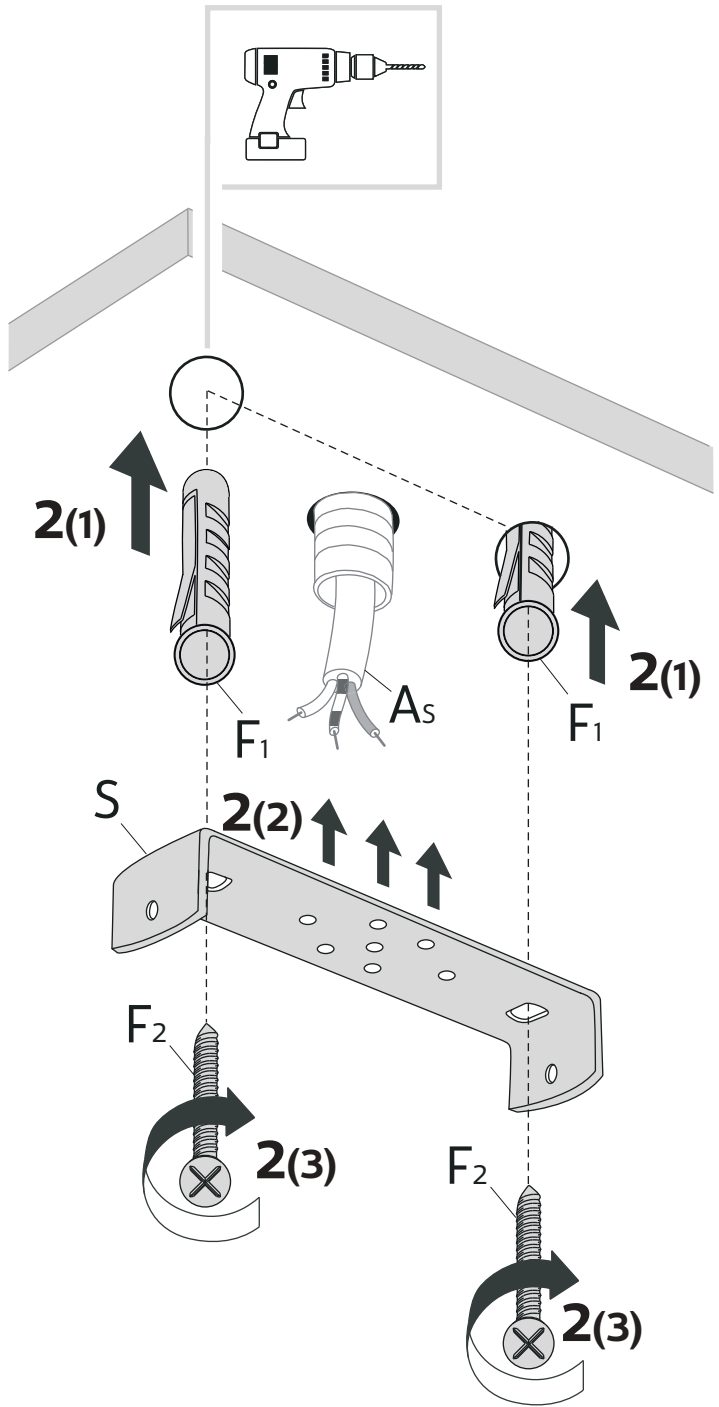
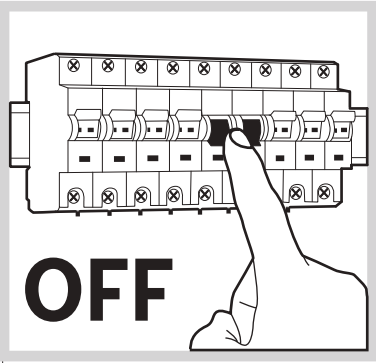
# C - 01

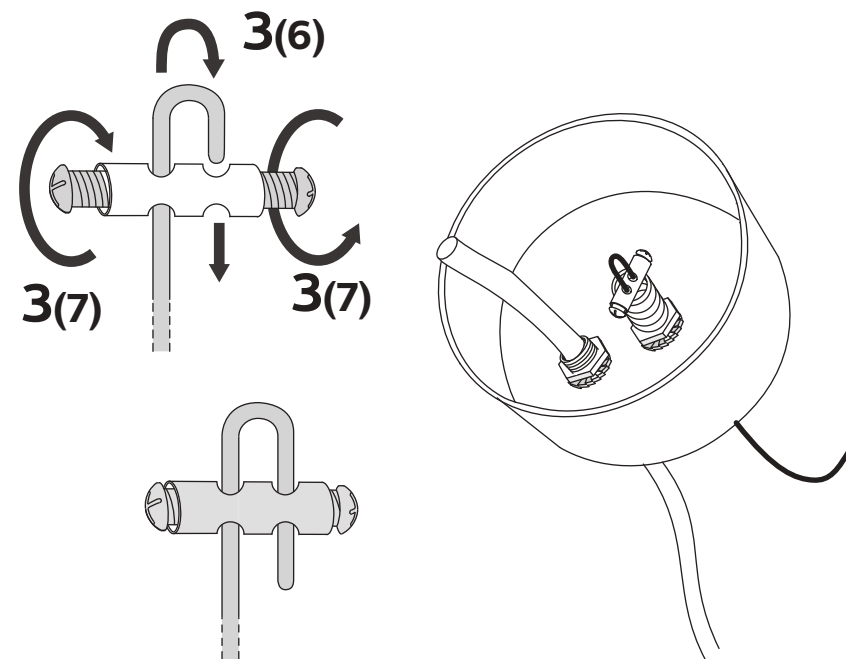
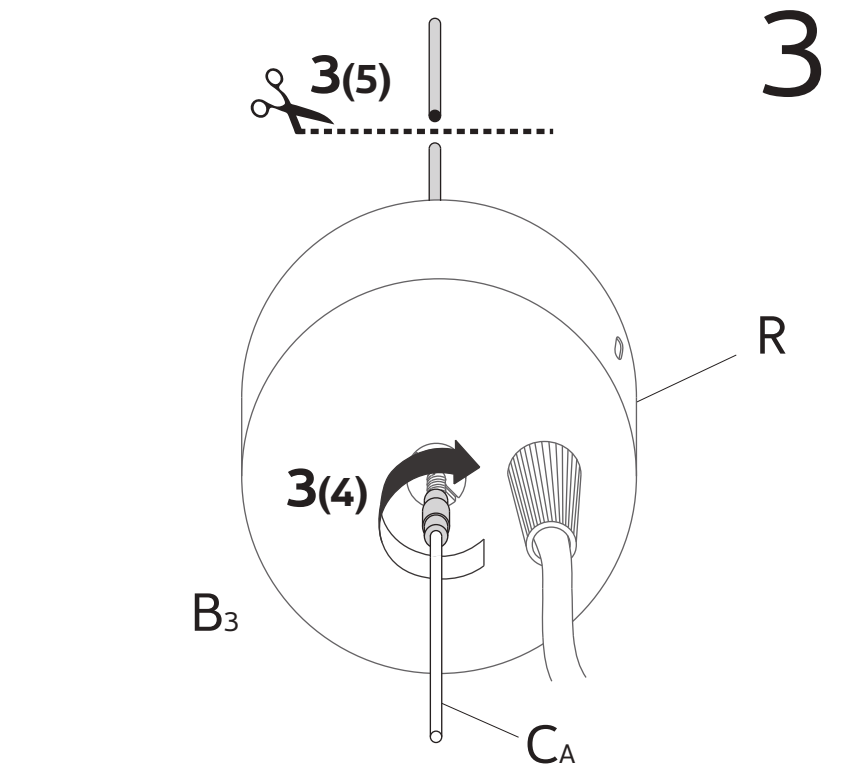
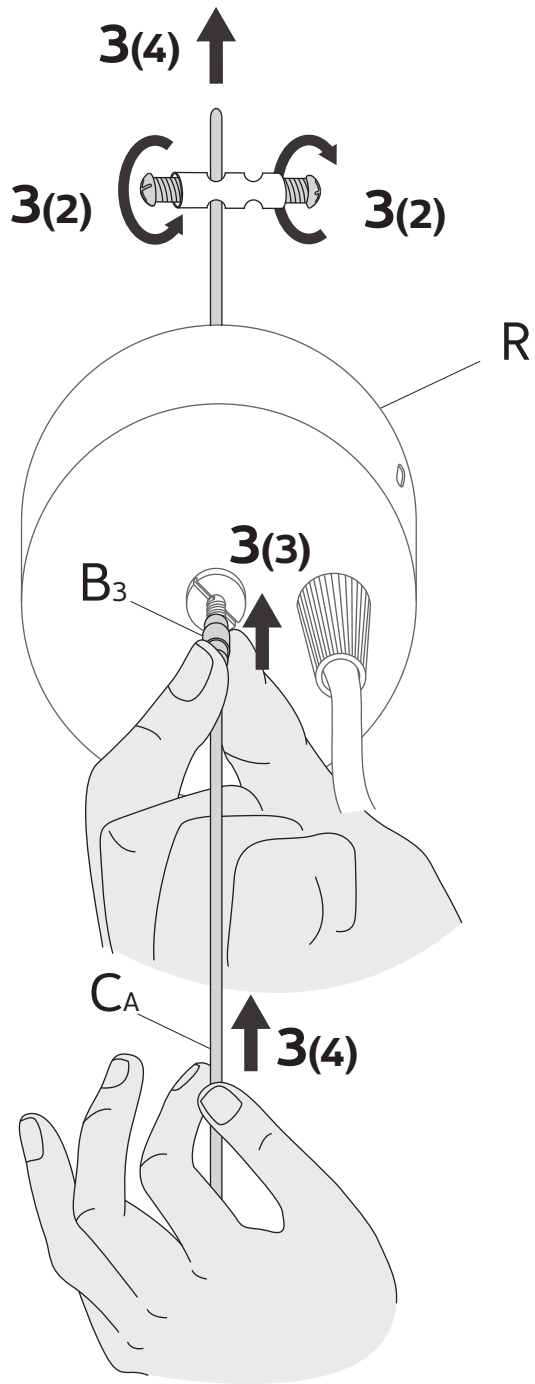
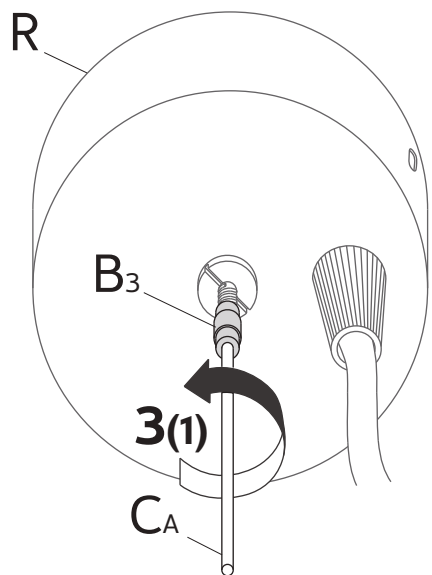
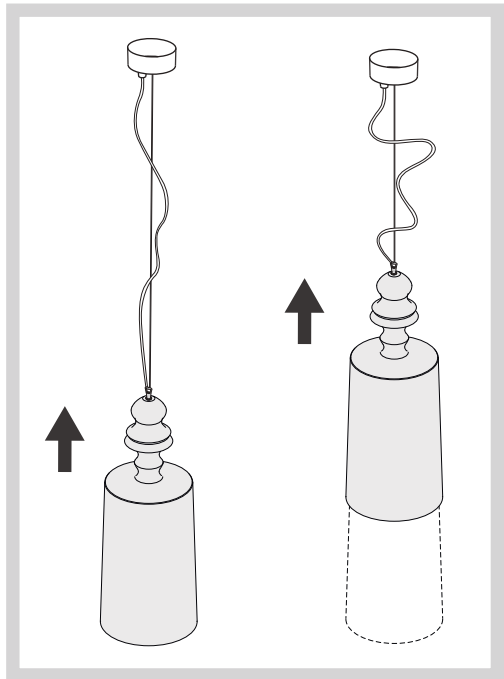


2x F









3

