

ALÌ E BABÀ

SE618BS
SE619BS
SE622BS
SE623BS

220-240 V.
max 1x70W E27 (a) - max 1x52W E27 (b)



a



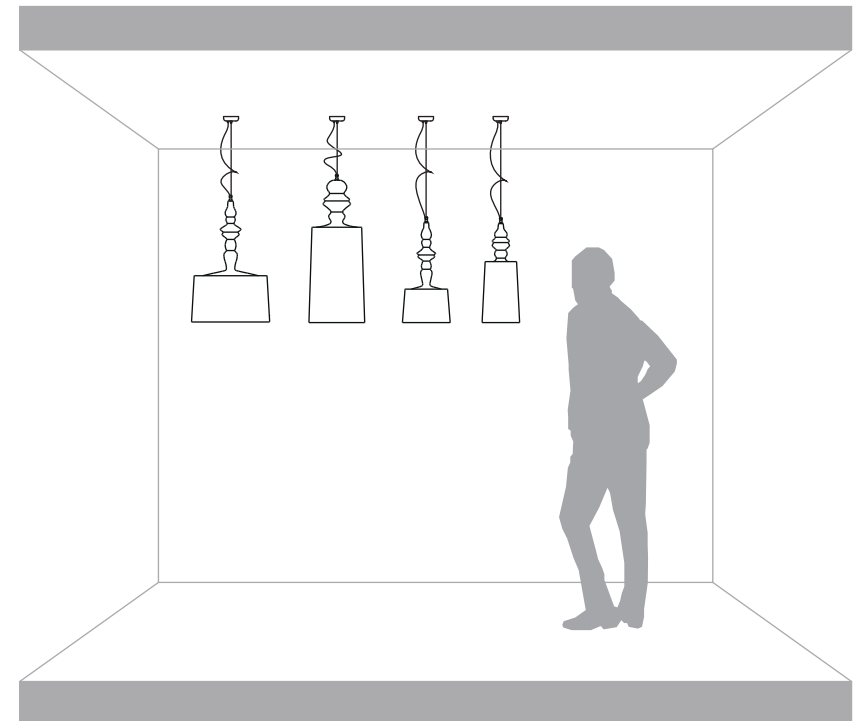
a



b

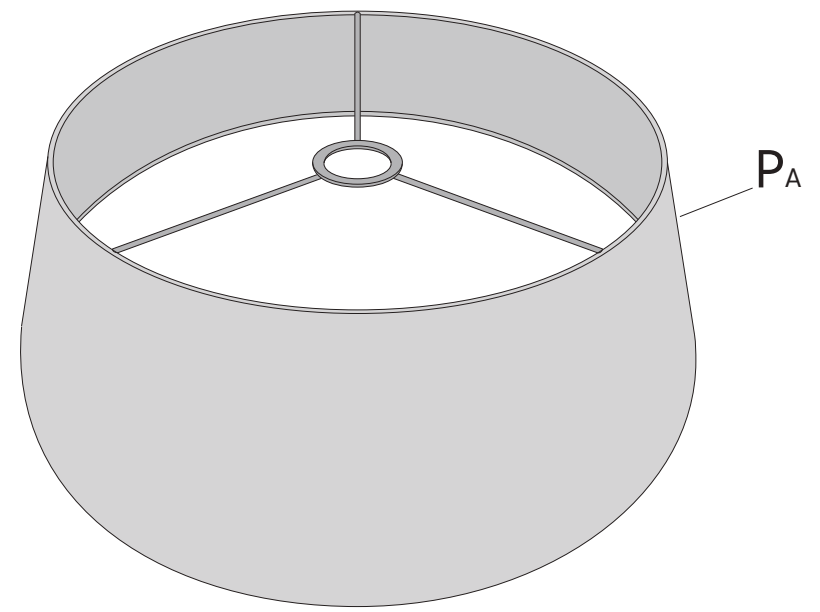
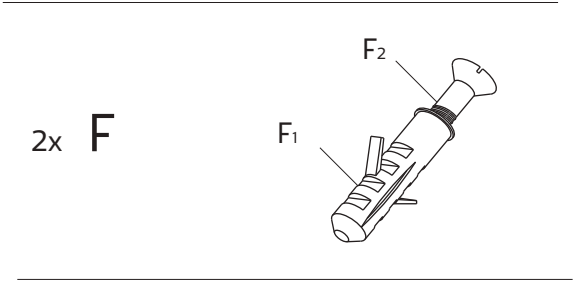
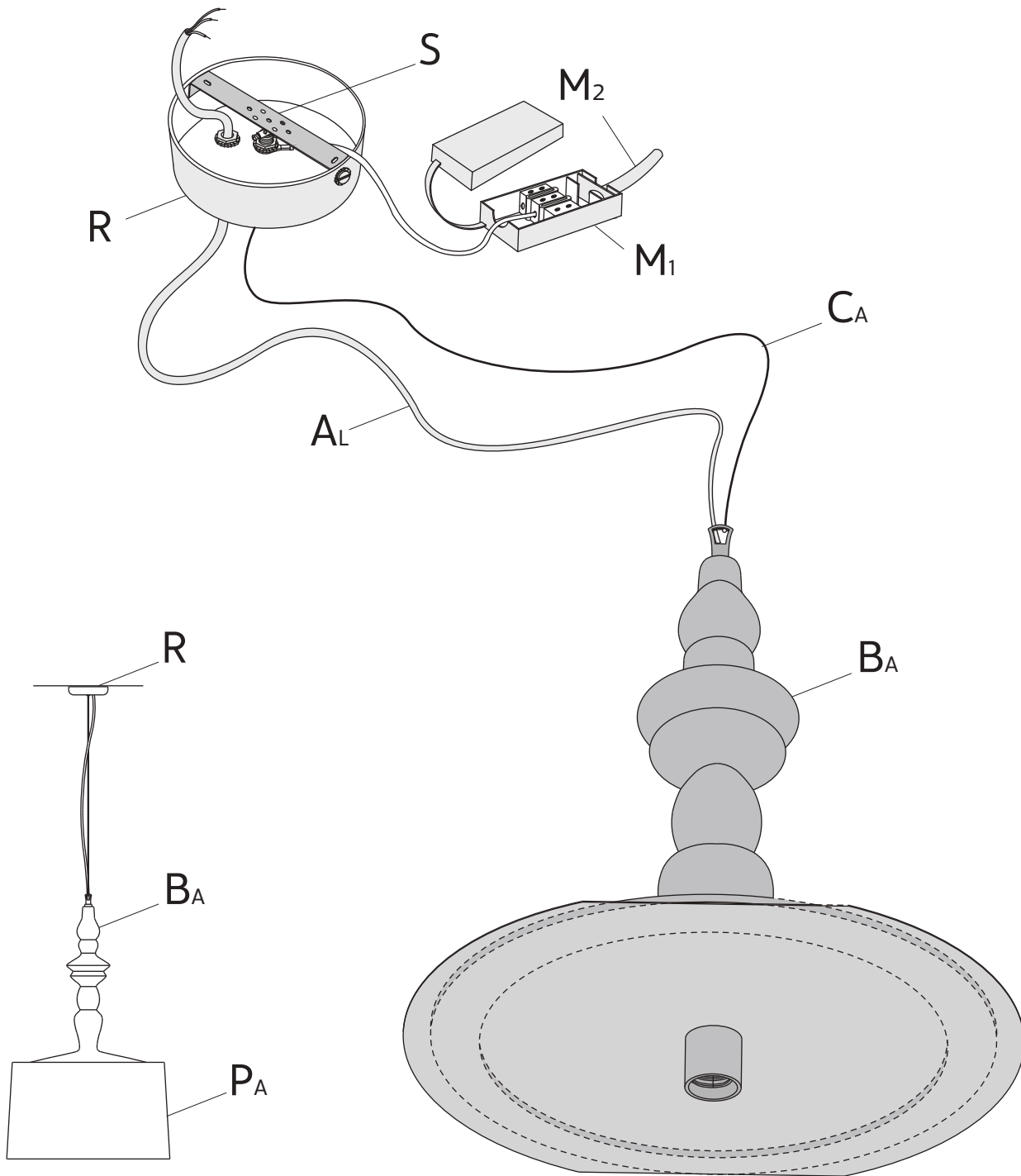


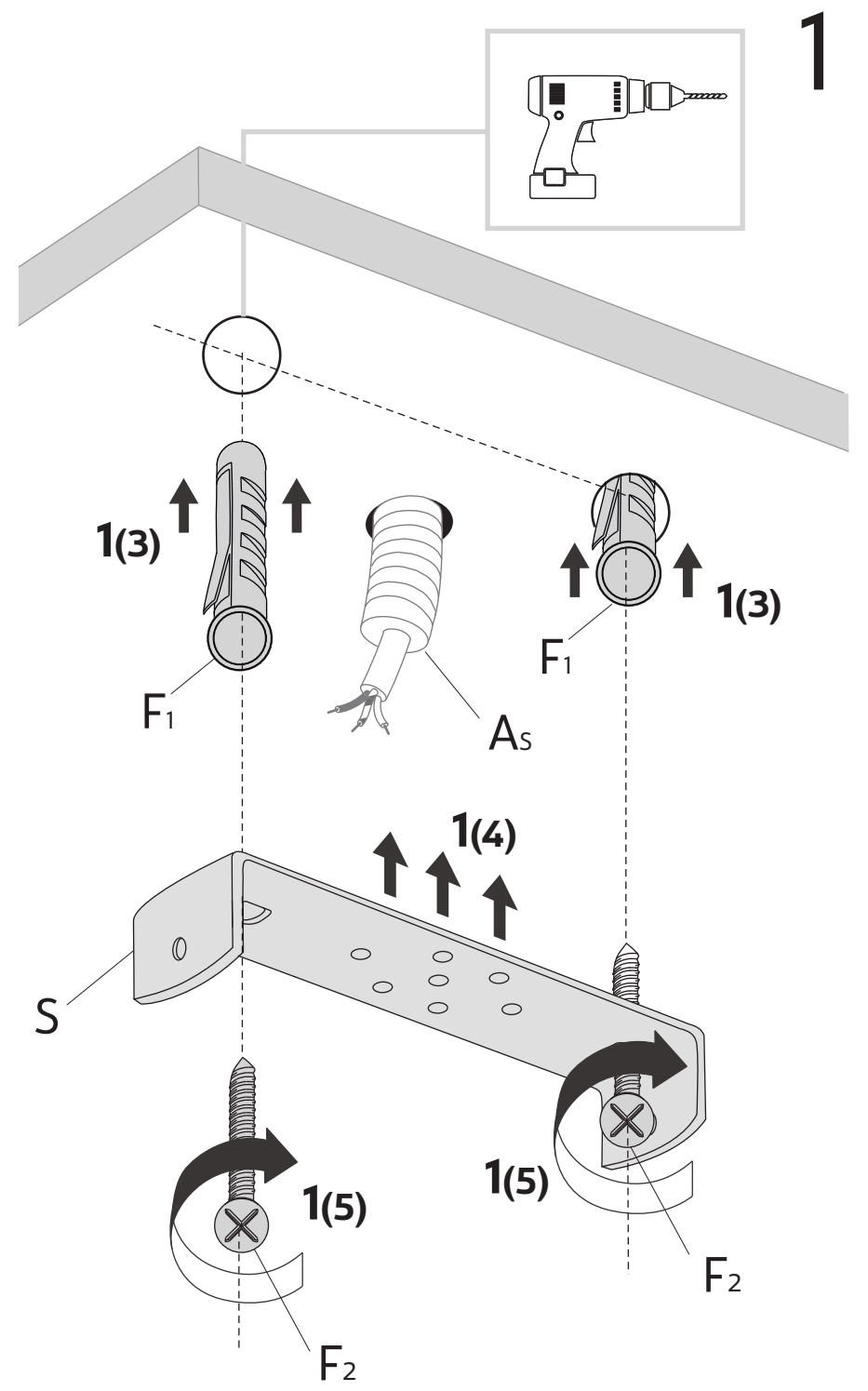
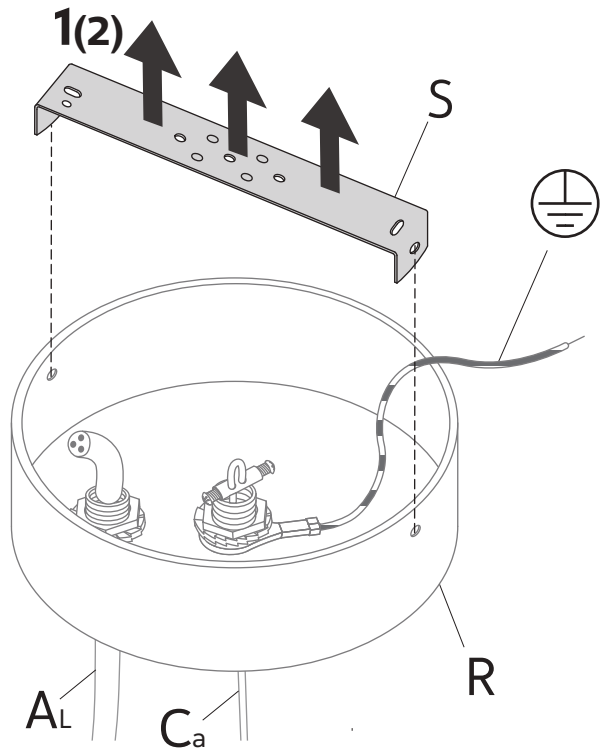
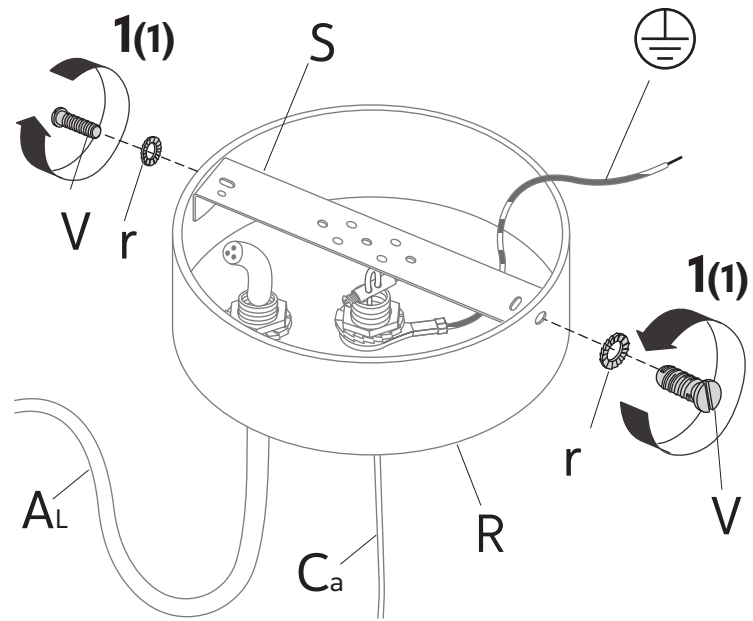
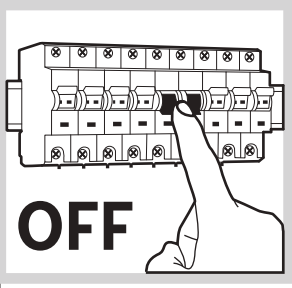
b

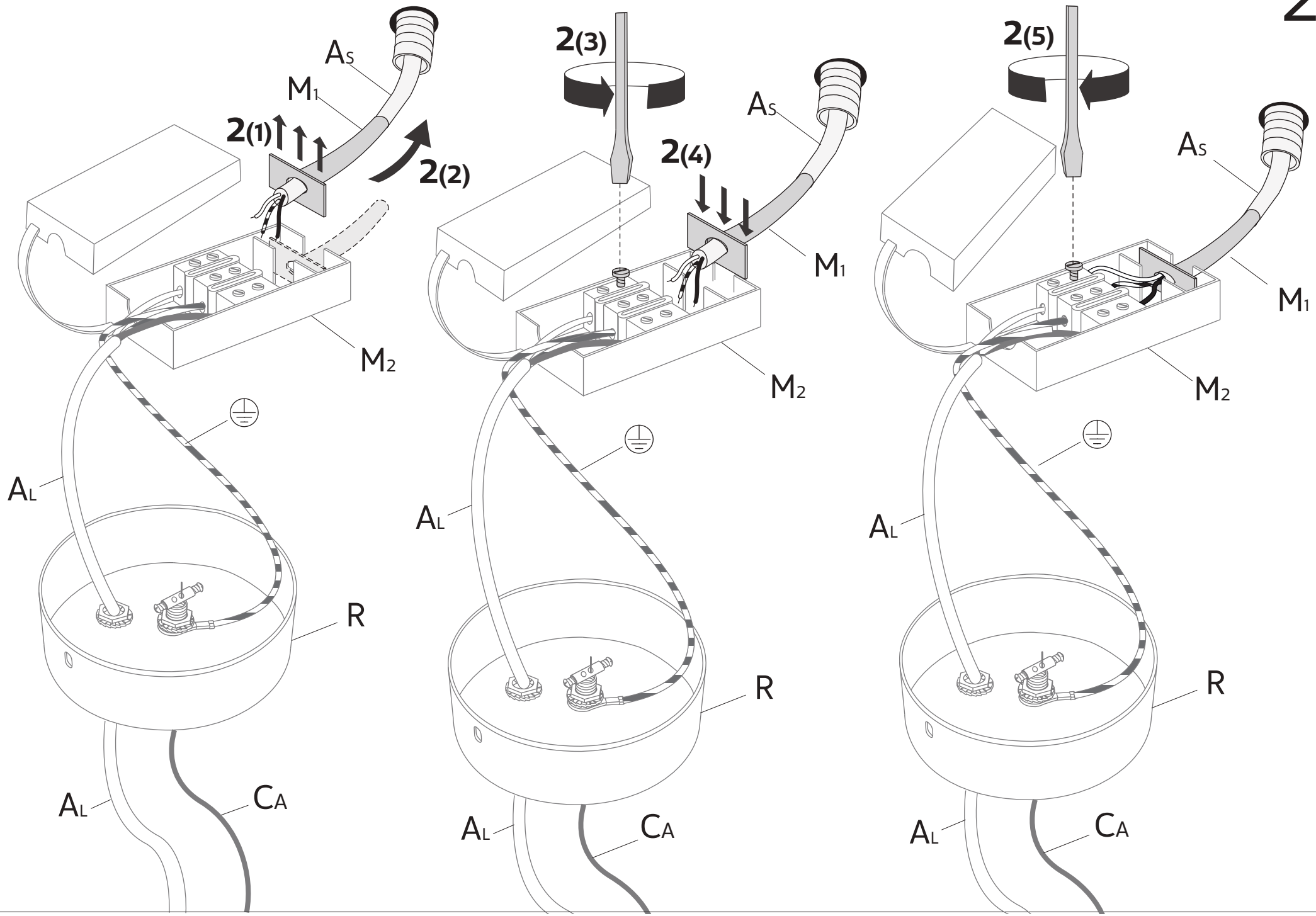


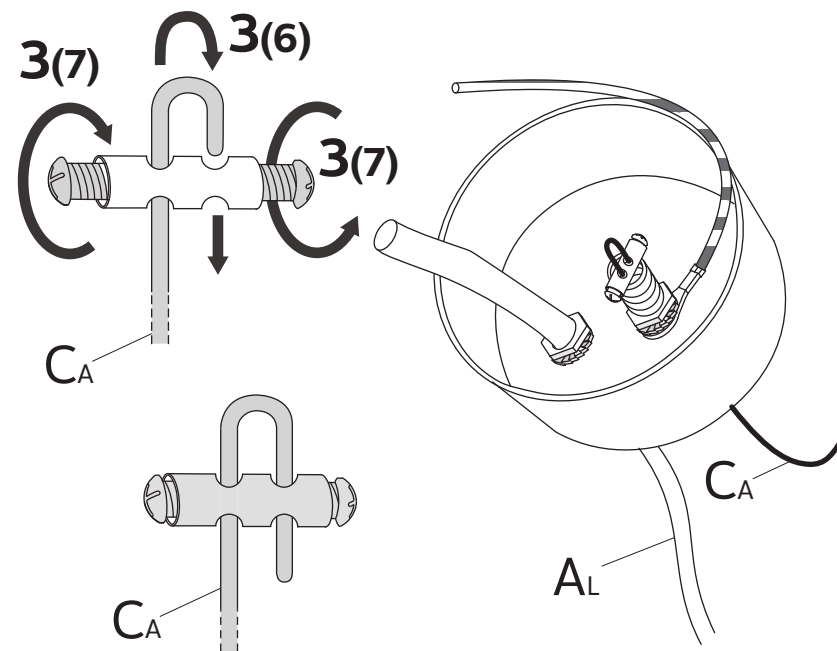
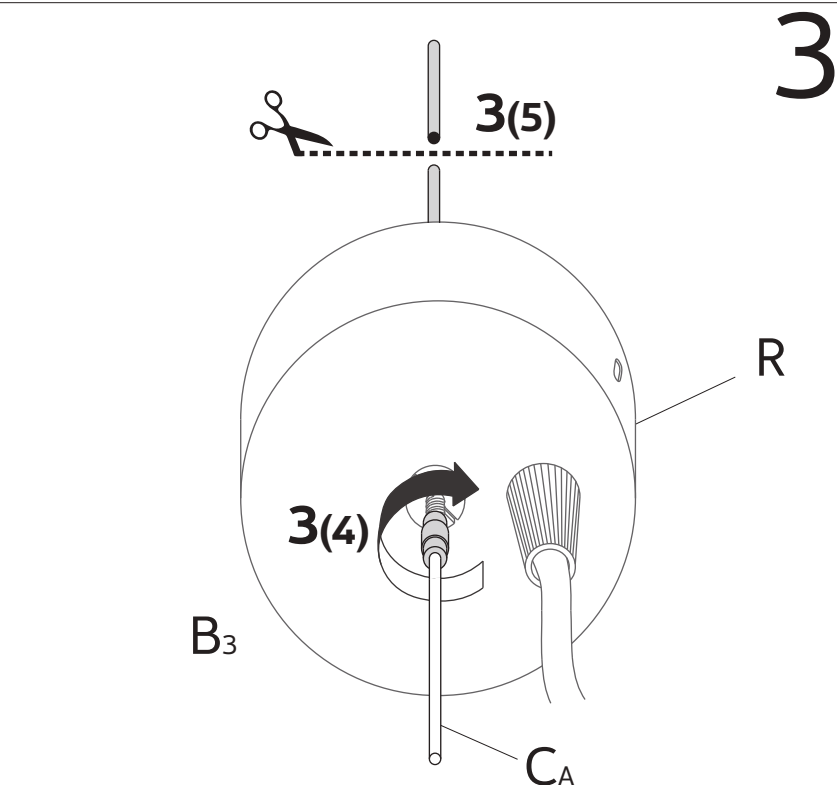
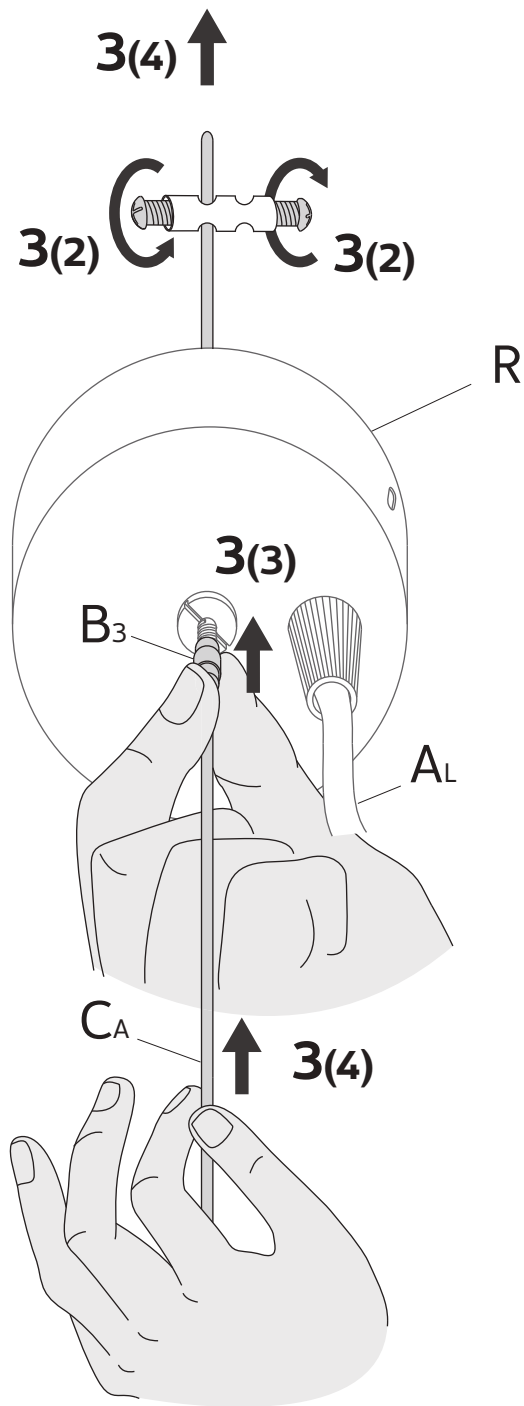
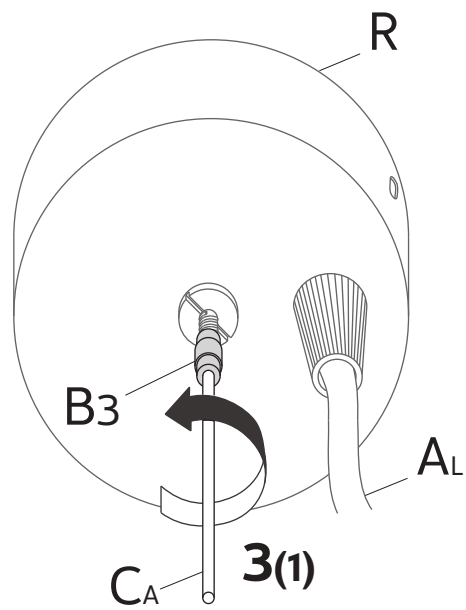
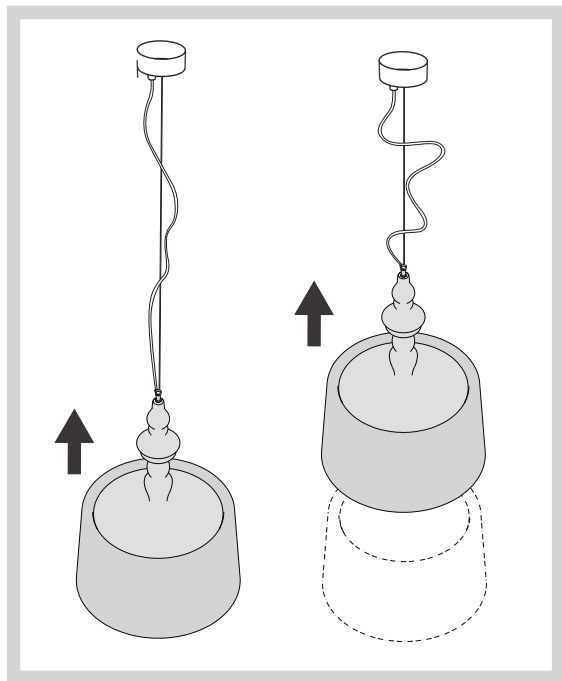
Karman srl

Via A. Grandi, San Martino del piano, 61034 Fossombrone (PU), Italy - p.iva 02175640412 tel +39 0721 71 5042 r.a fax +39 0721 716640 - www.karmanitalia.it

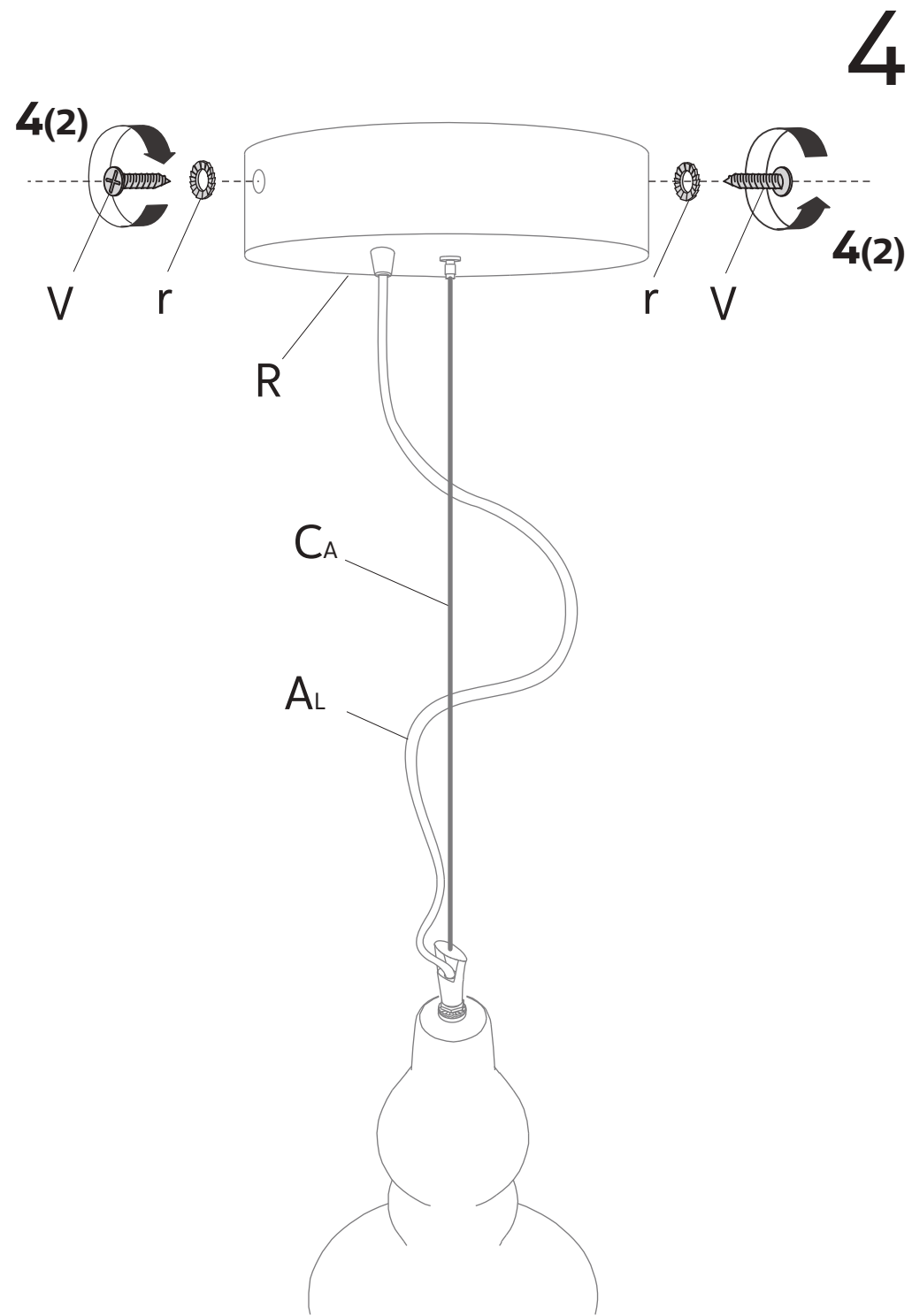
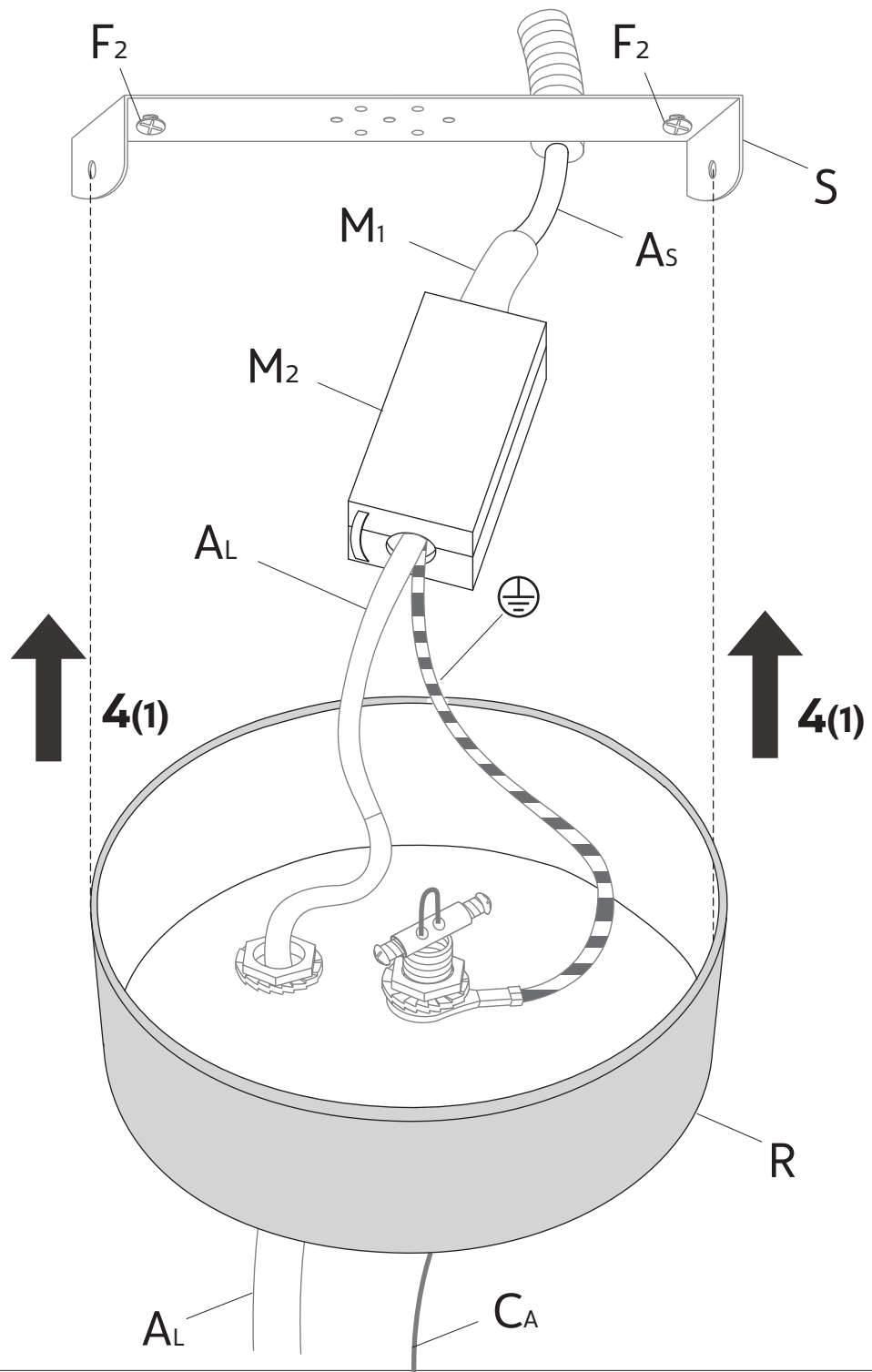


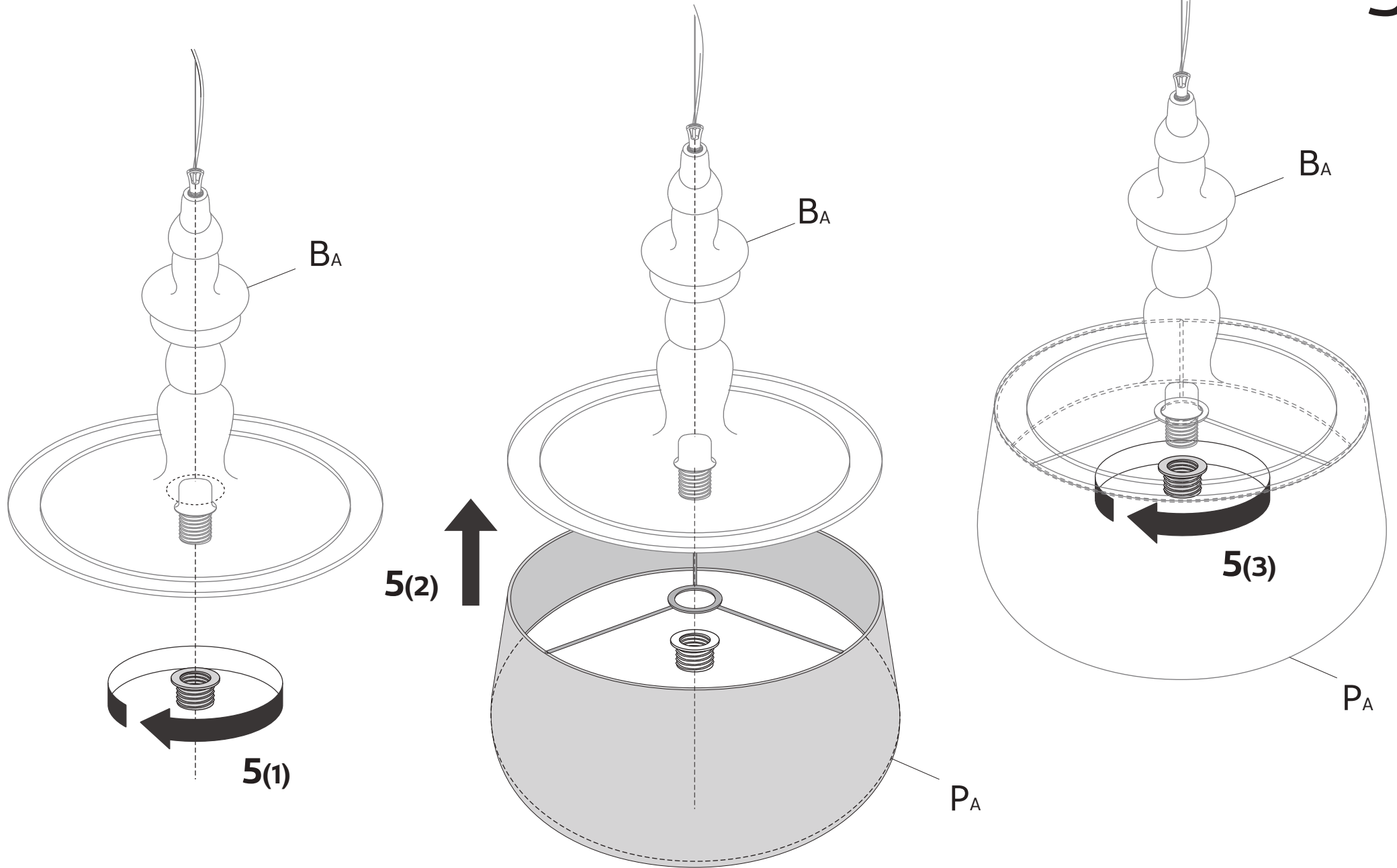


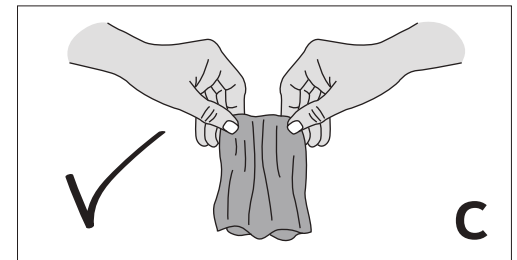
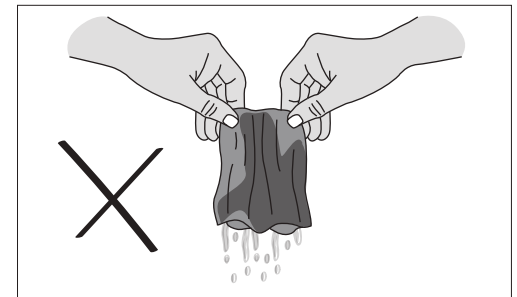
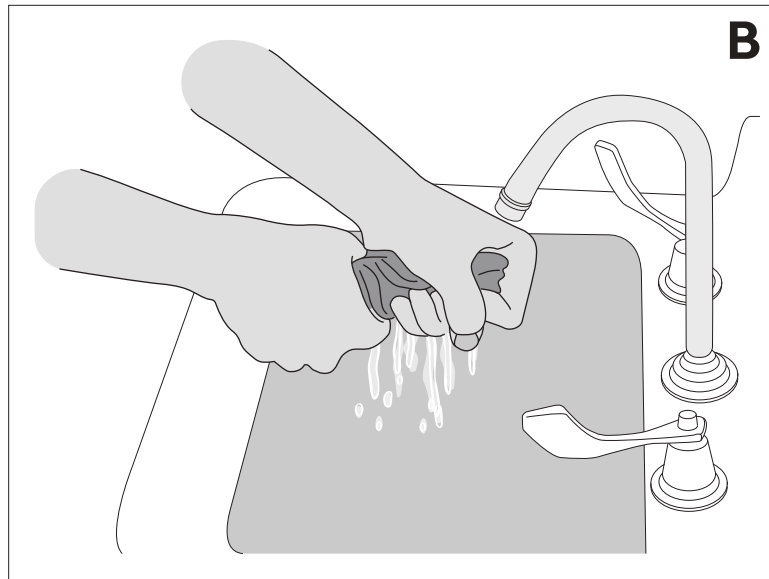




3







chemical agents



chemical agents



alcohol

