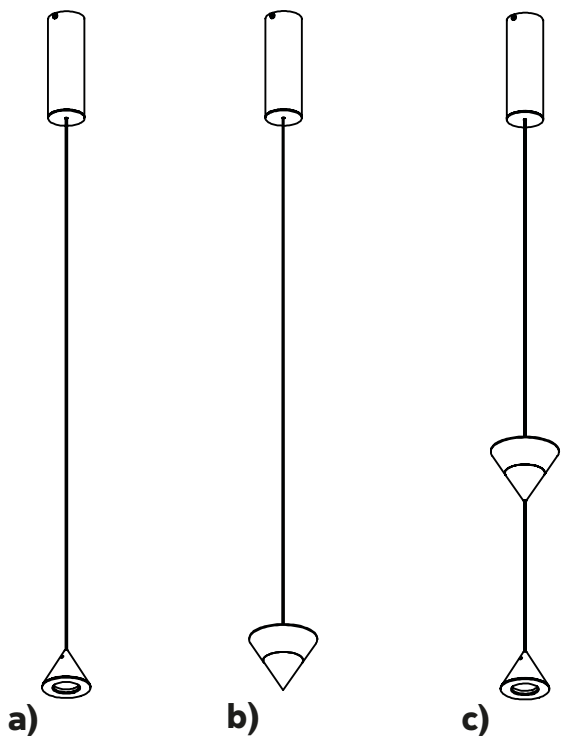
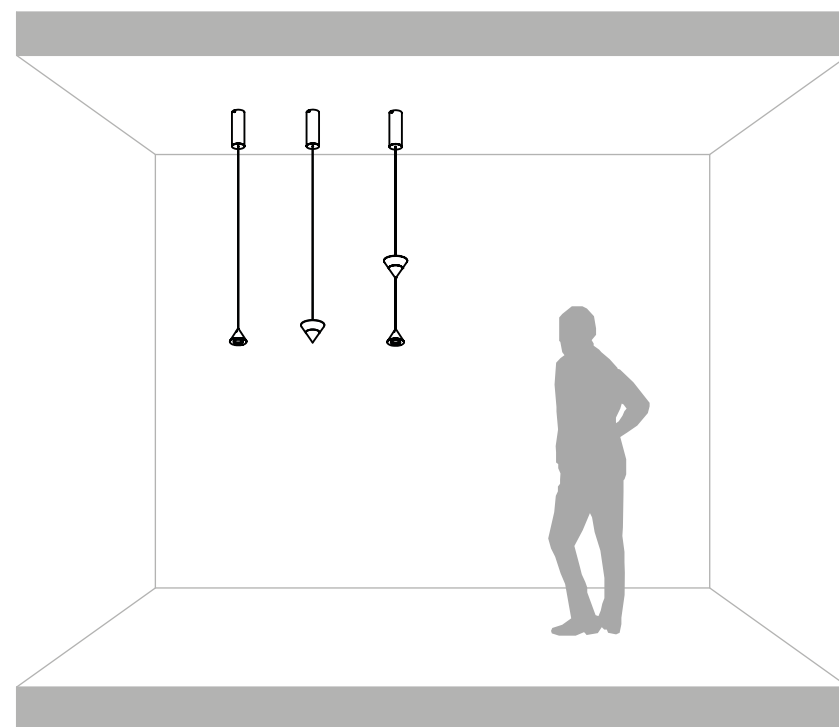


# Filomena



- |                 |              |
|-----------------|--------------|
| a) SE270 1N INT | SE270 2N INT |
| b) SE270 3N INT | SE270 4N INT |
| c) SE270 5N INT | SE270 6N INT |



**220-240 V.**

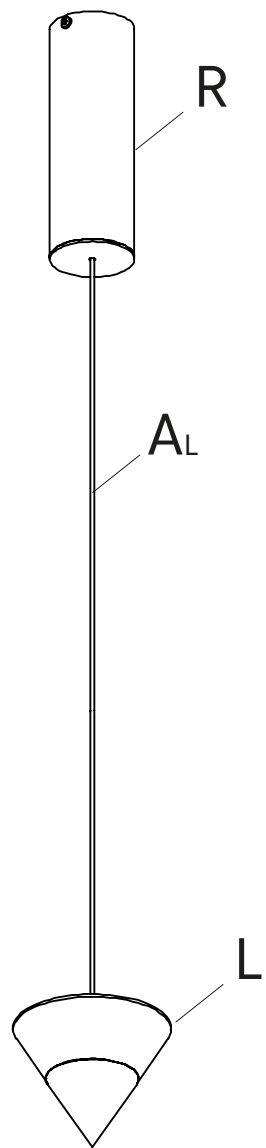
**a) LED 24V 16,8W**

**b) LED 24V 16,8W**

**c) LED 24V 16,8W**

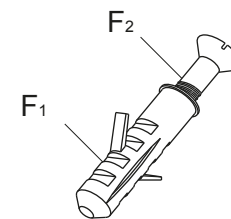






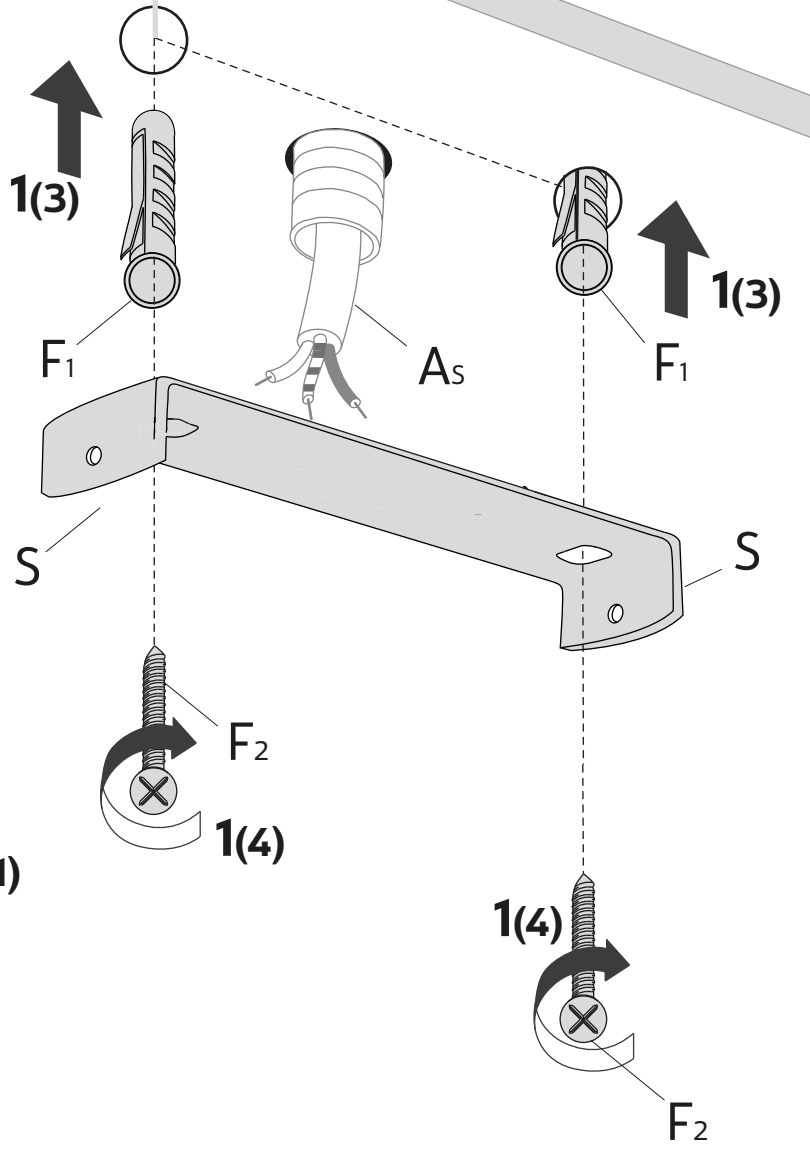
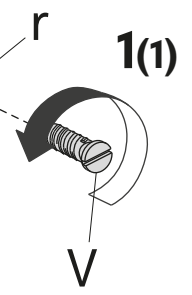
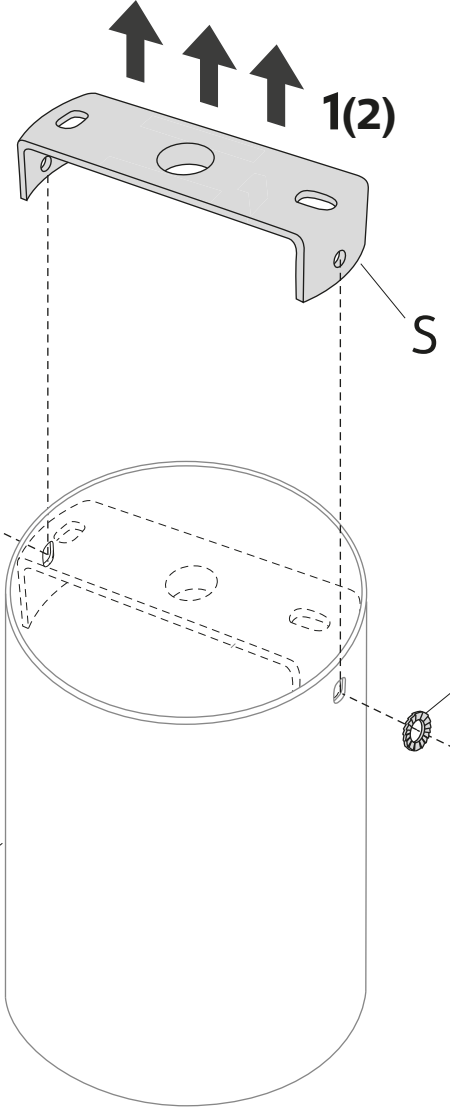
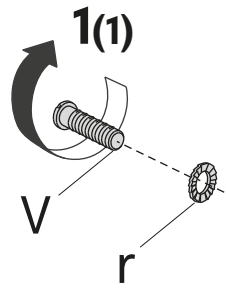
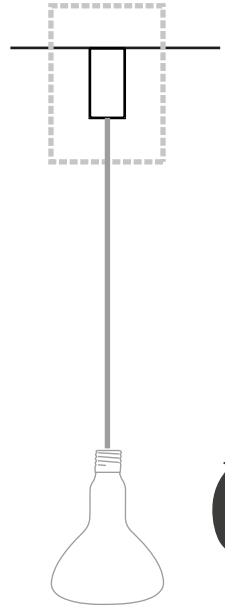
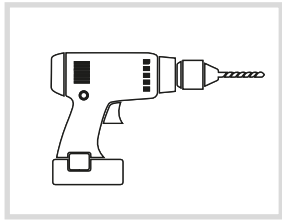
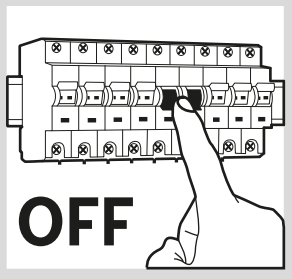
---

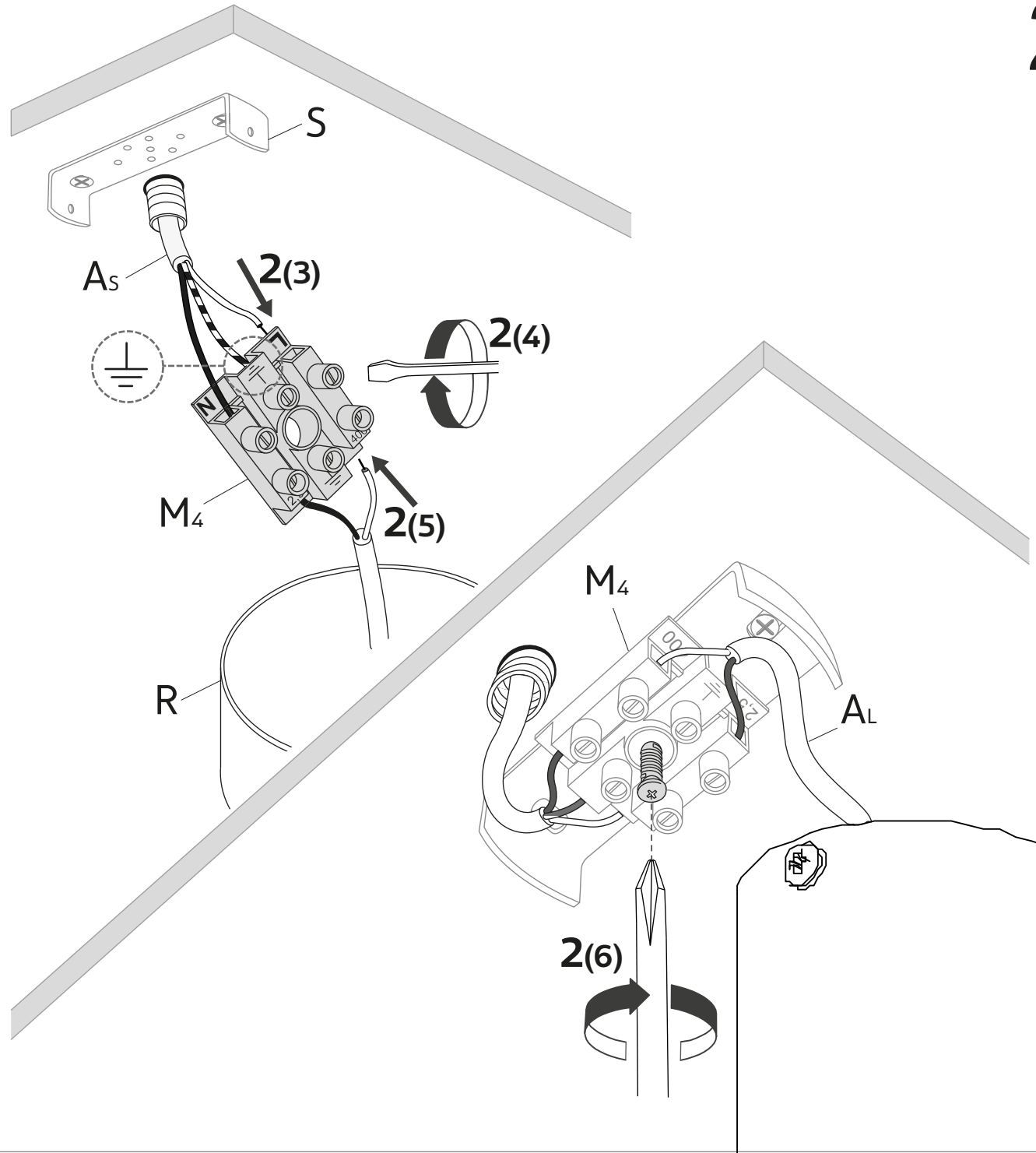
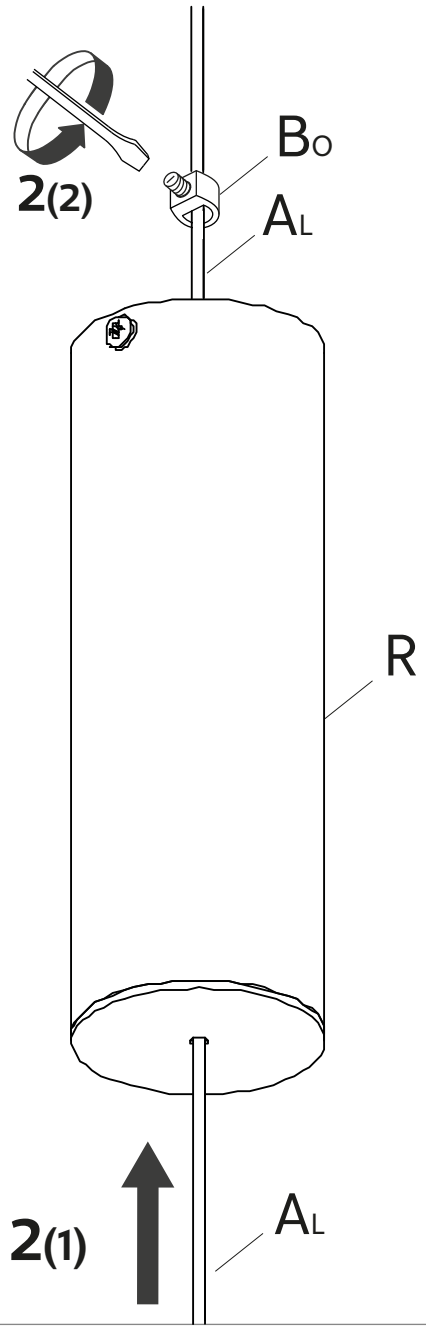
2x **F**

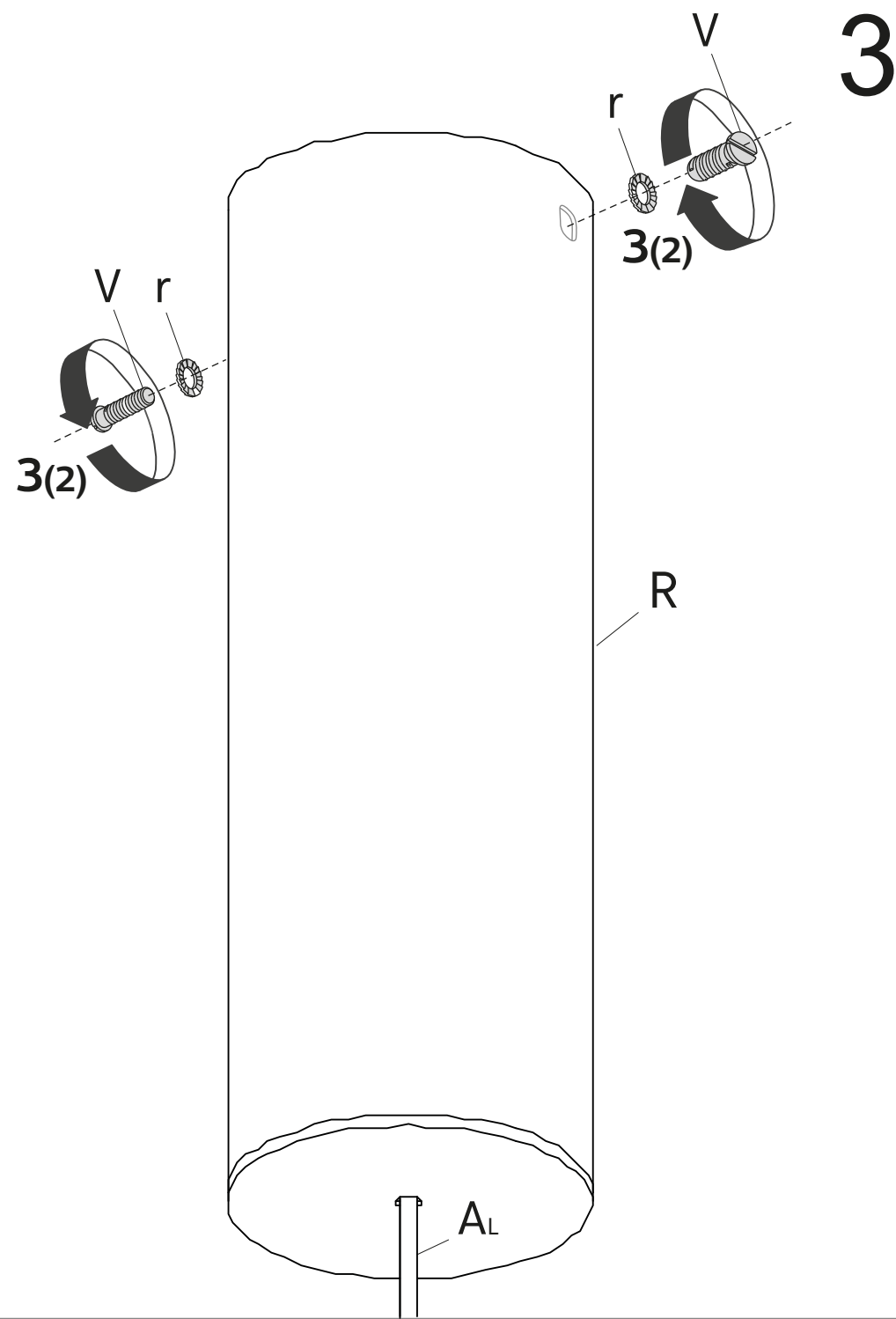
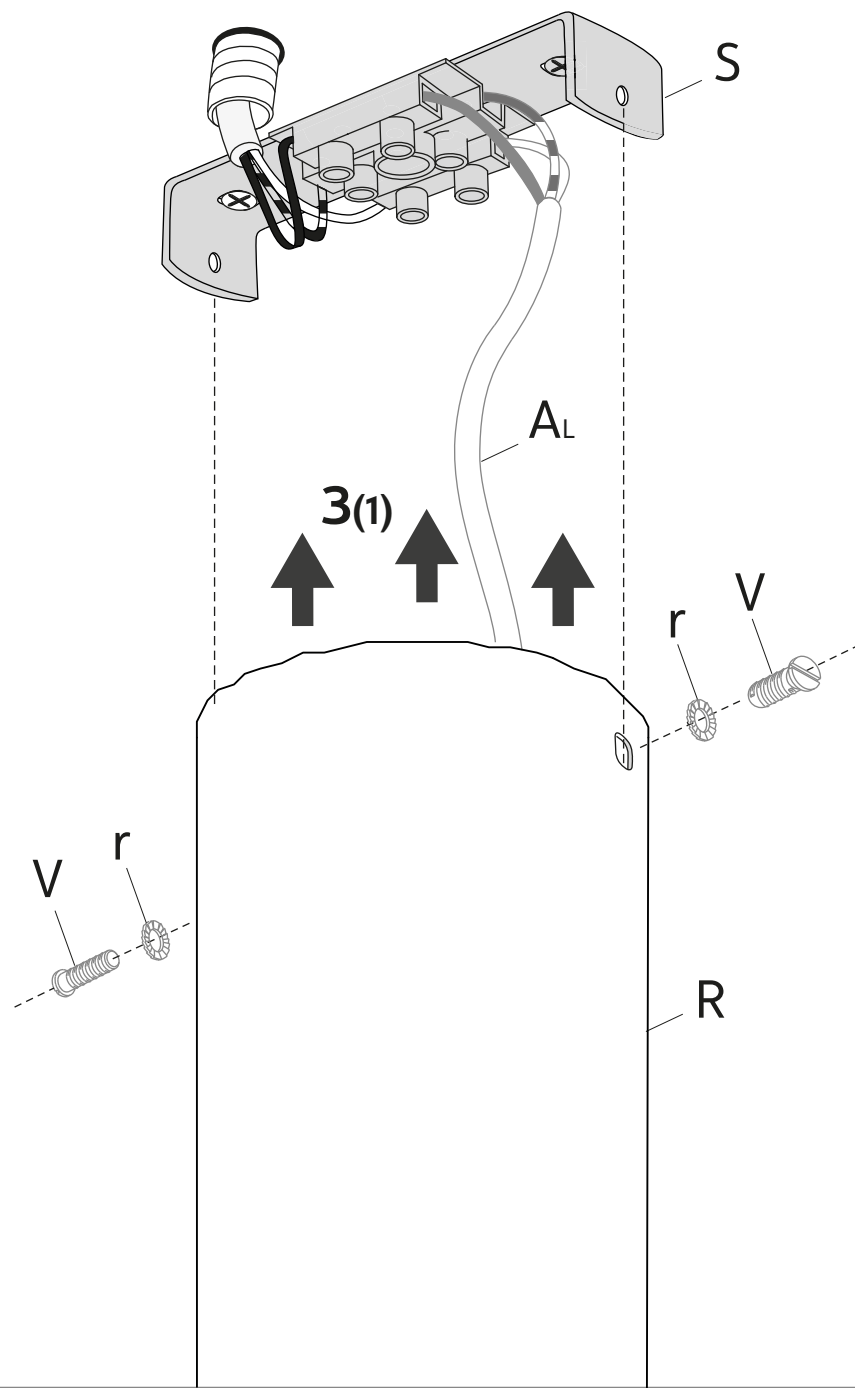


2x **B<sub>o</sub>**









**3**

