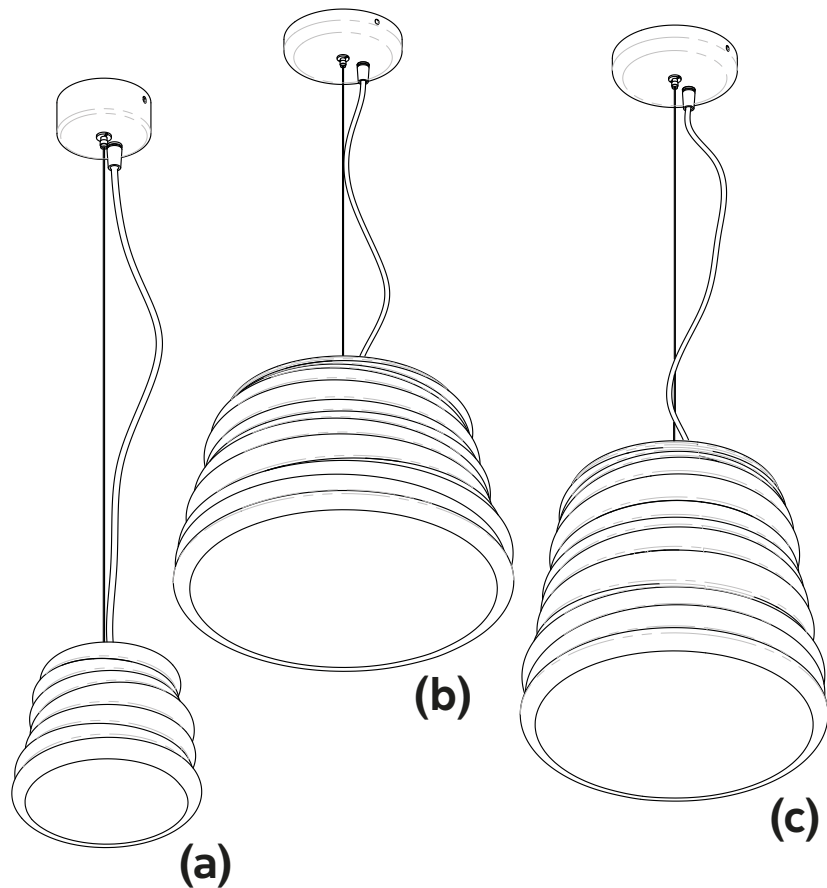


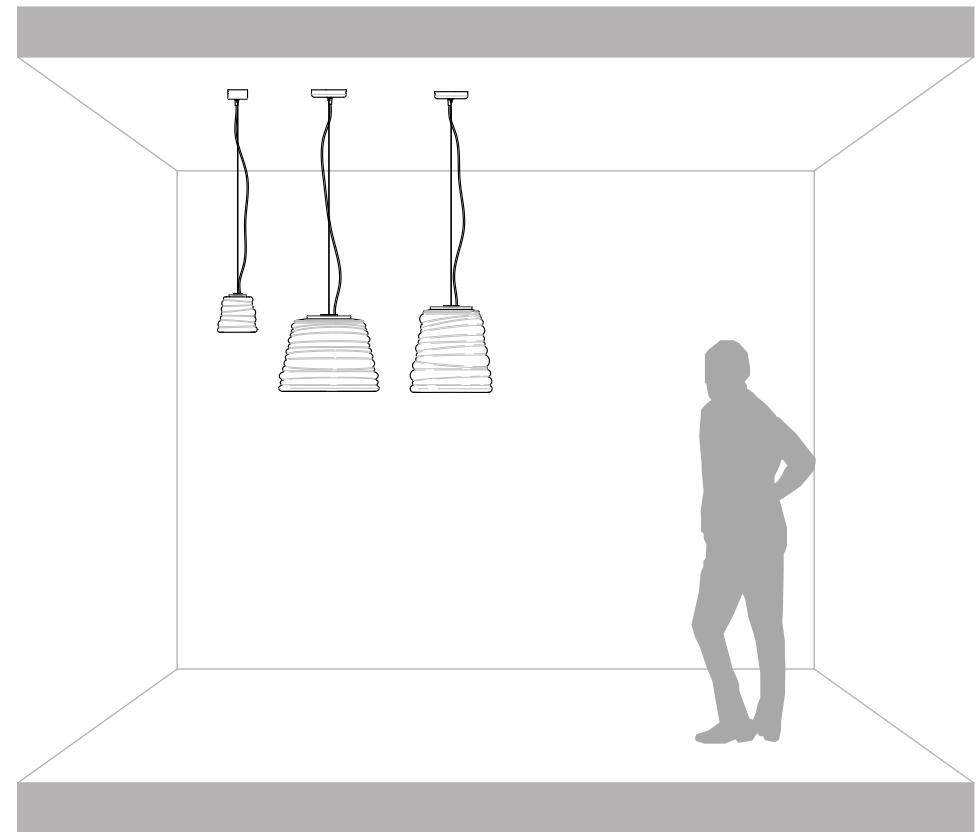
Bibendum



(a) SE198 DT
SE198 DD

(b) SE198 ET
SE198 ED

(c) SE198 FT
SE198 FD



Karman srl

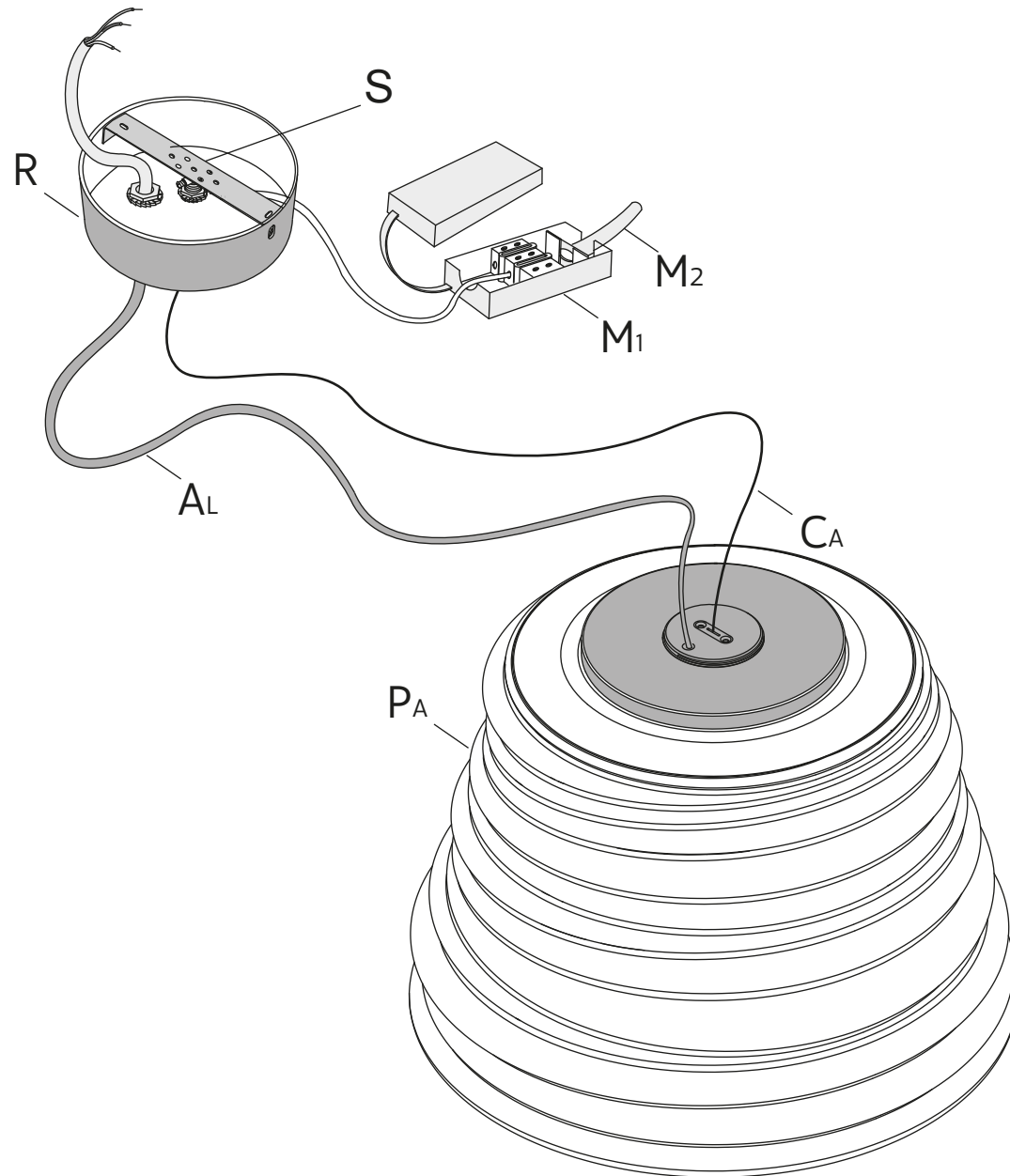
Via A. Grandi, San Martino del piano, 61034 Fossombrone (PU), Italy
p.iva 02175640412 tel +39 0721 71 5042 r.a fax +39 0721 716640 - www.karmanitalia.it

KARMAN

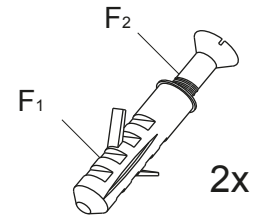
220-240 V.
1 x E14 max 42W (a)
1 x E27 max 105W (b/c)

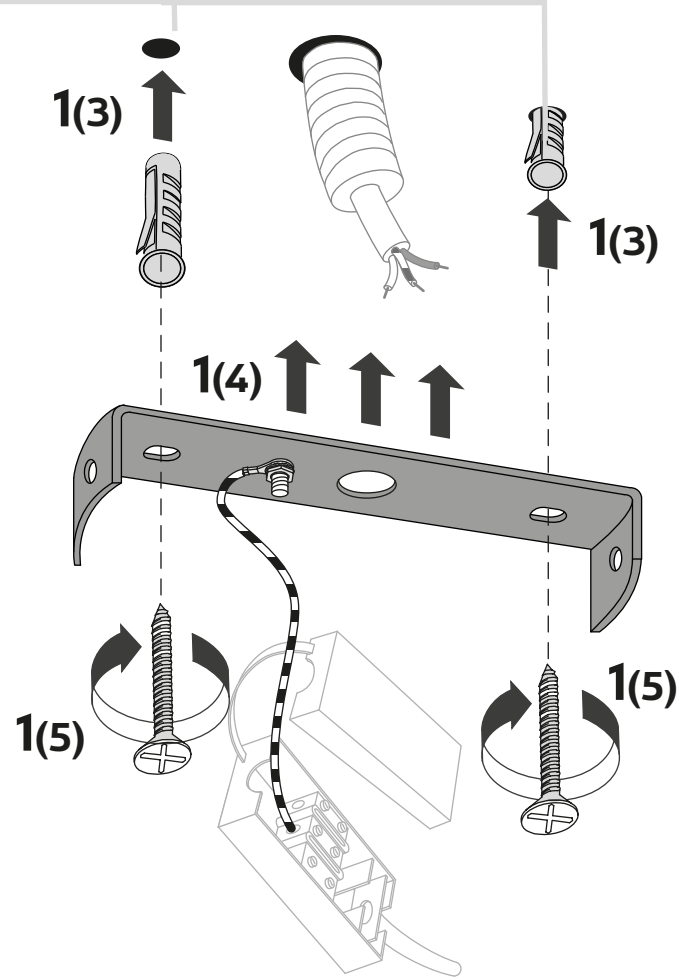
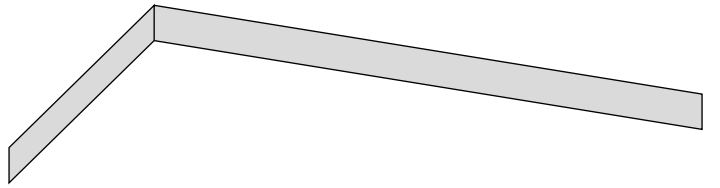
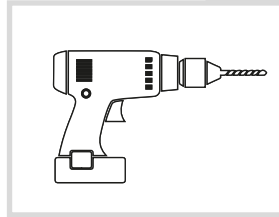
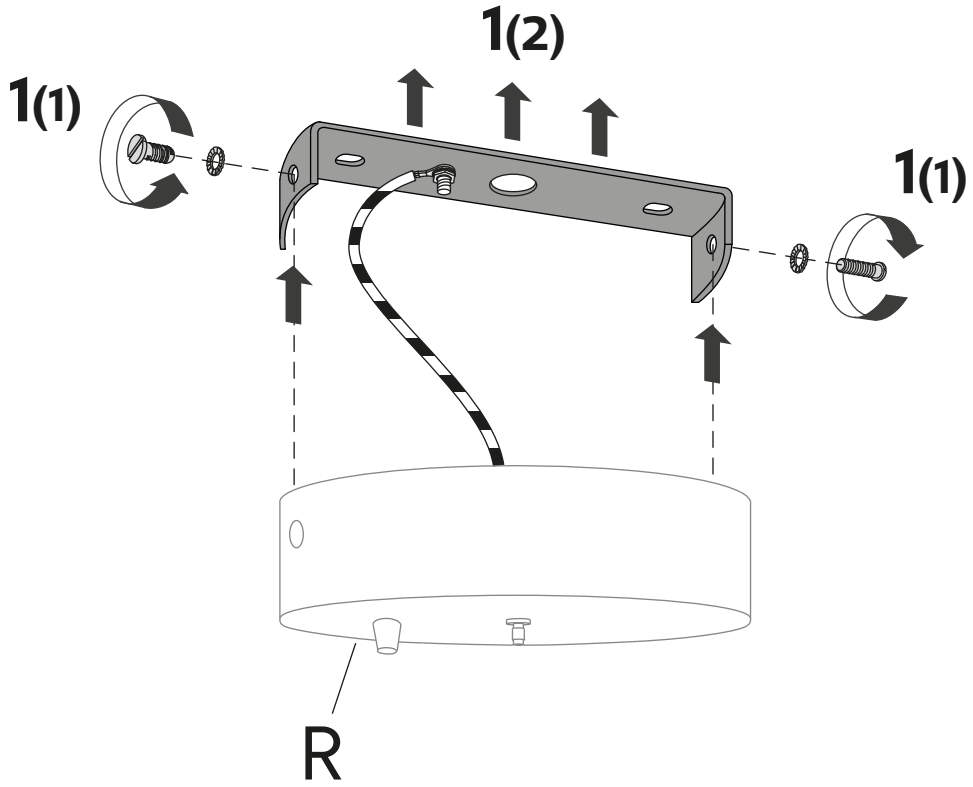
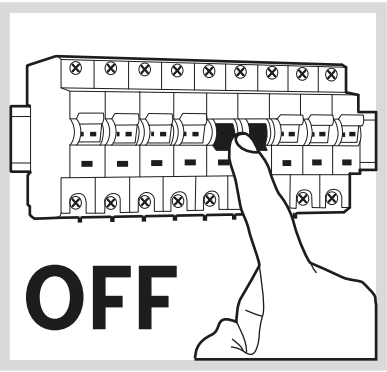


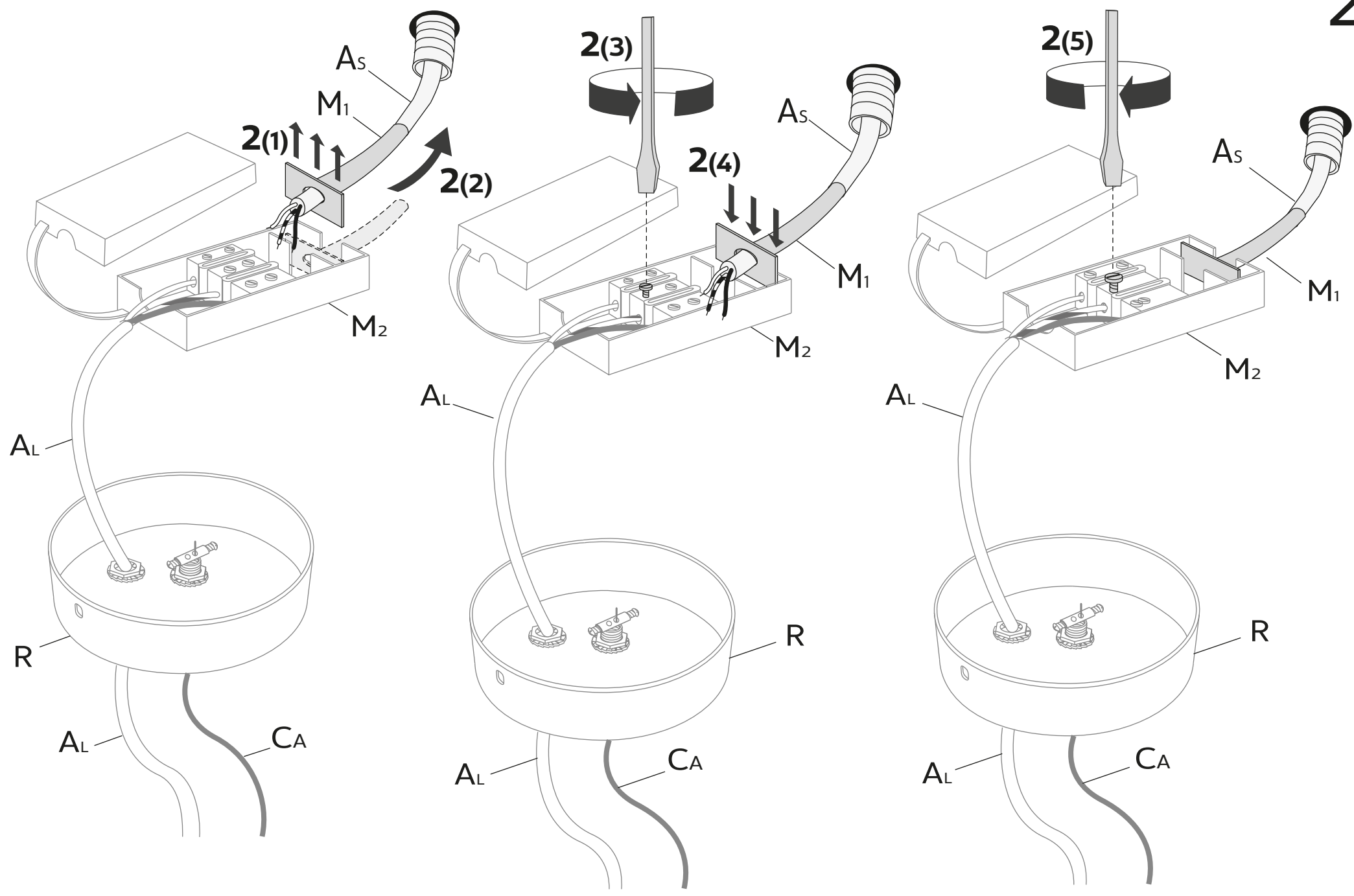
C - 01

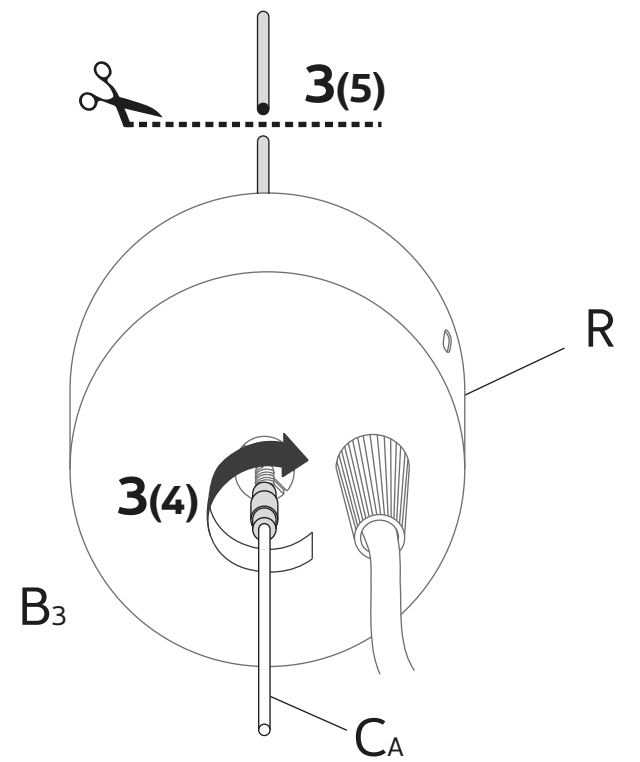
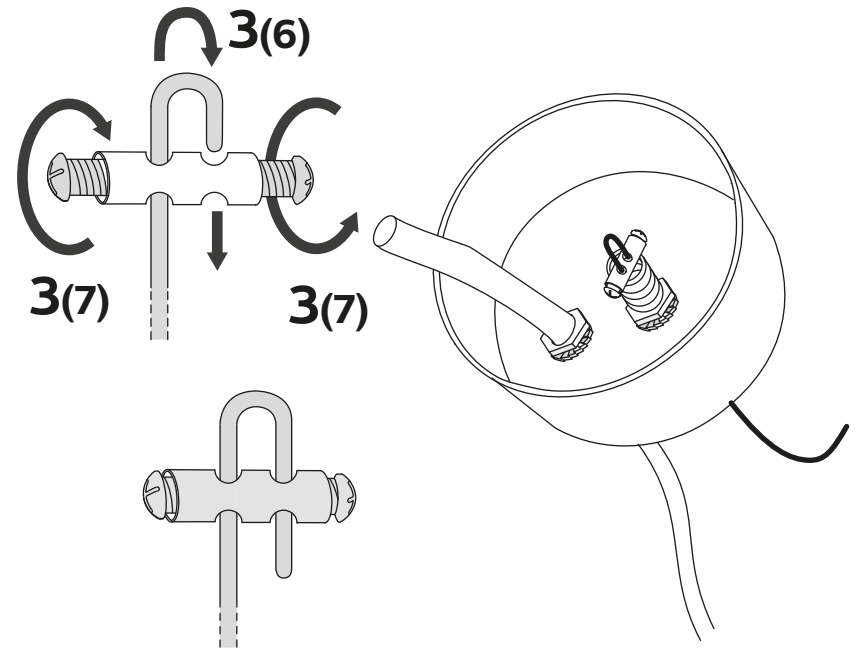
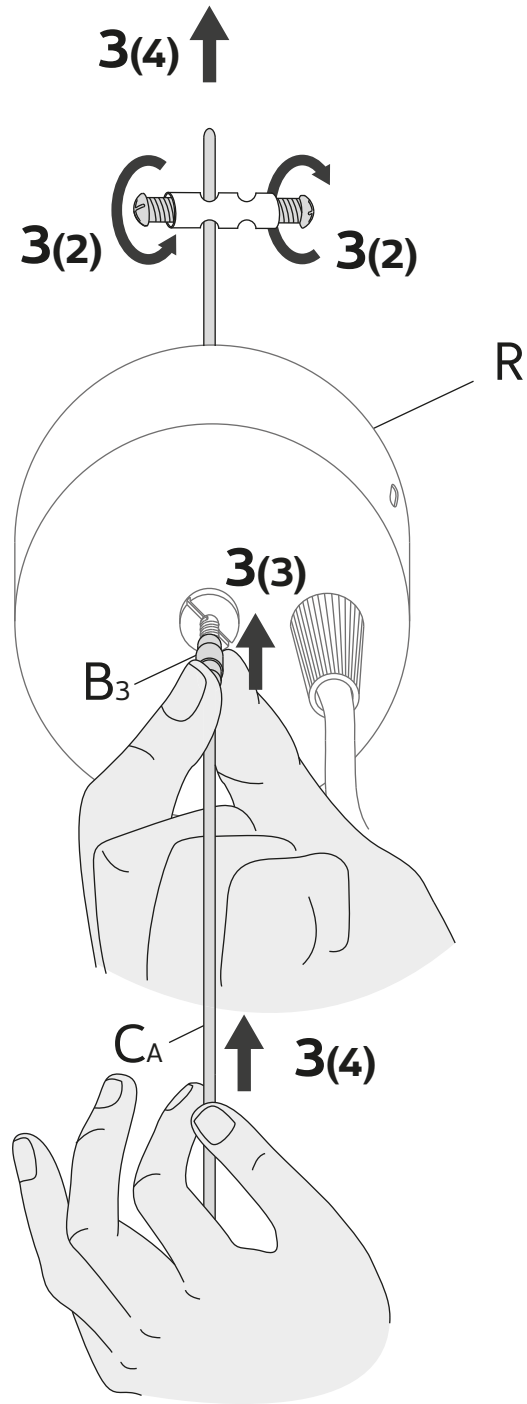
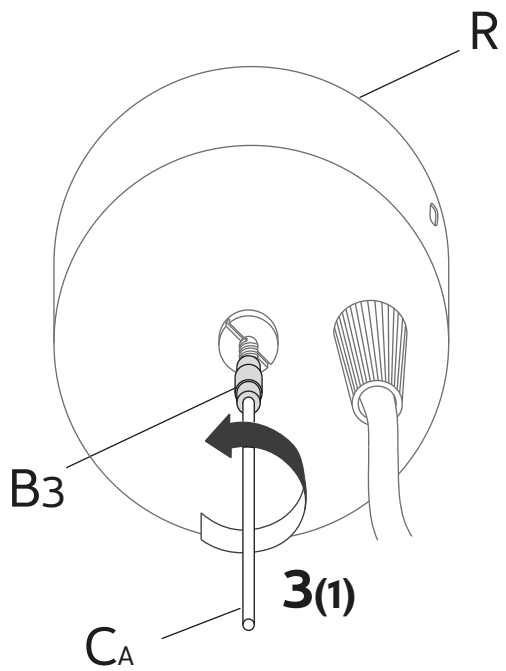
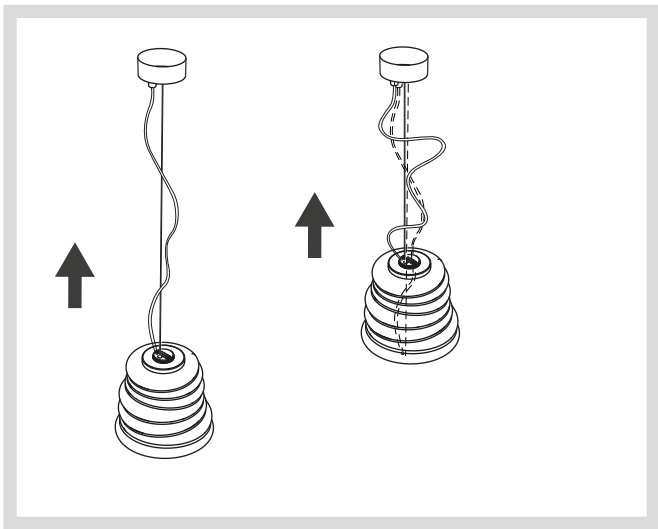


F

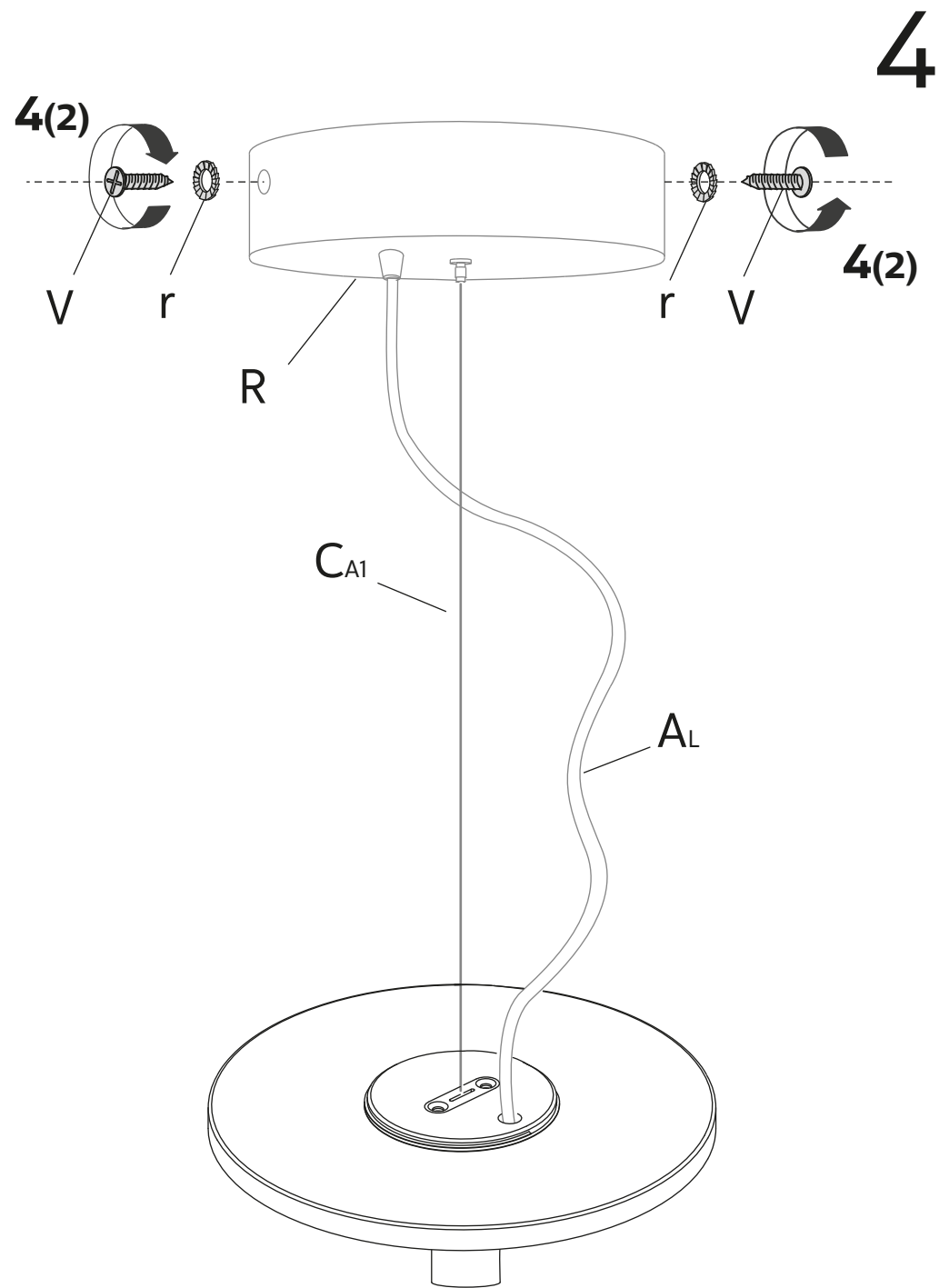
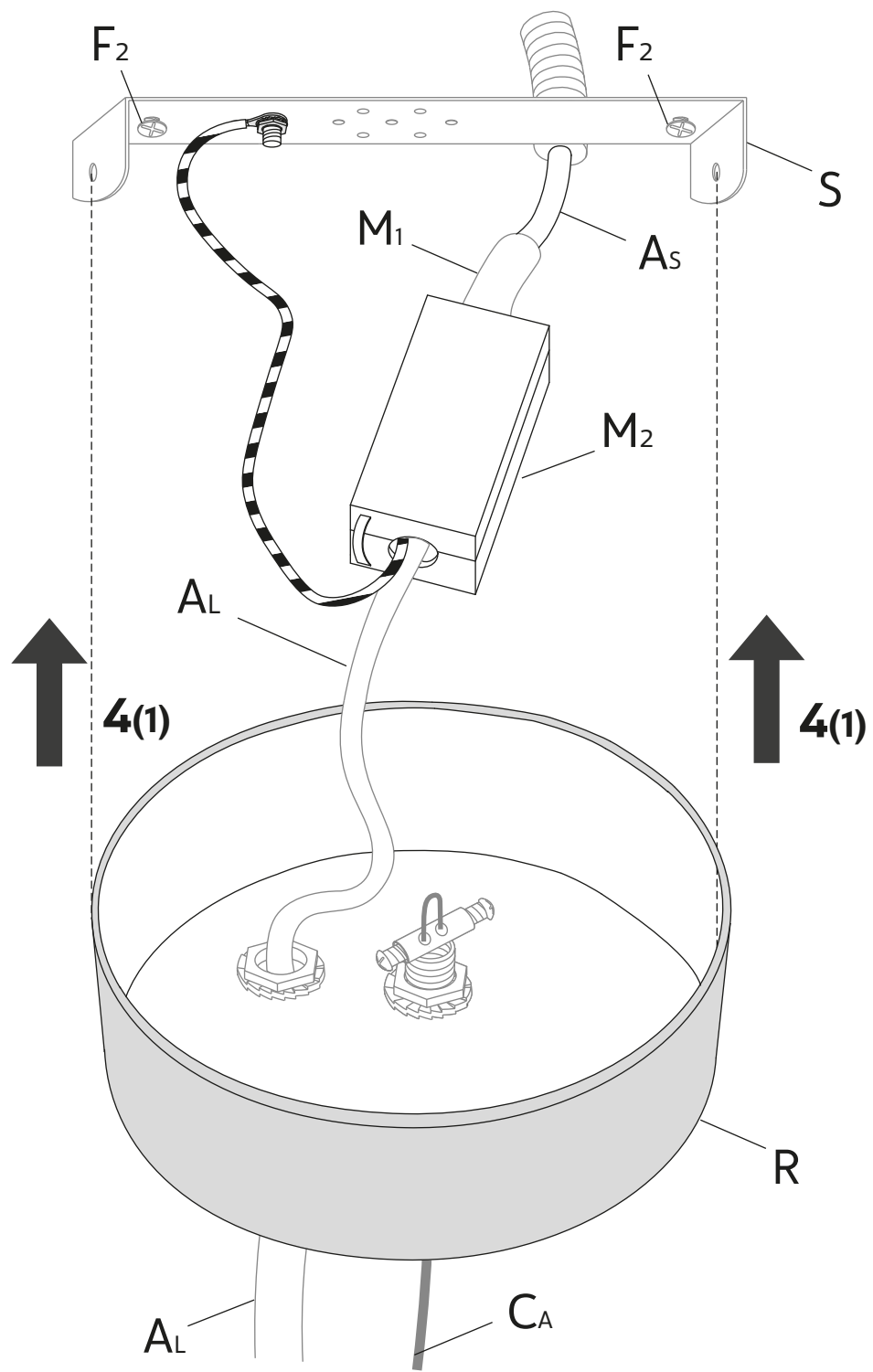


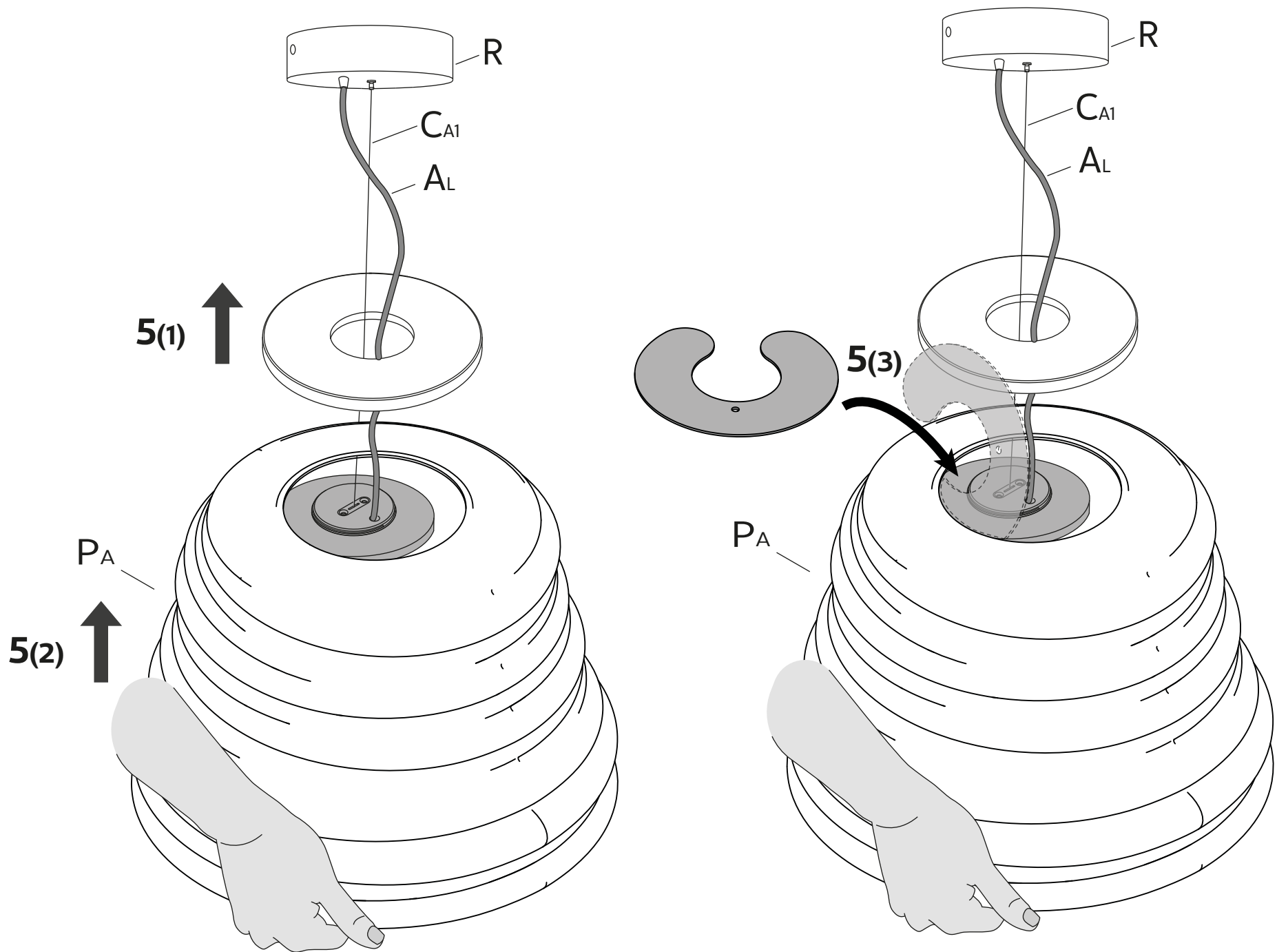


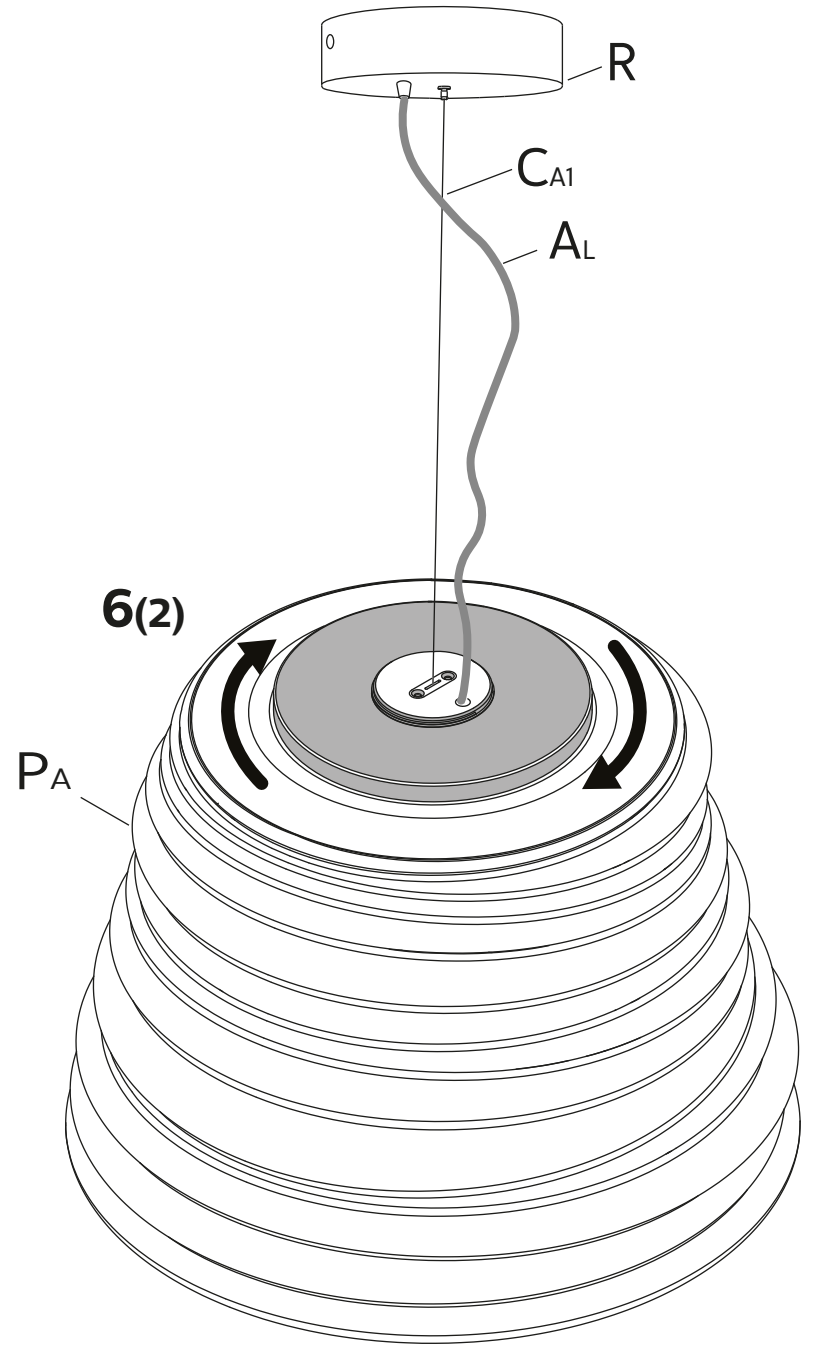
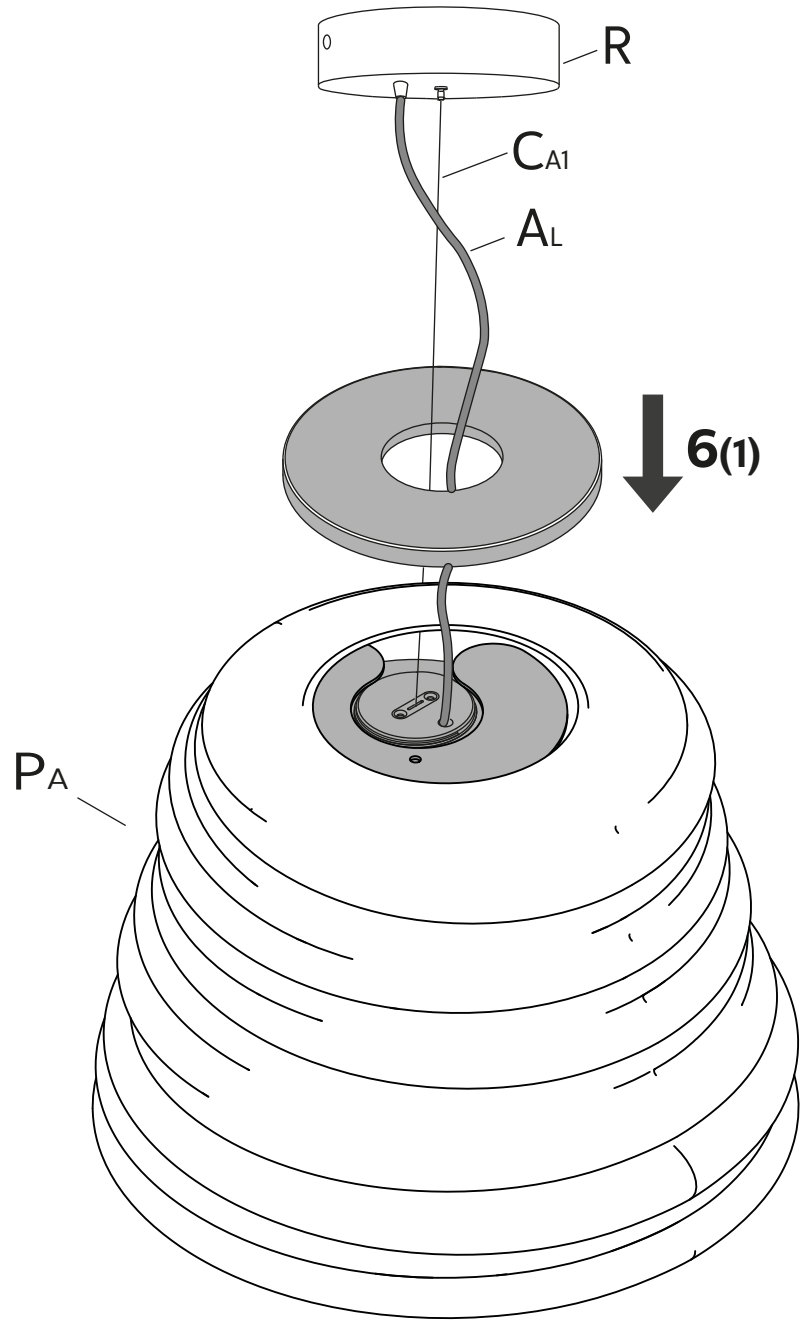


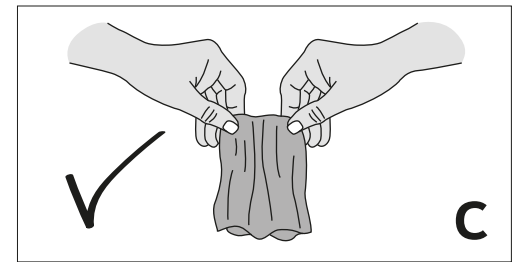
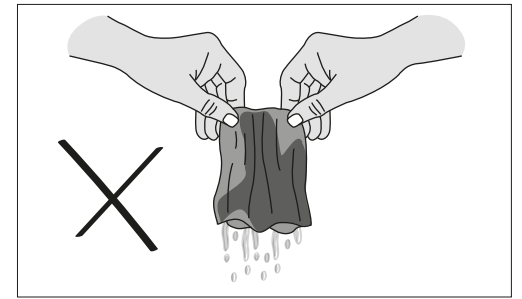
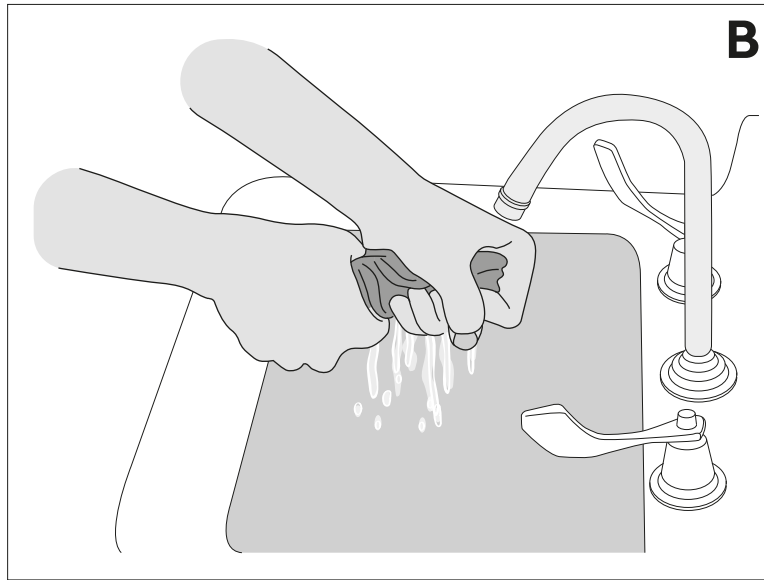


3









chemical agents



chemical agents



alcohol

