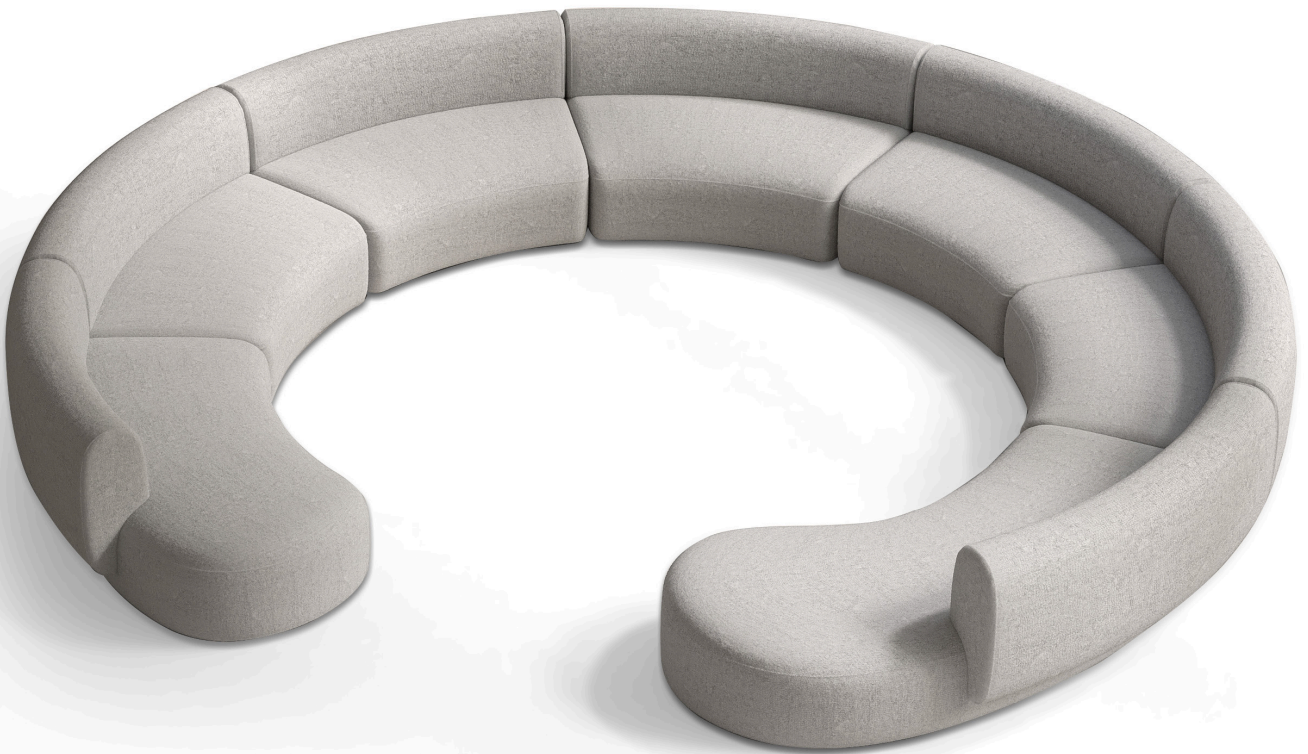


HUG CURVED MODULAR SOFA

“HUG” SOFA IS DEFINED BY CLEAN, SIMPLE LINES AND A DISTINCTIVE ARMREST DETAIL. THE ARMREST, HALF OVERLAPPING THE SEAT CUSHION, CREATES AN INTERLOCKING DETAIL BETWEEN THE TWO ELEMENTS, WHILE THE PADDING, FIRM AND WELCOMING AT THE SAME TIME, COMMUNICATES COMFORT.



Elements



Small terminal element



Big terminal element



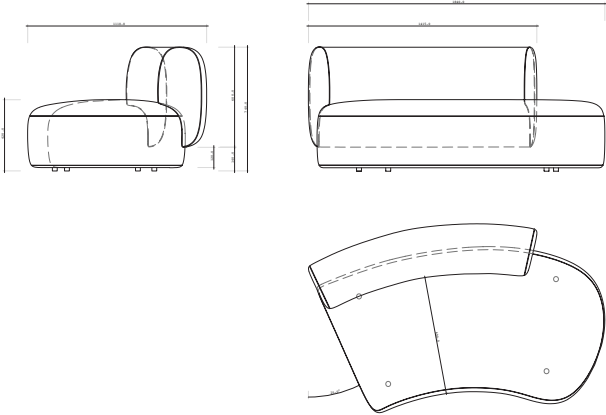
Big central curved element



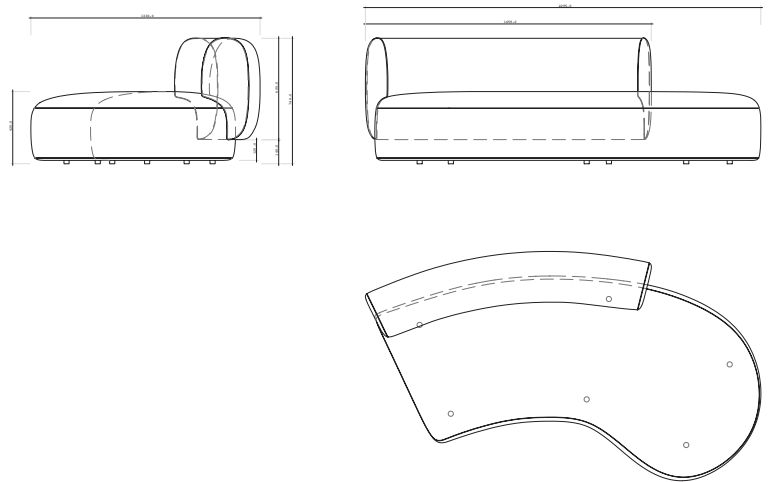
Small central curved element

HUG CURVED MODULAR SOFA

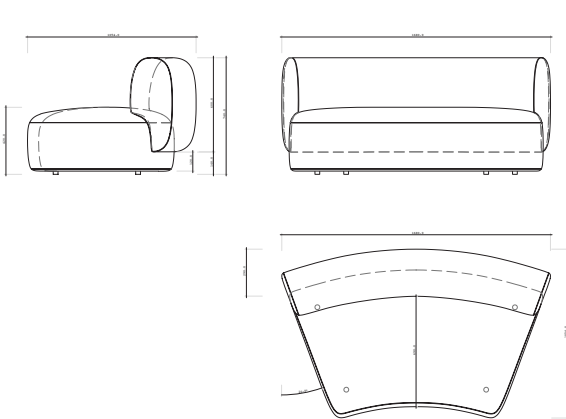
Small terminal element



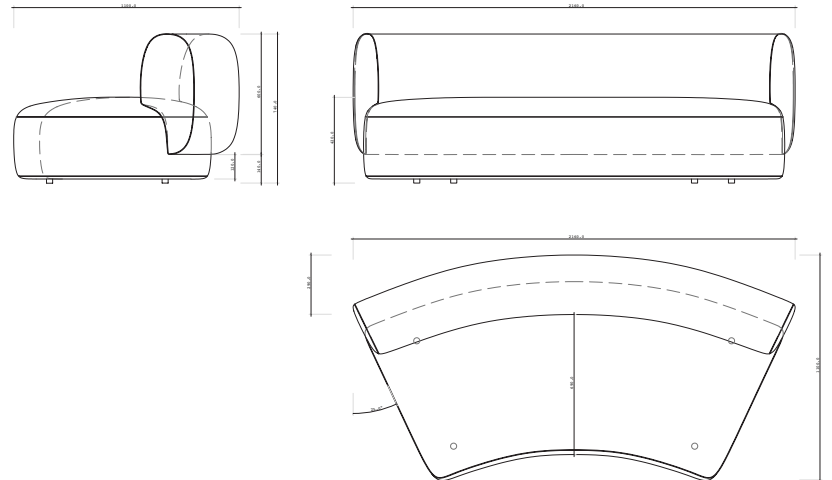
Big terminal element



Big central curved element



Small central curved element



- .Small central curved element** W168cm | 66" H 74cm | 29" D 105cm | 41"
- .Big central curved element** W216cm | 85" H 74cm | 29" D 110cm | 43"
- .Small terminal element** W184cm | 72" H 74cm | 29" D 111cm | 43"
- .Big terminal element** W230cm | 90" H 74cm | 29" D 133cm | 52"

PRODUCT FEATURES

Structure in Solid Oak wood. Upholstered in Famiglia 05 fabric.

PRODUCT OPTIONS

UPHOLSTERY:

Exterior structure upholstered in boucle snow fabric.

Interior backrest and seat cushions in fabric.