

NANDO wall lamp

Dario De Meo and Luca De Bona design

year 2020

TECHNICAL SHEET - AP109 3B V11

STRUCTURE "A"

material metal
colour white



ELECTRICAL CABLE

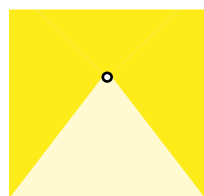
source LED 170mA
5,5W, 600 lumen
3000/2700K CRI \geq 85
classe A+

PACKAGING

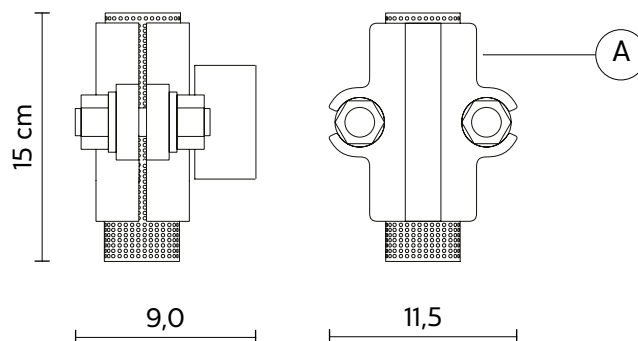
nr.of collis 1
net weight/kg 1,2
gross weight/kg 1,5
packaging/cm 21x21x20

EMISSION OF LIGHT

one directional



■ direct
■ filtered
■ indirect
■ none



COMPLIANT WITH

IEC 60598-1:2014

DRY LOCATION

LED power supply equipped
equipped



COLLECTION

available also as: suspension



AP1093G V11



AP10950 V11