

AMARCORD wall lamp

Matteo Ugolini design

year 2016

DATA SHEET - AP121 1B INT

BASE "A"

material
colour concrete
white



DIFFUSER "B"

material
colour glass
transparent

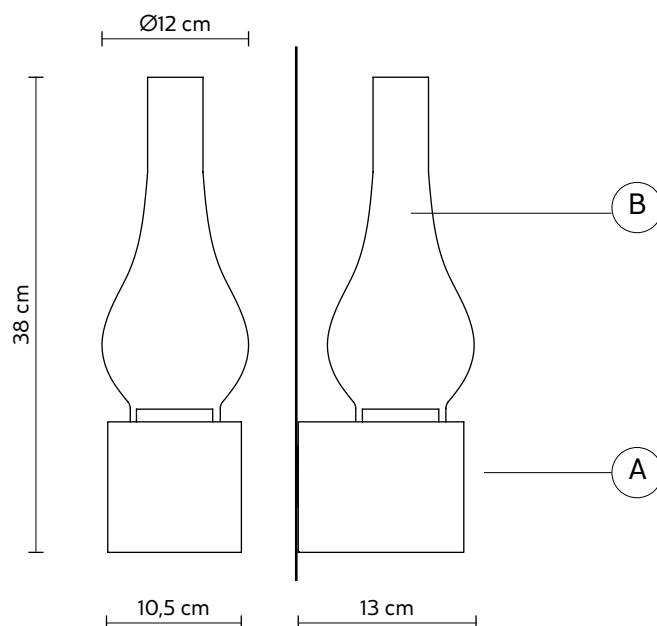


ELECTRICAL SYSTEM

socket E27
source 1 x max 52W
energy class from E to A++

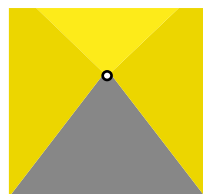
PACKAGING

n° cartons 2
net weight/kg 2,2 (A+B)
gross weight/kg 2,8 (A+B)
packaging/cm 21x21x20 (A) - 24x24x39 (B)



LIGHT EMISSION

unidirectional



COMPLIANT WITH

IEC 60598-1:2014
EN 60598-1:2015



degree of protection IP20
bulb optional



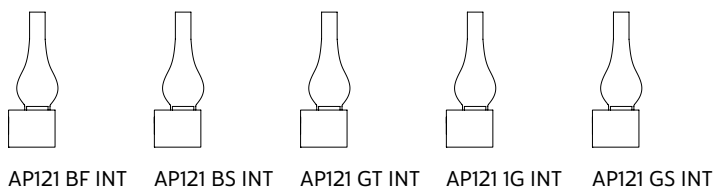
article **700P***
tungsten filaments
E27 - 25/40W ≤60lumen
class E

***these items are special,
decorative bulbs not for
illumination purposes**



COLLECTION

also available table lamp version



AMARCORD wall lamp

Matteo Ugolini design

year 2018

DATA SHEET - AP121 BF INT

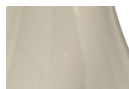
BASE "A"

material
colour concrete
white



DIFFUSER "B"

material
colour glass
smoked

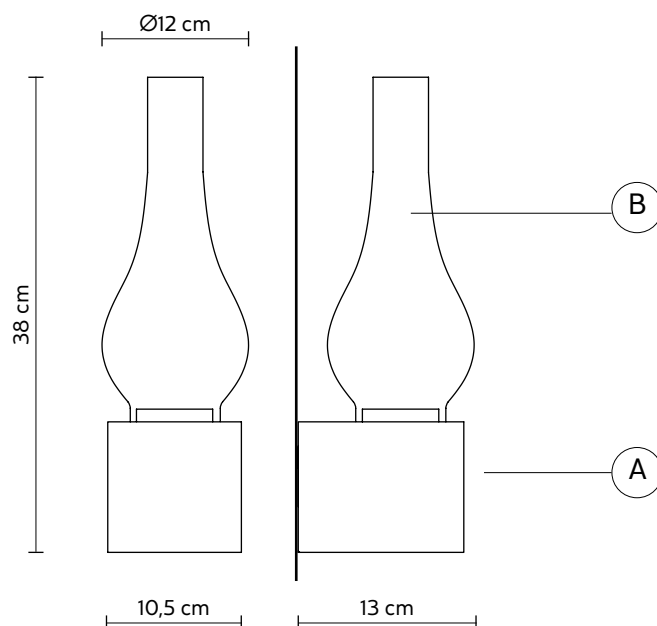


ELECTRICAL SYSTEM

socket E27
source 1 x max 52W
energy class from E to A++

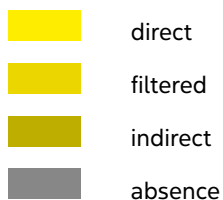
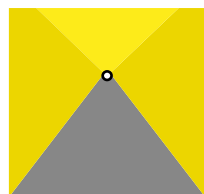
PACKAGING

n° cartons 2
net weight/kg 2,2 (A+B)
gross weight/kg 2,8 (A+B)
packaging/cm 21x21x20 (A) - 24x24x39 (B)



LIGHT EMISSION

unidirectional



COMPLIANT WITH

IEC 60598-1:2014
EN 60598-1:2015



degree of protection IP20
bulb optional



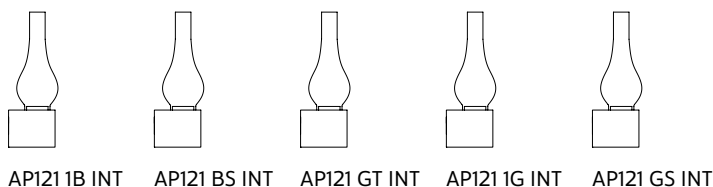
article **700P***
tungsten filaments
E27 - 25/40W ≤60lumen
class E

***these items are special,
decorative bulbs not for
illumination purposes**



COLLECTION

also available table lamp version



AMARCORD wall lamp

Matteo Ugolini design

year 2018

DATA SHEET - AP121 BS INT

BASE "A"

material
colour

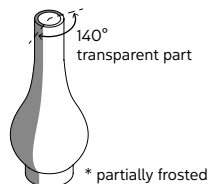
concrete
white



DIFFUSER "B"

material
colour

glass
frosted
transparent*



* partially frosted

ELECTRICAL SYSTEM

socket
source
energy class

E27
1 x max 52W
from E to A++

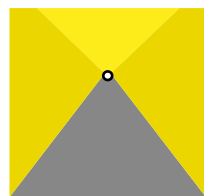
PACKAGING

n° cartons
net weight/kg
gross weight/kg
packaging/cm

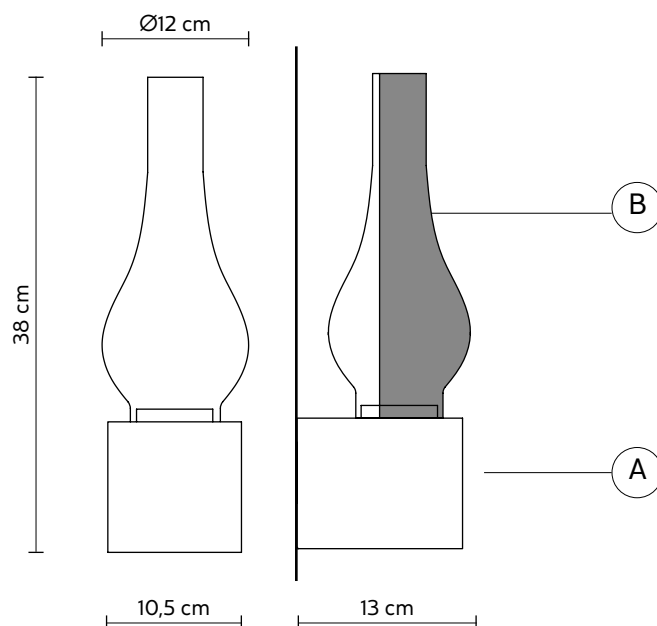
2
2,2 (A+B)
2,8 (A+B)
21x21x20 (A) - 24x24x39 (B)

LIGHT EMISSION

unidirectional



direct
filtered
indirect
absence



COMPLIANT WITH

IEC
EN

60598-1:2014
60598-1:2015



degree of protection
bulb

IP20
optional



article **700P***
tungsten filaments
E27 - 25/40W ≤60lumen
class E

***these items are special,
decorative bulbs not for
illumination purposes**

COLLECTION

also available table lamp version



AP121 1B INT



AP121 BF INT



AP121 GT INT



AP121 1G INT



AP121 GS INT

AMARCORD wall lamp

Matteo Ugolini design

year 2018

DATA SHEET - AP121 GT INT

BASE "A"

material
concrete

colour
dove grey



DIFFUSER "B"

material
glass

colour
transparent

ELECTRICAL SYSTEM

socket
E27

source
1 x max 52W

energy class
from E to A++

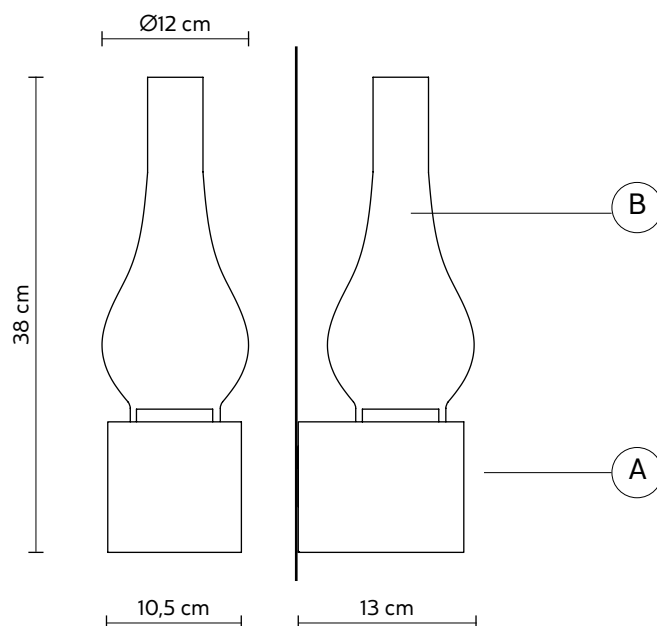
PACKAGING

n° cartons
2

net weight/kg
2,2 (A+B)

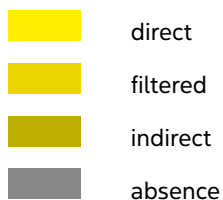
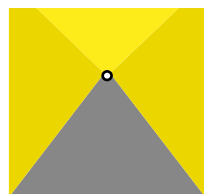
gross weight/kg
2,8 (A+B)

packaging/cm
21x21x20 (A) - 24x24x39 (B)



LIGHT EMISSION

unidirectional



COMPLIANT WITH

IEC
60598-1:2014

EN
60598-1:2015



degree of protection
IP20

bulb
optional



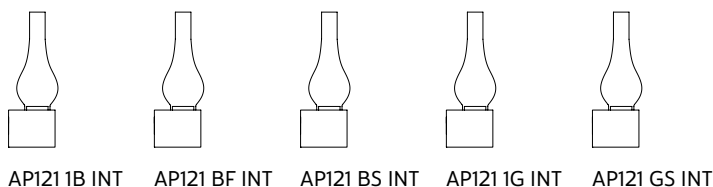
article **700P***
tungsten filaments
E27 - 25/40W ≤60lumen
class E

***these items are special,
decorative bulbs not for
illumination purposes**



COLLECTION

also available table lamp version



AMARCORD wall lamp

Matteo Ugolini design


year 2016

DATA SHEET - AP121 1G INT

BASE "A"

material	concrete	
colour	dove grey	

DIFFUSER "B"

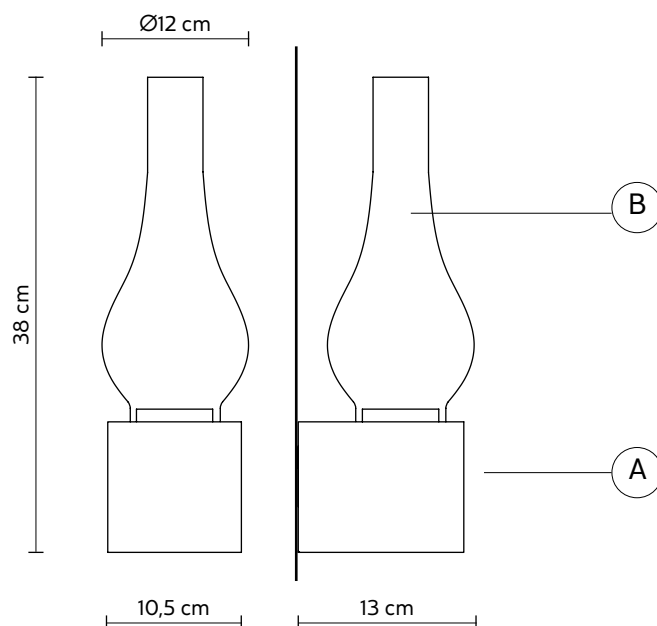
material	glass	
colour	smoked	

ELECTRICAL SYSTEM

socket	E27
source	1 x max 52W
energy class	from E to A++

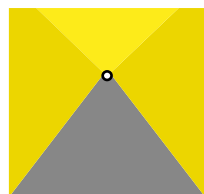
PACKAGING

n° cartons	2
net weight/kg	2,2 (A+B)
gross weight/kg	2,8 (A+B)
packaging/cm	21x21x20 (A) - 24x24x39 (B)



LIGHT EMISSION

unidirectional



	direct
	filtered
	indirect
	absence

COMPLIANT WITH

IEC	60598-1:2014
EN	60598-1:2015



degree of protection	IP20
bulb	optional



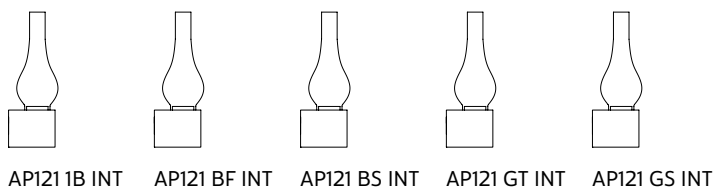
article **700P***
tungsten filaments
E27 - 25/40W ≤60lumen
class E

***these items are special,
decorative bulbs not for
illumination purposes**



COLLECTION

also available table lamp version



AMARCORD wall lamp

Matteo Ugolini design

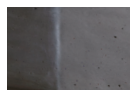
year 2018

DATA SHEET - AP121 GS INT

BASE "A"

material
colour

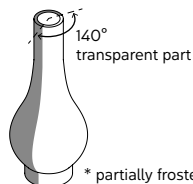
concrete
dove grey



DIFFUSER "B"

material
colour

glass
frosted
transparent*



* partially frosted

ELECTRICAL SYSTEM

socket
source
energy class

E27
1 x max 52W
from E to A++

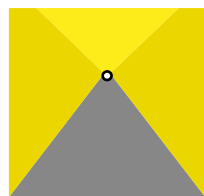
PACKAGING

n° cartons
net weight/kg
gross weight/kg
packaging/cm

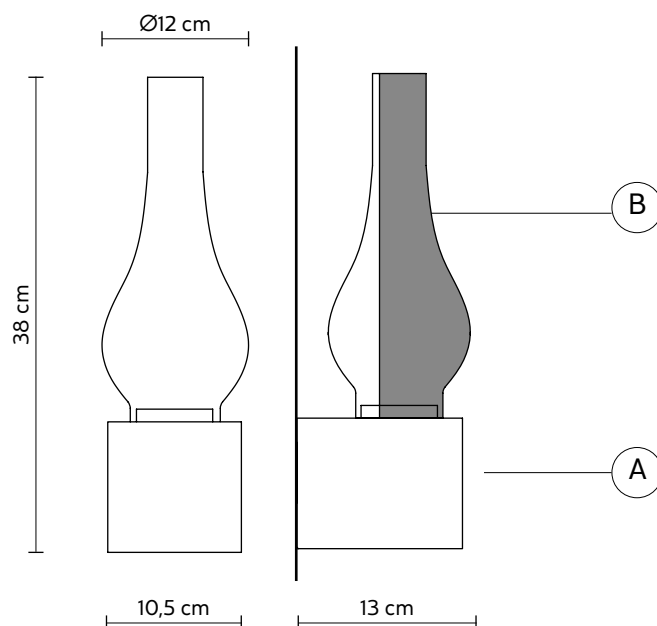
2
2,2 (A+B)
2,8 (A+B)
21x21x20 (A) - 24x24x39 (B)

LIGHT EMISSION

unidirectional



direct
filtered
indirect
absence



COMPLIANT WITH

IEC
EN

60598-1:2014
60598-1:2015



degree of protection
bulb

IP20
optional



article **700P***
tungsten filaments
E27 - 25/40W ≤60lumen
class E

***these items are special,
decorative bulbs not for
illumination purposes**

COLLECTION

also available table lamp version

