

viccarbe

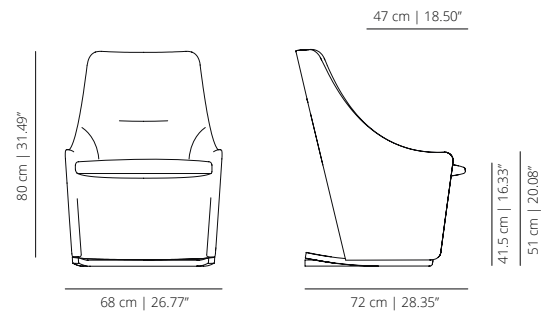
Nagi

Designed by Tomoya Tabuchi

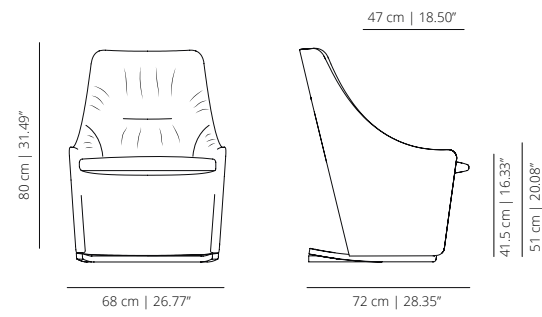
Technical info - EN

NAGI LOUNGE CHAIR - LOW BACKREST

NAGIB | NAGIBM
fixed smooth upholstery | rocking smooth upholstery

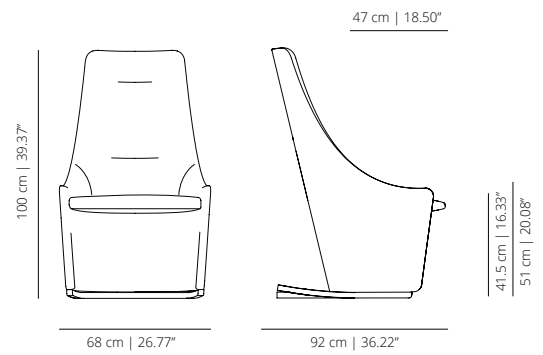


NAGIBS | NAGIBSM
fixed soft upholstery | rocking soft upholstery

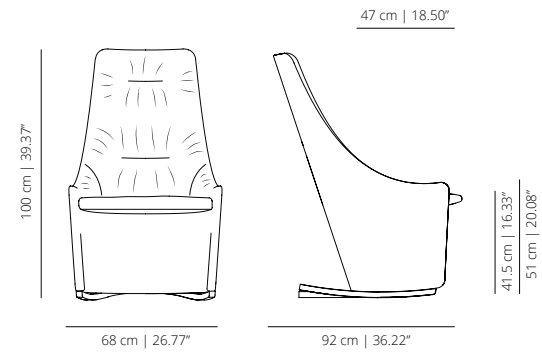


LOUNGE CHAIR HIGH BACKREST

NAGI | NAGIM
fixed smooth upholstery | rocking smooth upholstery



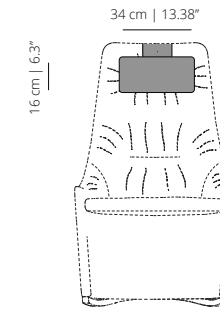
NAGIS | NAGISM
fixed soft upholstery | rocking soft upholstery



ACCESSORIES

NAGIRE
headrest

Accessory that adapts perfectly to the shape of the chair and the height of the user. It makes it possible to enhance comfort for situations that require prolonged sitting. Requires no installation. Available for the high chair in all fabrics of our collection.



FINISHES

Upholstery

Check [upholstery](#) samples

STRUCTURE



brass

Powder coated



white
RAL 9003



black
RAL 9005

TECHNICAL INFO

Internal steel tube and sheet structure with undeformable moulded Fire Retardant polyurethane foam. (Certificates CAL117 and CL 1 IM). Fabric or leather.

Inferior structure – (fixed and rocking) in calibrated steel tube with brass finish or powder coated in thermoreinforced polyester, in black, white, altea blue and fluorescent orange. Nylon glides.

CERTIFICATIONS

ANSI BIFMA X5.1-2011 and UNE EN 16139:13

Let's talk

We want to help you find the best designs for your project. Contact us and our team will get back to you as soon as possible.

CONTACT US

