



SCARLET  
SPLENDOUR

WOMAN IN PARIS



*Woman in Paris* is a stunning dressing table with two drawers and three mirrors, two of which can be moved to desired angles.

*recommended use* bedroom, hotel room

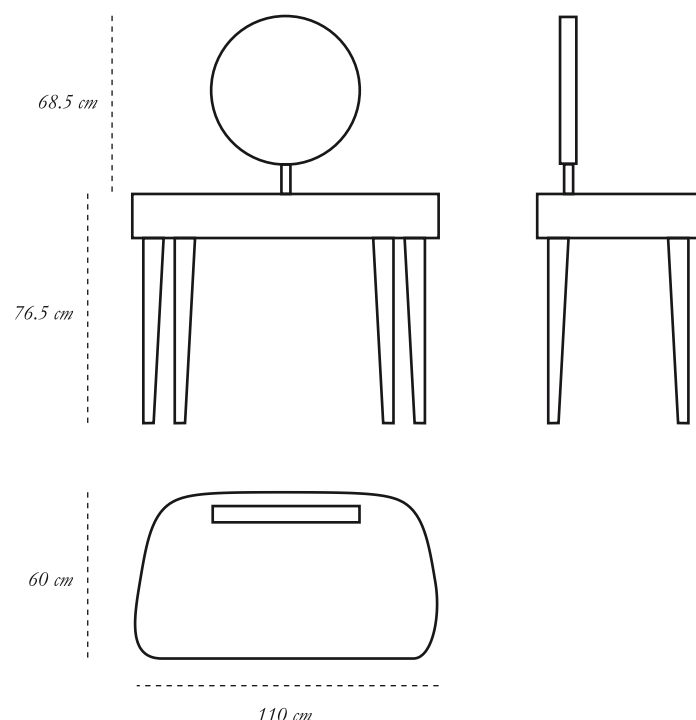
*collection* VANILLA  
**noir**

*designer* Matteo Cibic

*description* Vanity Table

*dimension* Width 110 cm  
Depth 60 cm  
Height 145 cm

*material* MDF, Plywood, Teakwood  
Resin Inlay, Mirrors and Metal



CARE Clean gently with dry soft cloth • In case of spillage of water wipe immediately • A premium, liquid wax may be used occasionally to refresh the high gloss

Each piece in the Vanilla Noir collection exalts the handmade, the painstakingly crafted, the authentic. A piece may have slight variations and tiny imperfections but these are the marks of an artisan, a testament to the individuality of each work of art. It is our belief that these variations infuse our objets d'art with desire and we assert our right to make necessary qualitative changes.