



SCARLET  
SPLENDOUR

WOMAN IN PARIS  
ROSSO

- LIMITED EDITION -  
LUXURY SERIES OF 50 | VANILLA  
FRINGED IN SCARLET | *noir*



*Woman in Paris Rosso* is a stunning dressing table with two drawers and three mirrors, two of which can be moved to desired angles.

*Only 50 pieces of Woman In Paris Rosso are available.*

*recommended use* bedroom, hotel room

*collection*

VANILLA  
***noir***

*designer*

Matteo Cibic

*description*

Vanity Table

*dimension*

Width 110 cm

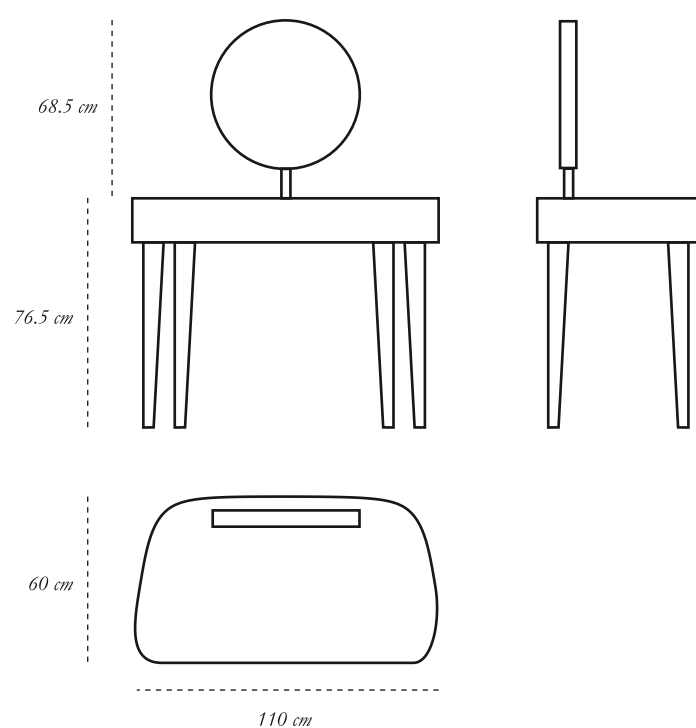
Depth 60 cm

Height 145 cm

*material*

MDF, Plywood, Teakwood

Resin Inlay, Mirrors and Metal



CARE Clean gently with dry soft cloth • In case of spillage of water wipe immediately • A premium, liquid wax may be used occasionally to refresh the high gloss

Each piece in the Vanilla Noir collection exalts the handmade, the painstakingly crafted, the authentic. A piece may have slight variations and tiny imperfections but these are the marks of an artisan, a testament to the individuality of each work of art. It is our belief that these variations infuse our objets d'art with desire and we assert our right to make necessary qualitative changes.