



SCARLET
SPLENDOUR

WOMAN IN PARIS
ORO



Woman in Paris Oro is an opulent vanity table with brass inlay. It has two drawers and three mirrors, two of which can be moved to desired angles

recommended use in a residence, hotel or commercial space

collection VANILLA **noir** | **ORO**

designer Matteo Cibic



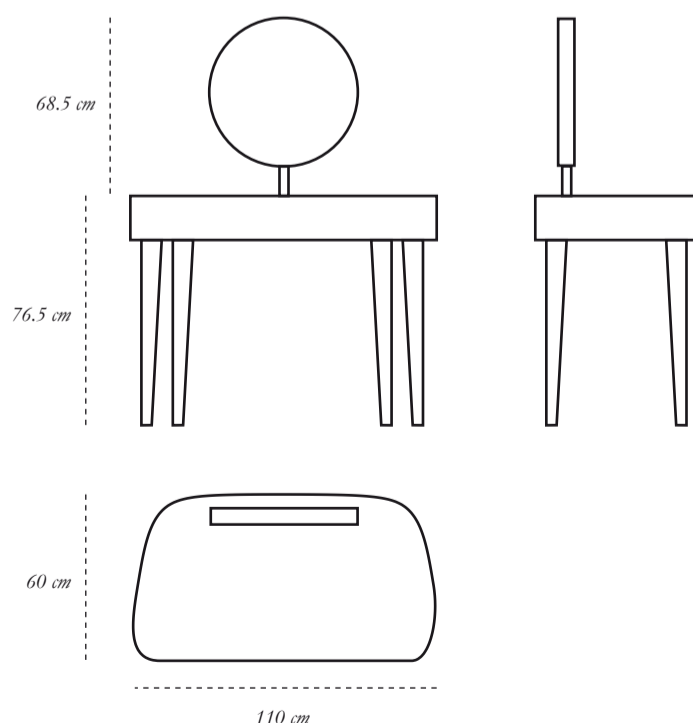
description Vanity Table

dimension Width 110 cm

Depth 60 cm

Height 145 cm

material MDF, Plywood, Brass, Mirror



CARE Clean gently with dry soft cloth • In case of spillage of water wipe immediately

Each piece in the Vanilla Noir Oro collection exalts the handmade, the painstakingly crafted, the authentic. A piece may have slight variations and tiny imperfections but these are the marks of an artisan, a testament to the individuality of each work of art. It is our belief that these variations infuse our objets d'art with desire and we assert our right to make necessary qualitative changes.