



SCARLET
SPLENDOUR

WOMAN IN PARIS
NUBE



Woman in Paris Nube is a sophisticated dressing table with two drawers and three mirrors, two of which can be moved to desired angles.

recommended use bedroom, hotel room

collection

VANILLA
noir

designer

Matteo Cibic

description

Vanity Table

dimension

Width 110 cm

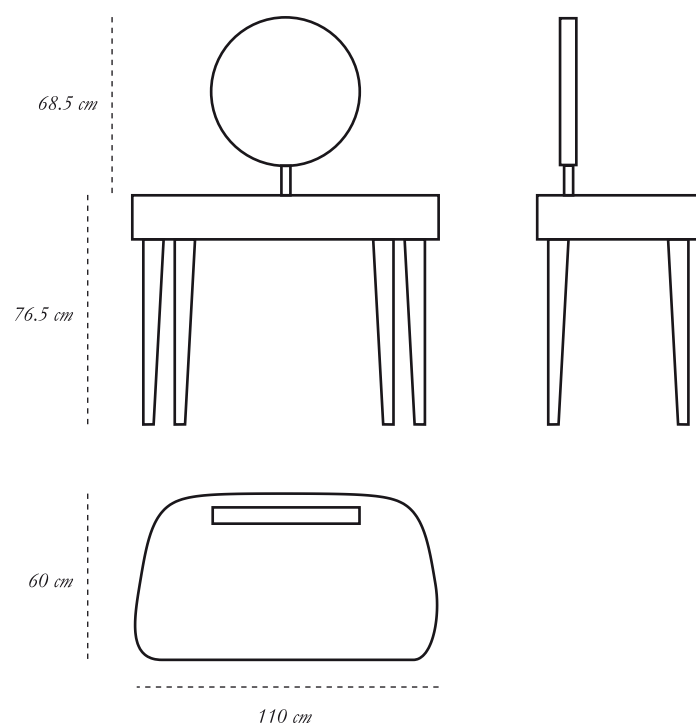
Depth 60 cm

Height 145 cm

material

MDF, Plywood, Teakwood

Resin Inlay, Mirrors and Metal



CARE Clean gently with dry soft cloth • In case of spillage of water wipe immediately • A premium, liquid wax may be used occasionally to refresh the high gloss

Each piece in the Vanilla Noir collection exalts the handmade, the painstakingly crafted, the authentic. A piece may have slight variations and tiny imperfections but these are the marks of an artisan, a testament to the individuality of each work of art. It is our belief that these variations infuse our objets d'art with desire and we assert our right to make necessary qualitative changes.