

viccarbe

Maarten Lounge Chair

Designed by Víctor Carrasco

Catalogue - EN

2017



Víctor Carrasco

Born in Valencia (Spain) in 1974, Víctor Carrasco began his professional career after graduating Cum Laude in Industrial Design Engineering at the Polytechnic University of Valencia.

Shying away from trends and fads, he has developed and positioned international brands with remarkable added value, thanks to his passion for synthesis, sustainable growth and his pragmatic vision of the future.

Since 2007, he has been combining his position as strategic director of Viccarbe with that of Director Business Development for the prestigious American multinational Coalesse (Steelcase Inc.). Likewise, as an industrial designer, he has collaborated with numerous international companies.

He was the recipient of the Prince Felipe Award for Business Excellence and he has also won the German Design Award.

Lounge Chair,

Maarten

2017 — The Maarten armchair is a perfect complement for informal meeting spaces, lounges or reception areas in large facilities.

It has a slightly lower height than the chair and a wider seat, which allows for the composition of environments with other elements such as sofas, poufs and side tables. In this way, it will provide the necessary dose of flexibility to spaces in which one can let communication and encounter flow.

As an armchair, Maarten is a particularly elegant model as regards its proportions and optional details. The generosity of its seat and the possibility of incorporating armrests with oak finishes will transport us to the distinction of the offices of the '70s, to the balance between materials, to the search for comfort above all things.



Project: Borso Lawyer Offices
Pictures: Ángel Segura



Maarten Lounge Chair



Maarten lounge chair wooden swivel base smooth upholstery

Maarten lounge chair swivel base smooth upholstery & wooden arms

Maarten lounge chair swivel base soft upholstery

Maarten lounge chair swivel base soft upholstery & wooden arms

Maarten Table



Maarten table H30, D120 cm / H11.81", D47.24"

Maarten table H30, 80x80 cm / H11.81", 31.50"x31.50"

Mesa Maarten H74, D160 cm / H29.13", D62.99"

Mesa Maarten H74, D160 cm / H29.13", D62.99"



Maarten table H74, D160 cm / H29.13", D62.99"

Maarten table H74, D120 cm / H29.13", D47.24" with casters

Maarten table H74, 80x80 cm / H29.13", 31.50"x31.50"

Maarten table H74, 160 x 80 cm / H29.13", 62.99"x31.50"



Maarten table H74, D120 cm / H29.13", D47.24" with casters

Maarten table H74, 180x80 cm / H29.13", 70.87"x31.50"

Maarten table H74, 200x80 cm / H29.13", 78.74"x31.50" with casters

Maarten table H74, 180x80 cm / H29.13", 70.87"x31.50" & modesty screen

For more info: www.viccarbe.com/model/maarten

Maarten Chair



Maarten chair 4 legs soft upholstery

Maarten chair sled base soft upholstery

Maarten chair swivel base soft upholstery

Maarten chair swivel base soft upholstery & arms

Maarten chair swivel wooden base soft uph. & arms



Maarten chair flat swivel base smooth upholstery

Maarten chair flat swivel base soft upholstery

Maarten chair pyramid swivel base soft upholstery

Maarten chair pyramid swivel base with casters smooth upholstery

Maarten chair pyramid swivel base with casters soft upholstery

Maarten Stool



Maarten bar stool soft upholstery

Maarten bar stool smooth upholstery

Maarten bar stool smooth upholstery

Maarten counter stool soft upholstery

Maarten counter stool smooth upholstery & arms



Maarten bar stool soft upholstery

Maarten bar stool smooth upholstery

Maarten bar stool soft upholstery & arms

Maarten counter stool soft upholstery

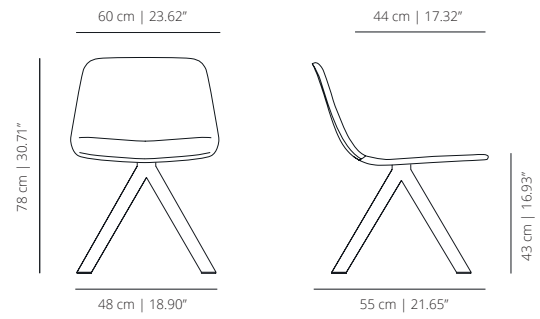
Maarten counter stool soft upholstery

Maarten Lounge Chair

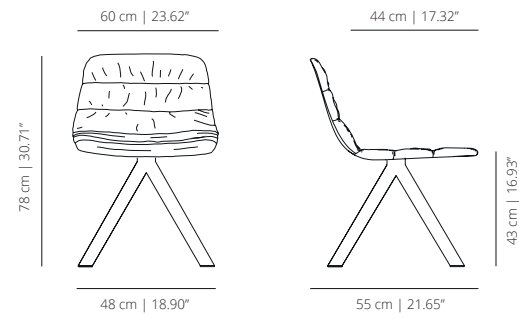
Technical Info - EN

SWIVEL BASE

MAALBU
smooth upholstery

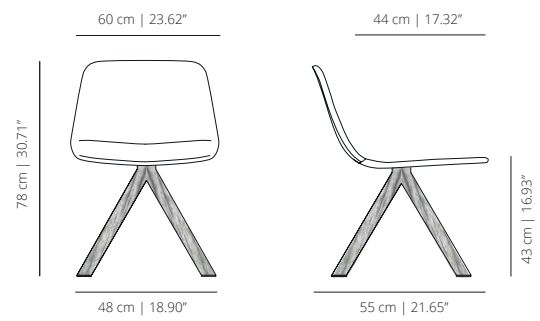


MAABU
soft upholstery

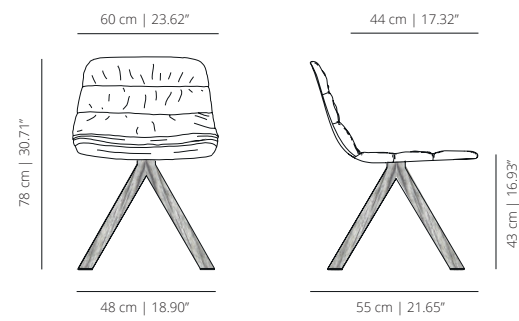


SWIVEL WOODEN BASE

MAALBUM
smooth upholstery



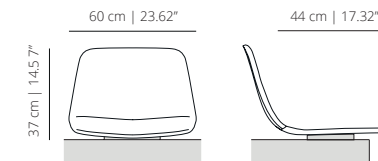
MAABUM
soft upholstery



ACCESSORIES

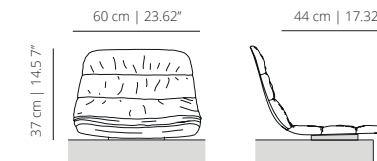
MAALBUAU
auditorium base smooth upholstery

Base in calibrated powder coated steel in thermoreinforced polyester in grey, with 3D curved plywood covered by expanded polyurethane foam with a soft or smooth finish, suitable for large surfaces.



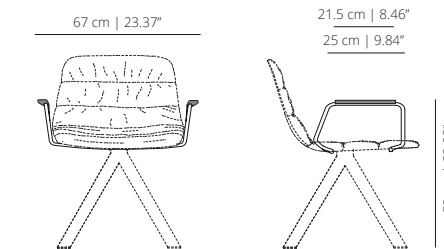
MAABUAU
auditorium base soft upholstery

Base in calibrated powder coated steel in thermoreinforced polyester in grey, with 3D curved plywood covered by expanded polyurethane foam with a soft or smooth finish, suitable for large surfaces.



MAABUB
arms

Calibrated steel arms powder coated in thermoreinforced polyester in white, black, sand, altea blue or flourescent orange, with natural oak armrests stained with the finishes of our collection.



FINISHES

Upholstery

Check upholstery samples.

STRUCTURE | ARMS

Powder coated



white
RAL 9003



black
RAL 9005



taupe
RAL 1019



orange
RAL 2005

Stained



matt oak



cognac



wenge



ash

TECHNICAL INFO

Seat – moulded shell with 3D plywood covered in shape-holding polyurethane foam and polyester fiber. Fixed upholstery covering available in the classic and plain version.

Base options:

Swivel base – Calibrated steel swivel structure powder coated in thermoreinforced polyester in white, black, sand, altea blue or fluorescent orange. Expanded polyurethane foam. Fabric or leather. Transparent injection polypropylene glides. Calibrated steel arms powder coated in thermoreinforced polyester in white, black, sand, altea blue or fluorescent orange, with natural oak armrests stained with the finishes of our collection.

Swivel wooden base – Calibrated steel with an oak veneer stained with the finishes of our collection. Expanded polyurethane foam. Fabric or leather. Transparent injection polypropylene glides. Calibrated steel arms powder coated in thermoreinforced polyester in white, black, sand, altea blue or fluorescent orange, with natural oak armrests stained with the finishes of our collection.

CERTIFICATIONS

ANSI BIFMA X5.4-2012