



Burin

BY PATRICIA URQUIOLA

Burin

BY PATRICIA URQUIOLA

Technical Info EN

2018



Burin is a symbolic tribute to traditional wood carving tools.

The unmistakable silhouette of the base runs through this extension of the collection to include a new table with a central base, available in different heights and a double version for large surface areas.

Conceived for both homes and community spaces, the new Burin table gives continuity to the family that was launched in 2011 with the side table designed by Patricia Urquiola.

Patricia Urquiola

Patricia Urquiola was born in Oviedo (Spain) and currently lives and works in Milan.

She graduated from the Faculty of Architecture at the Technical University of Madrid in 1989, after completing a thesis with Achille Castiglioni. From 1990 to 1992, she was assistant lecturer to both Achille Castiglioni and Eugenio Bettinelli at the Milan Polytechnic and the E.N.S.C.I. in Paris.

Between 1990 and 1996, she worked in the new product development office of De Padova and, with Vico Magistretti, signing the products: "Flower", "Loom sofa", "Chaise" and "Chaise Longue".

From 1993 to 1996, she worked with the architects de Renzio and Ramerino and was engaged in architectural design, showrooms, restaurants and franchising (Maska/Italy, Tomorrowland Stores/Japan, Des Pres/France).

In 1996 she became head of the design department at Lissoni Associati, working for many different international brands.

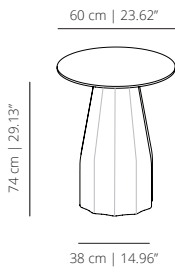
Her products were selected for the Italian Design 2001 exhibition. In 2001 she was chair of the jury for the 19th CDIM Design Award and was lecturer at the Domus Academy.

She is currently working in her own practice in Milan in the fields of design, exhibitions, art direction and architecture.

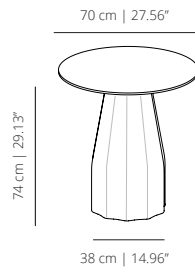


HEIGHT 74 | 29¹³/₆₄

BUD60_
table round 60 | 23⁵/₈

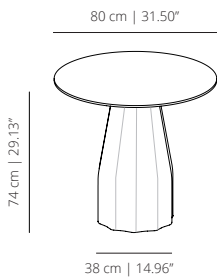


BUD70_
table round 70 | 27⁶¹/₆₄

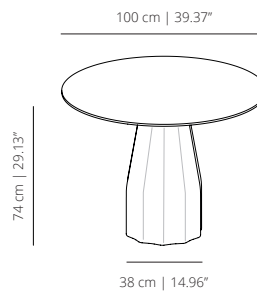


HEIGHT 74 | 29¹³/₆₄

BUD80_
table round 80 | 31¹/₂

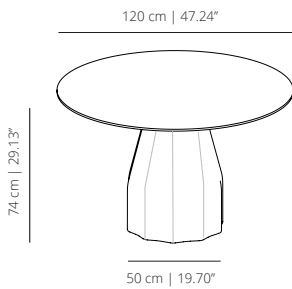


BUD100_
table round 100 | 39³/₈

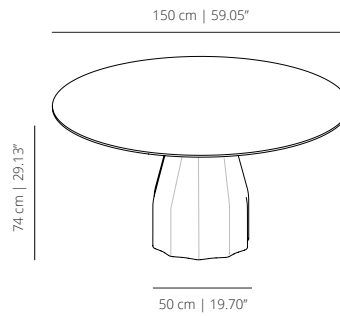


HEIGHT 74 | 29¹³/₆₄

BUD120_
table round 120 | 47¹/₄

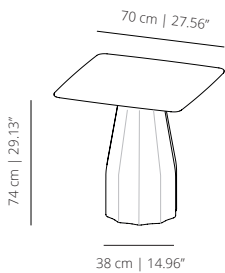


BUD150_
table round 150 | 59¹/₁₆

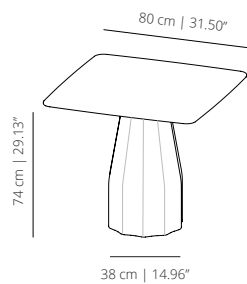


HEIGHT 74 | 29¹³/₆₄

BUC70_
table 70x70 | 27⁶¹/₆₄ x 27⁶¹/₆₄

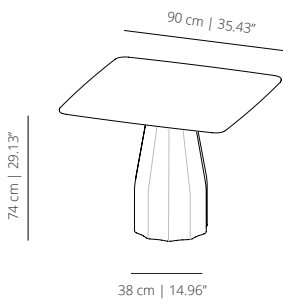


BUC80_
table 80x80 | 31¹/₂ x 31¹/₂

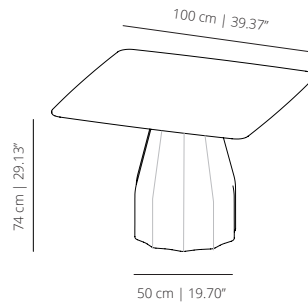


HEIGHT 74 | 29¹³/₆₄

BUC90_
table 90x90 | 35⁷/₁₆ x 35⁷/₁₆

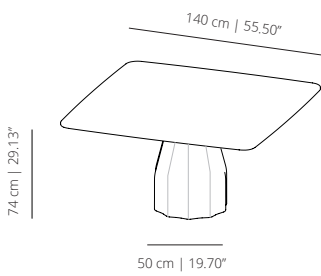


BUC100_
table 100x100 | 39³/₈ x 39³/₈

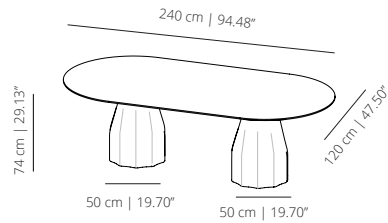


HEIGHT 74 | 29¹³/₆₄

BUC140_
table 140x140 | 55¹/₈ x 55¹/₈

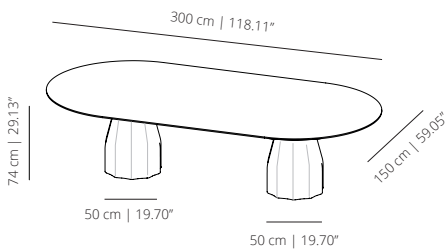


BUC240_
table 240x120 | 94¹/₂ x 47¹/₄

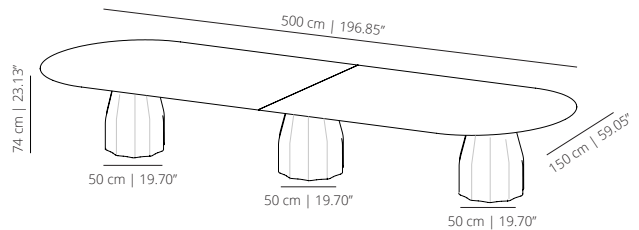


HEIGHT 74 | 29¹³/₆₄

BUC300_
table 240x120 | 118⁷/₆₄ x 59¹/₁₆

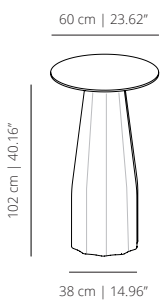


BUC500_
table 500x150 | 196²⁷/₃₂ x 59¹/₁₆

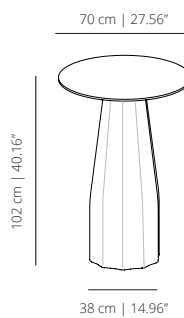


HEIGHT 102 | 40³/₁₆

BUD60H_
table round 60 | 23⁵/₈

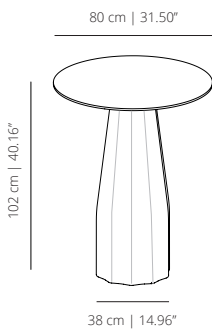


BUD70H_
table round 70 | 27⁶/₁₆

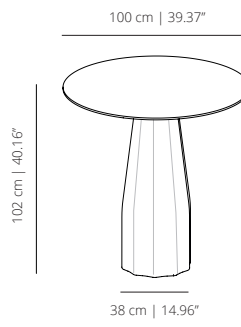


HEIGHT 102 | 40³/₁₆

BUD80H_
table round 80 | 31¹/₂"

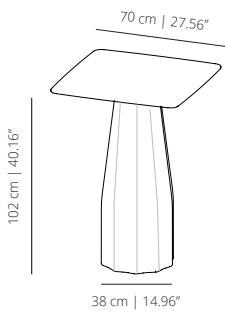


BUD100H_
table round 100 | 39³/₈"

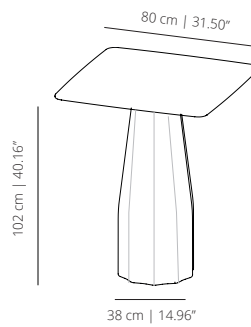


HEIGHT 102 | 40³/₁₆

BUC70H_
table 70x70 | 27⁶/₁₆" x 27⁶/₁₆"

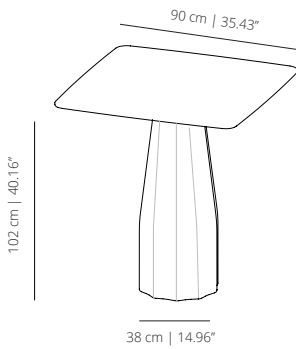


BUC80H_
table 80x80 | 31¹/₂" x 31¹/₂"



HEIGHT 102 | 40³/₁₆

BUC80H_
table 90x90 | 35⁷/₁₆" x 35⁷/₁₆"



For the different table tops, we offer the possibility of installing the following accessories. The drawings with the location of the accessories need the approval of the technical department.

CAP*
rectangular conduit

Metallic access cover to the lower part of the table. Available in white, black or grey. Does not include electrifications. Dimensions: 32x15 cm | 12.59"x5.90".



**Cut out not included*

CAPP*
rectangular conduit plus

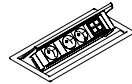
Metal access cover to the lower part of the table, for wooden table tops. Metal frame available in black or grey and central part in the veneer of the finish of the table. Does not include electrifications. Dimensions: 32x15 cm | 12.59"x5.90".



**Cut out not included*

BOX-E* | BOX-M*
power box for table top

BOX-E: 4 plugs | BOX-M: 4 elements (plugs and multimedia). Metal cover with 4 plugs or combined with integrated multimedia elements. Available in white, black or grey. Dimensions: 32x15 cm | 12.59"x5.90".



**Cut out not included*

BOXP-E* | BOXP-M*
power box plus for table top

Metal cover with 4 plugs or combined with integrated multimedia elements, for wooden table tops. Metal frame available in black or grey and central part in the veneer of the finish of the table. Dimensions: 32x15 cm | 12.59"x5.90".



**Cut out not included*

CUBO
powerbox under top

Power box available with 2 plugs or combined with integrated multimedia elements. Metal frame available in white or black.



ACCESSORIES

BUUSB

USB port

USB port for charging electronic devices totally integrated in the table.
Available in white or black. Dimensions: Ø 3 cm | 1.18"



BUWI

wireless charger

Concealed wireless charger that is compatible with all devices with Qi version 1.2 wireless charging system. It has a quick charge system.



BUTC

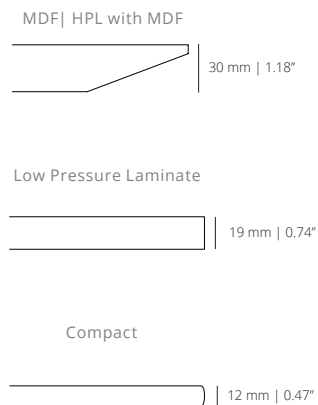
pop-up sockets

Hidden pop-up socket cylinder in stainless steel finish comprising 2 Schuko sockets or 1 Schuko socket + 2 charging USB. For different configurations, consult the sales department. The cylinder slots away in the tabletop, and pops up by gently pressing on it, offering the possibility of connection on four sides.

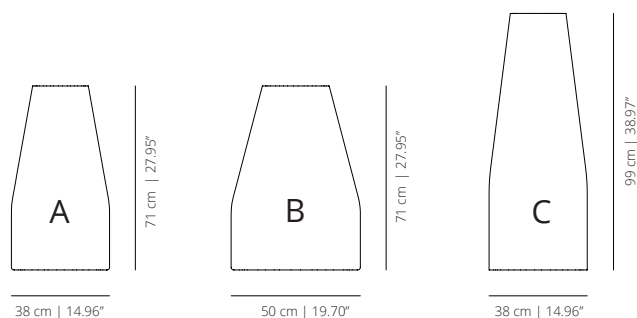
NOTE: Not available for compact.



Thickness and type of table top edges available for each material:



Heights and types of bases available:

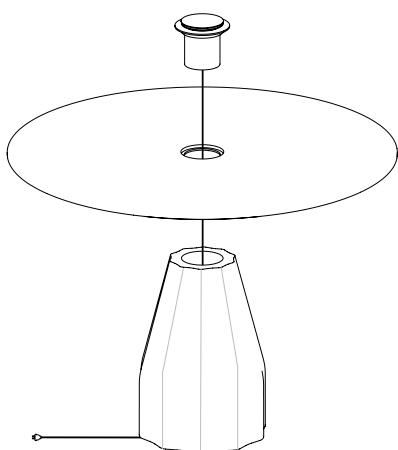


Range of tops for base A: D60 - D100 | 60x60 - 90x90
D23.62" - D39.37" | 23.62"x23.62" - 35.43"x 35.43"

Range of tops for base B: D120 - D150 | 100x100 - 140x140
D47.24" - D59.05" | 39.37"x39.37" - 55.11"x55.11"

Range of tops for base C: D60 - D100 | 70x70 - 90x90
D23.62" - D39.37" | 27.55"x27.55" - 35.43"x 35.43"

Different electrification options:



FINISHES

BASE



white
RAL 9003



black
RAL 9005



sand
NCS 3005Y50R

TABLE TOP

Lacquered (microtexturized)



white
RAL 9003



black
RAL 9005



grey
RAL 7004



red
RAL 3001



blue
RAL 5024



tobacco
RAL 8028



smoke
RAL 1019



silver
RAL 9006



mustard
RAL 1012



green
RAL 6007



sand
NCS 3005Y50R

Stained



matt oak



cognac



wenge



ash

HPL with MDF



black



white

Low pressure laminate

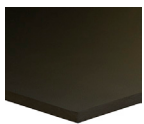


black



white

Compact laminate



black
black edge



white
white edge



white
black edge

TECHNICAL INFO

Base – central support available in roto-moulded polyethylene in white, black or sand.

Table top – the 30 mm | 1.18" thick cover or work surface is made with microtextured MDF. It is lacquered with one of our collection's finishes, making it very scratch resistant. It also comes with a solid oak veneer, stained in mate, wenge, cognac or ash. Available in high resistance materials such as HPL with MDF for heavy contract use.



viccarbe