

# 101

C O P E N H A G E N



## URCHIN PLANT POT BIG

Inspired by the shape of a sea urchin, Urchin is characterized by a large oval pot, resting on top of what appears to be three massive legs. Designed as a new take on the traditional plant pot saucer, the massive legs can hold water from a plant and allows the plant to breath.

Urchin comes in four sizes. Each Urchin includes two pieces, a plant pot and saucer. Both plant pot and saucer is waterproof and a small hole in the bottom of the pot, ensures a good water and air flow for the plant.

Designed by Kristian Sofus Hansen & Tommy Hyldahl.

Product no: 231001

Type: Plant Pot  
Indoor/outdoor, not frostproof

Designer / Year of design:  
Kristian Sofus Hansen & Tommy Hyldahl, 2020

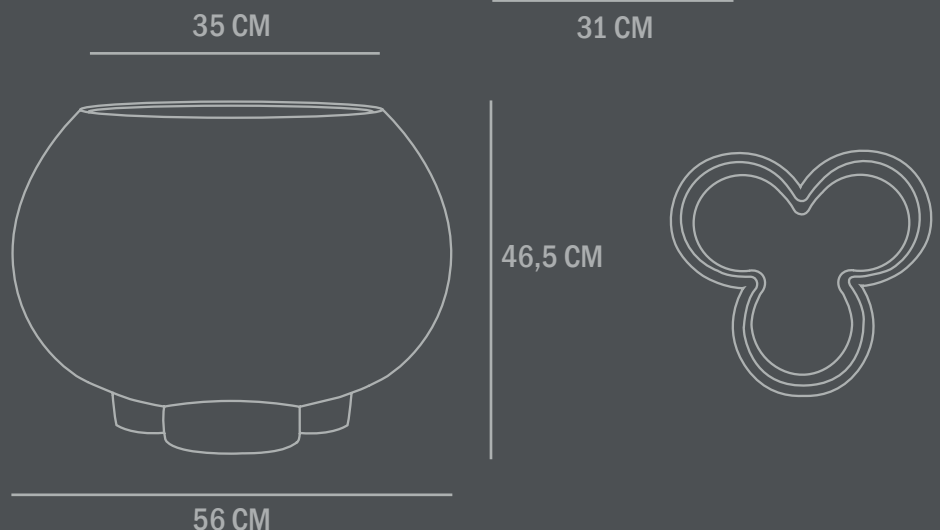
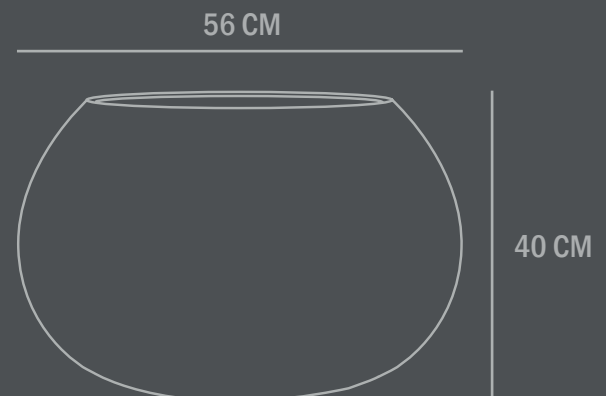
Colour: Coffee  
Material: Fiber Concrete

Care instructions:  
Use a soft dry cloth to clean the product.  
Do not use household cleaners.

Dimensions: L56 / W56 / H40 CM  
Country of origin: CN

Product weight: 12,00 Kgs

Packaging:  
Dimensions: L63,5 / W62 / H51,5 CM  
Total weight incl. product: 13,50 Kgs  
Number of parcels: 1  
Material: Brown cardboard





Product no: 231002

Type: Plant Pot  
Indoor/outdoor, not frostproof

Designer / Year of design:  
Kristian Sofus Hansen & Tommy Hyldahl, 2020

Colour: Coffee  
Material: Fiber Concrete

Care instructions:  
Use a soft dry cloth to clean the product.  
Do not use household cleaners.

Dimensions: L46,5 / W46,5 / H32 CM  
Country of origin: CN

Product weight: 8,00 Kgs

Packaging:  
Dimensions: L54,5 / W54 / H39 CM  
Total weight incl. product: 9,50 Kgs  
Number of parcels: 1  
Material: Brown cardboard

## URCHIN PLANT POT MEDIO

Inspired by the shape of a sea urchin, Urchin is characterized by a large oval pot, resting on top of what appears to be three massive legs. Designed as a new take on the traditional plant pot saucer, the massive legs can hold water from a plant and allows the plant to breath.

Urchin comes in four sizes. Each Urchin includes two pieces, a plant pot and saucer. Both plant pot and saucer is waterproof and a small hole in the bottom of the pot, ensures a good water and air flow for the plant.

Designed by Kristian Sofus Hansen & Tommy Hyldahl.

