

# 101

## C O P E N H A G E N

### TOE CHAIR

A tribute to 70s futuristic design and space age, Toe is a lounge chair with expressive aesthetics and high seating comfort. Characterised by a sculptural approach to furniture design, the Toe Chair has a thick fluted upholstery running from seat to back, creating a linear and voluminous shape. The open chair form gives a free and easy seating experience, while the special combination of different kinds of foam ensures an overall high seating comfort.

Toe Chair comes in off-white bouclé fabric or chalk-colored linen fabric.

Designed by Kristian Sofus Hansen & Tommy Hyldahl



Product no: 231043

Type: Chair

Designer / Year of design:

Kristian Sofus Hansen & Tommy Hyldahl, 2020

Colour: White Chalk

Material: Linen

Care instructions: Use a clean, damp cloth to soak up the liquid. Do not scrub the cloth and grind the stain into the fabric this will damaging the surface of the fabric. For the best results gently dab and lift the stains. For slightly more stubborn stains and, a mild detergent can be used. Never use a scourer as this will damage the surface of the bouclé. Use the soft side of a white colored cloth. bouclé furniture is not suited to places in direct sunlight as the fabric can become sun damaged.

Dimensions: L70 / W80 / H72 CM

Seat height: 34 CM / Seat depth: 47 CM

Backrest height: 28 CM

Weight capacity: 150 Kgs

Country of origin: CN

Product weight: 25 Kgs

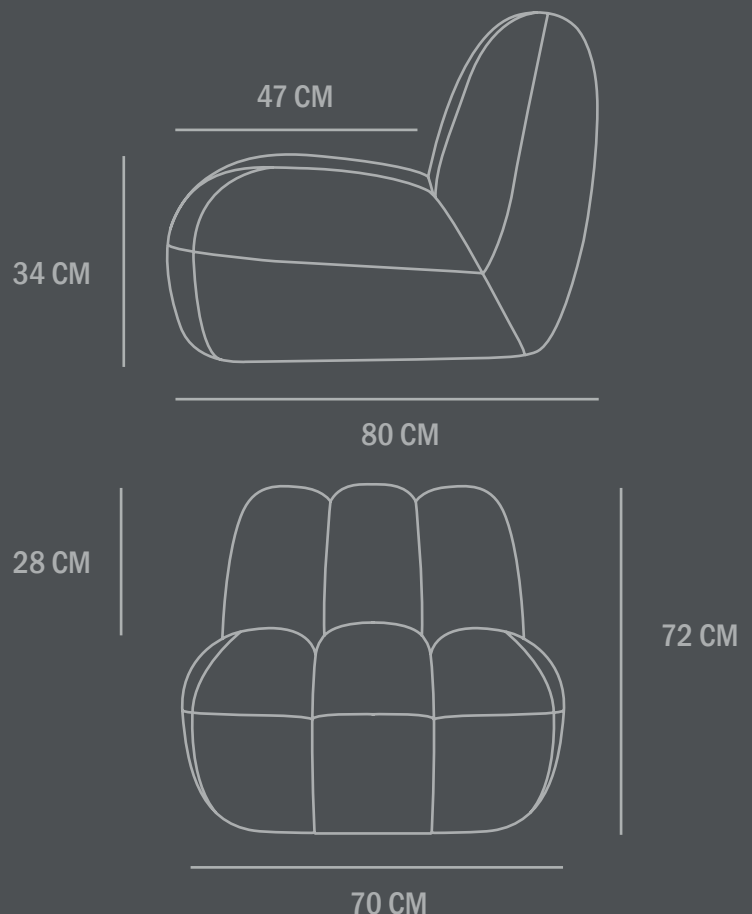
Packaging:

Dimensions: L92 / W77 / H74 CM

Total weight incl. product: 31 Kgs

Number of parcels: 1

Material: Brown cardboard



# 101

C O P E N H A G E N



## TOE CHAIR

A tribute to 70s futuristic design and space age, Toe is a lounge chair with expressive aesthetics and high seating comfort. Characterised by a sculptural approach to furniture design, the Toe Chair has a thick fluted upholstery running from seat to back, creating a linear and voluminous shape. The open chair form gives a free and easy seating experience, while the special combination of different kinds of foam ensures an overall high seating comfort.

Toe Chair comes in off-white bouclé fabric or chalk-colored linen fabric.

Designed by Kristian Sofus Hansen & Tommy Hyldahl

Product no: 223015

Type: Chair

Designer / Year of design:

Kristian Sofus Hansen & Tommy Hyldahl, 2020

Colour: off-white bouclé

Material: Bouclé

Care instructions: Use a clean, damp cloth to soak up the liquid. Do not scrub the cloth and grind the stain into the fabric this will damaging the surface of the fabric. For the best results gently dab and lift the stains. For slightly more stubborn stains and, a mild detergent can be used. Never use a scourer as this will damage the surface of the bouclé. Use the soft side of a white colored cloth. bouclé furniture is not suited to places in direct sunlight as the fabric can become sun damaged.

Dimensions: L70 / W80 / H72 CM

Seat height: 34 CM / Seat depth: 47 CM

Backrest height: 28 CM

Weight capacity: 150 Kgs

Country of origin: CN

Product weight: 25 Kgs

Packaging:

Dimensions: L92 / W77 / H74 CM

Total weight incl. product: 31 Kgs

Number of parcels: 1

Material: Brown cardboard

