



SCARLET
SPLENDOUR

THE METROPOLIS
REVISITED



The Metropolis Revisited is a beautiful dining/breakfast table for four with a circular top.

recommended use residence, hotel or office atrium

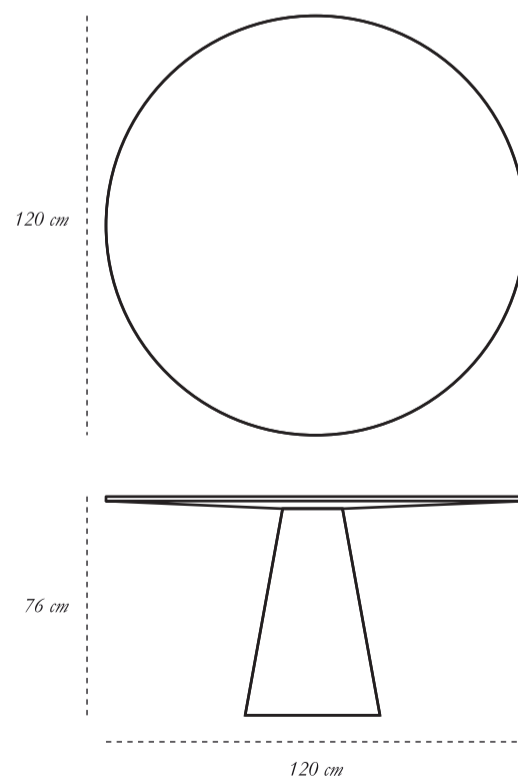
collection VANILLA
noir

designer Matteo Cibic

description Table

dimension diameter 120 cm
height 76 cm

material MDF, Plywood and Resin inlay



CARE Clean gently with dry soft cloth • In case of spillage of water wipe immediately • A premium liquid wax may be used occasionally to refresh the high gloss

Each piece in the Vanilla Noir collection exalts the handmade, the painstakingly crafted, the authentic. A piece may have slight variations and tiny imperfections but these are the marks of an artisan, a testament to the individuality of each work of art. It is our belief that these variations infuse our objets d'art with desire and we assert our right to make necessary qualitative changes.