



SCARLET
SPLENDOUR

THE GENERAL
GIUSTO



The General Giusto is a chic beige and grey study table with an extendable writing top and small details reminiscent of a traditional desk

recommended use Can be used in a study, bedroom, living room, office, hotel suite or lobby

collection VANILLA
NOIR

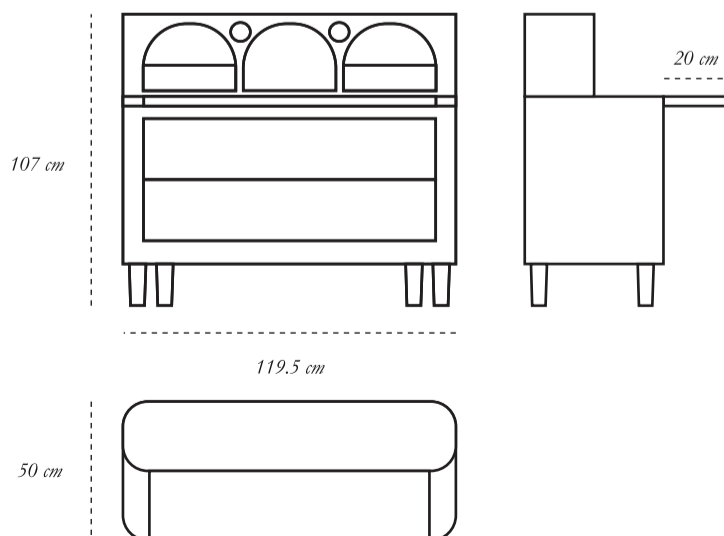
designer Matteo Cibic



description
dimension

Study Table
width 119.5 cm
depth 50 cm
height 107 cm

material MDF, Plywood, Teakwood and Resin inlay



CARE Clean gently with dry soft cloth • In case of spillage of water wipe immediately • A premium, liquid wax may be used occasionally to refresh the high gloss

Each piece in the Vanilla Noir collection exalts the handmade, the painstakingly crafted, the authentic. A piece may have slight variations and tiny imperfections but these are the marks of an artisan, a testament to the individuality of each work of art. It is our belief that these variations infuse our objets d'art with desire and we assert our right to make necessary qualitative changes.