



SCARLET  
SPLENDOUR

THE CIRCUS  
REVISITED



*The Circus Revisited* is a versatile small table  
*recommended use* Can be used as a coffee table or an odd table in a residence, hotel or office.

*collection*

VANILLA  
***noir***

*designer*

Matteo Cibic

*description*

Table

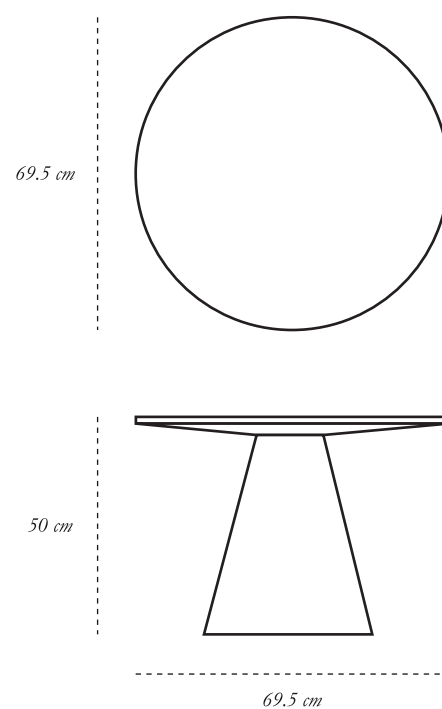
*dimension*

width 69.5 cm

height 50 cm

*material*

MDF, Plywood and Resin inlay



CARE Clean gently with dry soft cloth • In case of spillage of water wipe immediately • A premium, liquid wax may be used occasionally to refresh the high gloss

Each piece in the Vanilla Noir collection exalts the handmade, the painstakingly crafted, the authentic. A piece may have slight variations and tiny imperfections but these are the marks of an artisan, a testament to the individuality of each work of art. It is our belief that these variations infuse our objets d'art with desire and we assert our right to make necessary qualitative changes.