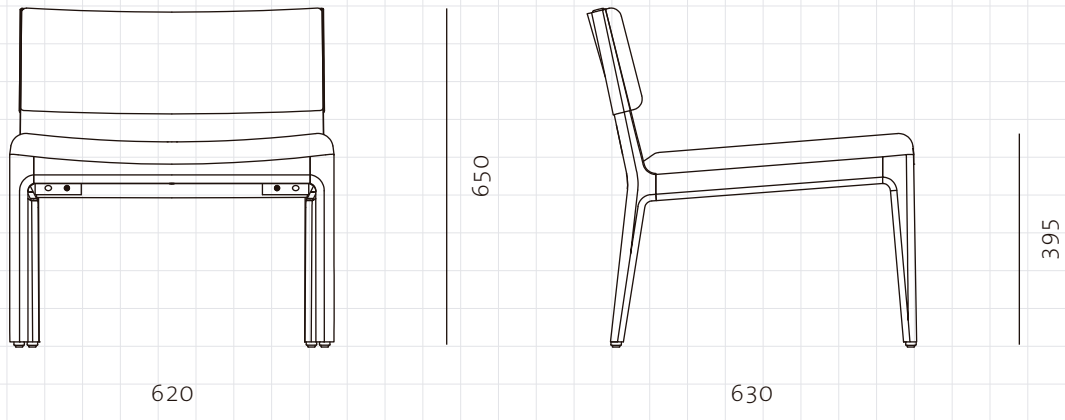


Taylor Lounge Chair



CODE DIMENSIONS

TA-S112
W620 x D630 x H650mm
Seating height: 395mm

NET WEIGHT ENVIRONMENT MATERIALS

7.0 kg
Indoor
Solid wood frame, upholstery

*Please refer to website or contact your local representative for complete material swatches.

SHIPPING

Package	Assembled		
Package Qty	1 pcs/box		
Packaging	Measurement (mm)	Volume (cbm)	Gross Weight (kg)
FCL	W690 x D690 x H700	0.33	11.83
LCL/AIR	W710 x D710 x H795	0.40	17.69