

101

C O P E N H A G E N



TAIRU TABLE

Tairu, the Japanese word for tiles, is a modern take on mid-century tile tables.

The tables come in two versions one with tiles in calacatta and the other version made of three types of exquisite marble, Peach Wind, Calacatta Violet and Valencia Yellow, all tiles mounted into a table frame of fiber concrete. Every table is unique, due to the natural color and pattern variations within each marble stone.

Designed by Kristian Sofus Hansen & Tommy Hyldahl.

Product no: 223097

Type: Table

Designer / Year of design:
Kristian Sofus Hansen & Tommy Hyldahl, 2020

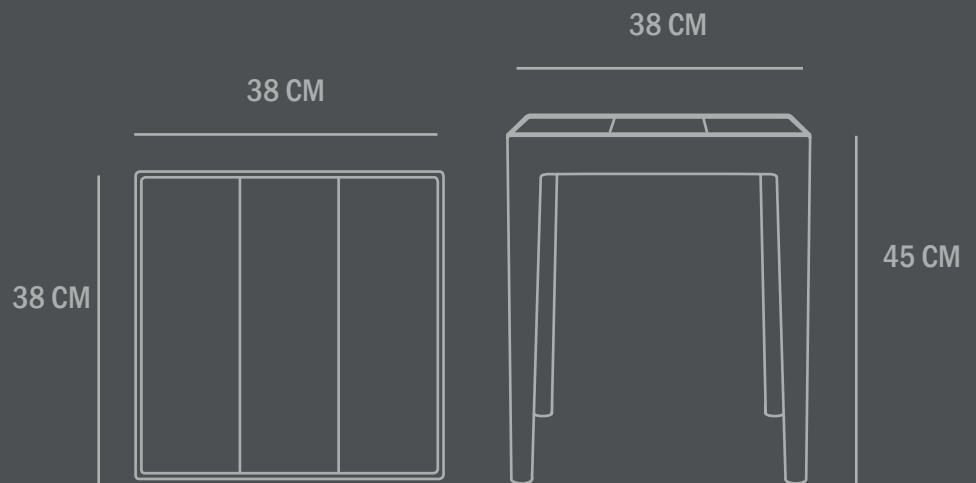
Colour: Striped
Material: Fiber Concrete / Marble

Care instructions:
Use a soft dry cloth to clean the product.
Do not use household cleaners.
Not frost-proof

Dimensions: L38 / L38 / H45 CM
Country of origin: CN

Product weight: 7,5 Kgs

Packaging:
Dimensions: L48 / W48 / H55 CM
Total weight incl. product: 9,5 Kgs
Number of parcels: 1
Material: Brown cardboard





TAIRU TABLE

Tairu, the Japanese word for tiles, is a modern take on mid-century tile tables.

The tables come in two versions one with tiles in calacatta and the other version made of three types of exquisite marble, Peach Wind, Calacatta Violet and Valencia Yellow, all tiles mounted into a table frame of fiber concrete. Every table is unique, due to the natural color and pattern variations within each marble stone.

Designed by Kristian Sofus Hansen & Tommy Hyldahl.

Product no: 223096

Type: Table

Designer / Year of design:
Kristian Sofus Hansen & Tommy Hyldahl, 2020

Colour: Calacatta
Material: Fiber Concrete / Marble

Care instructions:
Use a soft dry cloth to clean the product.
Do not use household cleaners.
Not frost-proof

Dimensions: L38 / L38 / H45 CM
Country of origin: CN

Product weight: 7,5 Kgs

Packaging:
Dimensions: L48 / W48 / H55 CM
Total weight incl. product: 9,5 Kgs
Number of parcels: 1
Material: Brown cardboard

