

# TONONE

technical specifications

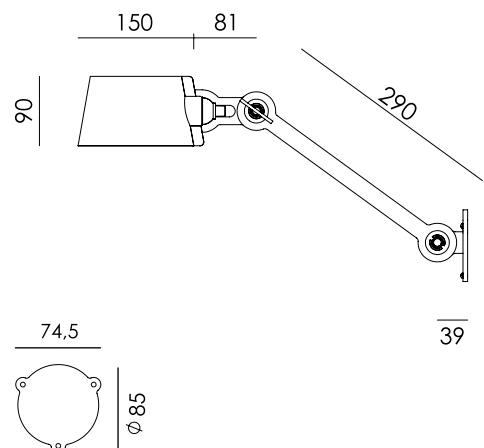
## BOLT wall side fit

Design by Anton de Groof, 2013



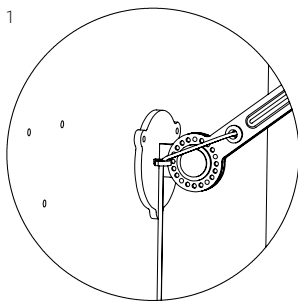
Starting point for the products of Tonone is the passion for traditional mechanics. The first product line that resulted from this fascination is the lamp series 'Bolt'. Key element in this industrial series is the joint construction that can be adjusted with a wingnut-shaped tool. Besides being a functional tool, this wingnut is integrated in the design of the lamp itself as a distinctive visual element. The Bolt collection is available in 29 different models and in 10 colors.

Type	Wall lamp
Environment	Indoor
Material	Steel & aluminum
Wingnut	Wingnut Solid Brass included
Cord length	Bolt with cord   2600 mm Bolt install   10 mm
Weight	1,0 kg
Voltage	220-240 V
Max Watt	60 Watt
Socket	E27
IP	20
Lightsource	Lightsource not included
Packaging	
Weight	1,8 kg
Length	67 cm
Width	20 cm
Height	20 cm



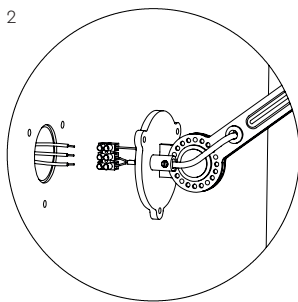
# TONONE

technical specifications



With cord

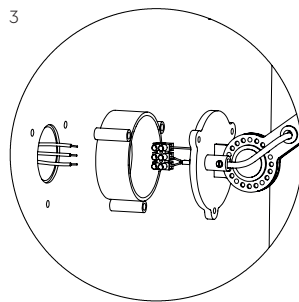
1. With powercord including switch and a plug.



Install

2. With terminal block to install directly on a junction box.

3. With optional wall ring.



		with cord	install
	smokey black	1081	1089
	flux green	1083	1091
	pure white	1085	1093
	midnight grey	1262	1265
	ash grey	1088	1096
	striking orange	1086	1094
	lightning white	1084	1092
	thunder blue	1087	1095
	daybreak rose	1470	1473
	sunny yellow	1428	1431