

TONONE

technical specifications

BOLT wall under fit

Design by Anton de Groof, 2013

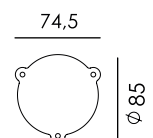
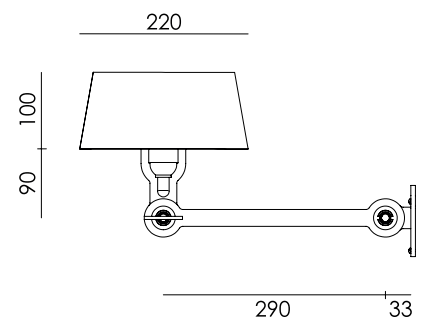


Starting point for the products of Tonone is the passion for traditional mechanics. The first product line that resulted from this fascination is the lamp series 'Bolt'. Key element in this industrial series is the joint construction that can be adjusted with a wingnut-shaped tool. Besides being a functional tool, this wingnut is integrated in the design of the lamp itself as a distinctive visual element. The Bolt collection is available in 29 different models and in 10 colors.

Type	Wall lamp
Environment	Indoor
Material	Steel & aluminum
Wingnut	Wingnut Solid Brass included
Cord length	Bolt with cord 2600 mm Bolt install 10 mm
Weight	1,2 kg
Voltage	220-240 V
Max Watt	60 Watt
Socket	E27
IP	20
Lightsource	Lightsource not included

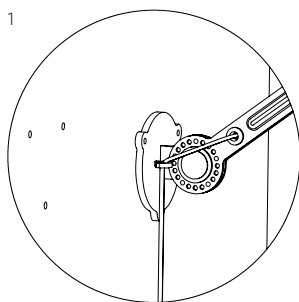
Packaging

Weight	3,4 kg
Length	75 cm
Width	47 cm
Height	25 cm



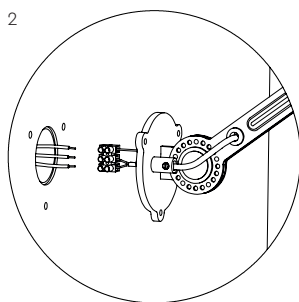
TONONE

technical specifications



With cord

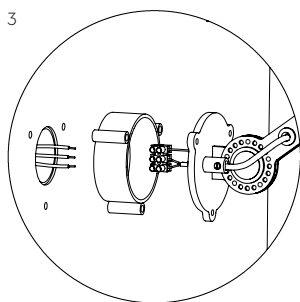
1. With powercord including switch and a plug.



Install

2. With terminal block to install directly on a junction box.

3. With optional wall ring.



		with cord	install
	smokey black	1105	1113
	flux green	1107	1114
	pure white	1109	1116
	midnight grey	1268	1269
	ash grey	1112	1120
	striking orange	1110	1117
	lightning white	1108	1115
	thunder blue	1111	1118
	daybreak rose	1476	1477
	sunny yellow	1434	1435