

# TONONE

technical specifications



## BOLT desk 2 arm

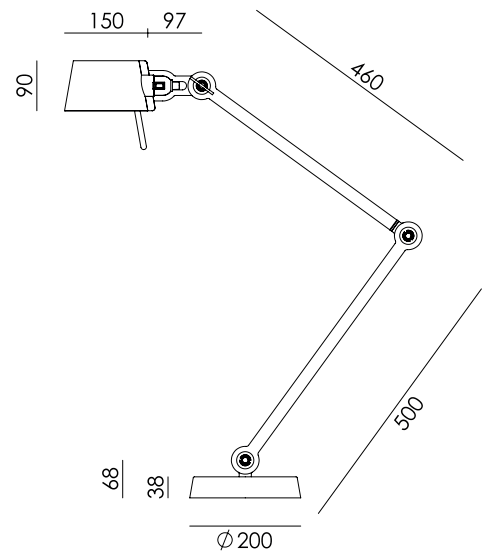
Design by Anton de Groof, 2013

Starting point for the products of Tonone is the passion for traditional mechanics. The first product line that resulted from this fascination is the lamp series 'Bolt'. Key element in this industrial series is the joint construction that can be adjusted with a wingnut-shaped tool. Besides being a functional tool, this wingnut is integrated in the design of the lamp itself as a distinctive visual element. The Bolt collection is available in 29 different models and in 10 colors.

Type	Desk lamp
Environment	Indoor
Material	Steel & aluminum
Wingnut	Wingnut Solid Brass included
Cord length	2900 mm
Weight	7,8 kg
Voltage	220-240 V
Max Watt	60 Watt
Socket	E27
IP	20
Lightsource	Lightsource not included

### Packaging

Weight	9,9 kg
Length	75 cm
Width	47 cm
Height	18 cm



# TONONE

technical specifications



	Article number
	smokey black 1001
	flux green 1003
	pure white 1005
	midnight grey 1252
	ash grey 1008
	striking orange 1006
	lightning white 1004
	thunder blue 1007
	daybreak rose 1457
	sunny yellow 1415