

TONONE

technical specifications

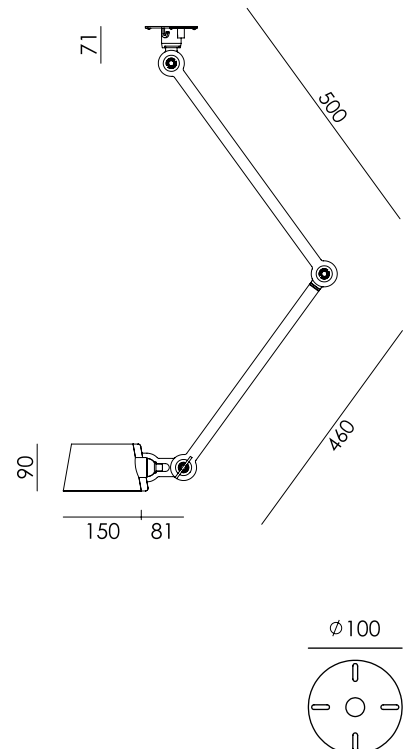
BOLT ceiling 2 arm side fit

Design by Anton de Groof, 2016



Starting point for the products of Tonone is the passion for traditional mechanics. The first product line that resulted from this fascination is the lamp series 'Bolt'. Key element in this industrial series is the joint construction that can be adjusted with a wingnut-shaped tool. Besides being a functional tool, this wingnut is integrated in the design of the lamp itself as a distinctive visual element. The Bolt collection is available in 29 different models and in 10 colors.

Type	Ceiling lamp
Environment	Indoor
Material	Steel & aluminum
Wingnut	Wingnut Solid Brass included
Cord length	Bolt with cord 2850 mm Bolt install 10 mm
Weight	1,9 kg
Voltage	220-240 V
Max Watt	60 Watt
Socket	E27
IP	20
Lightsource	Lightsource not included
Packaging	
Weight	3,9 kg
Length	75 cm
Width	47 cm
Height	18 cm



TONONE

technical specifications



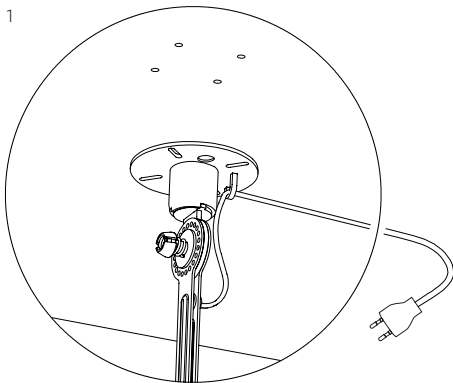
		with cord	install
	smokey black	1195	1320
	flux green	1176	1321
	pure white	1178	1323
	midnight grey	1275	1327
	ash grey	1181	1326
	striking orange	1179	1324
	lightning white	1177	1322
	thunder blue	1180	1325
	daybreak rose	1485	1487
	sunny yellow	1443	1445

TONONE

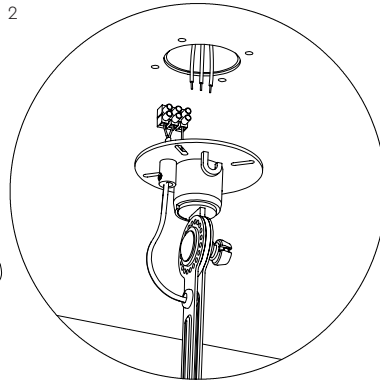
technical specifications



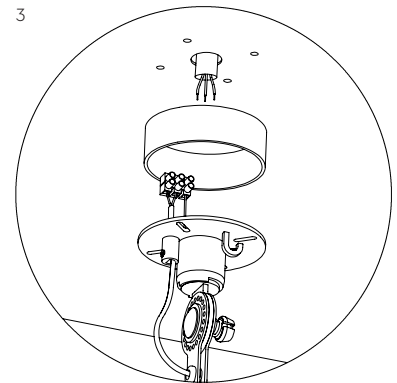
Installation



With cord
1. Powercord with plug.



Install
2. Terminal block to install directly on a junction box.



Install
3. Terminal block to install directly on a junction box with optional ceiling.