

TONONE

technical specifications

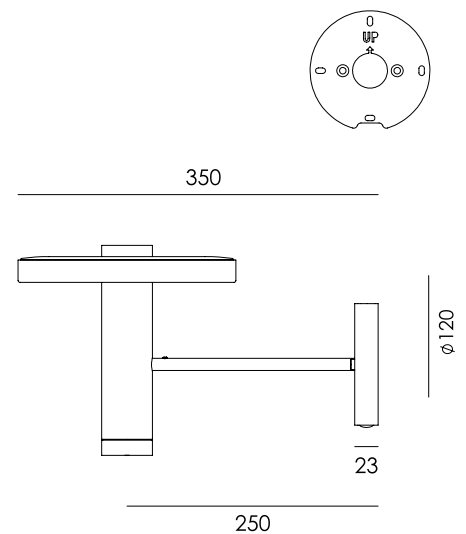
BEADS wall 35 uplight

Design by Anton de Groof, 2018



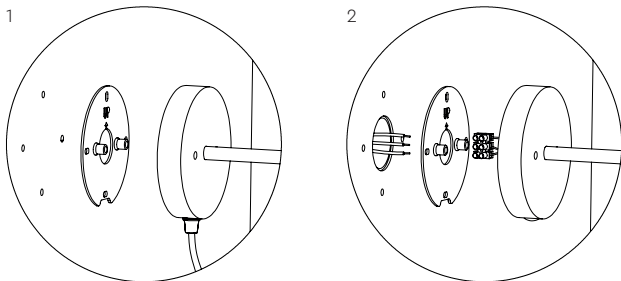
With the Beads collection Tonone introduces a series of lamps designed to fit in every environment. The modest look of the armature starts shining when it comes to functionality. With its 360 degrees dimmable Led range, the Beads is a solution for every situation. On top of that the Beads is available as a pendant, a ceiling-, wall-, floor- or table lamp. With the Beads Tonone illustrates a next step in innovating lighting concepts, but also sticks to the basic design signature of this brand.

Type	Wall lamp
Environment	Indoor
Material	Aluminum & steel
Cord length	Beads with cord 2600 mm Beads install 10 mm
Weight	1,3 kg
Voltage	220-240 V
Watt	13 Watt
IP	20
Lightsource	Integrated LED source
Lumen	1350
Kelvin	2700 K
CRI	90
Dimmable	Beads with cord secundair dimmable on fixture Beads install phase cut dimmable
Packaging	
Weight	2,3 kg
Length	43 cm
Width	27 cm
Height	34 cm



TONONE

technical specifications



Installation

1. With cord : including switch and a plug.
2. Install : With terminal block to install directly on a junction box.



smokey black

with cord

2080

install

2090

