



SCARLET  
SPLENDOUR

STRINGS ARMCHAIR



Strings Armchair is an elegant single seater which can be used on its own or with the Strings Sofa. It is upholstered in the plush green geometric fabric, Manifesto Futurista by Dedar Milano

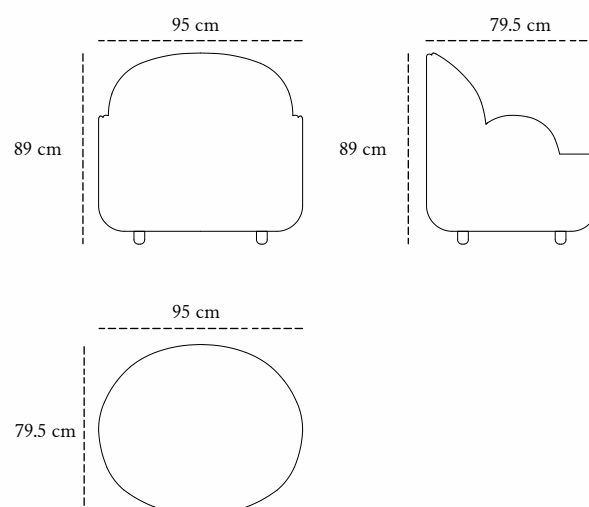
*recommended use* In a residence, hotel, commercial space

*collection* STRINGS

*designer* Nika Zupanc  
*description* Single Seater Sofa

*dimension* Width 95 cm  
Depth 79.5 cm  
Height 89 cm

*material* Foam, Wood, Velvet



CARE Vacuum clean when required.

Each piece in the Strings collection exalts the handmade, the painstakingly crafted, the authentic. A piece may have slight variations and tiny imperfections but these are the marks of an artisan, a testament to the individuality of each work of art. It is our belief that these variations infuse our objets d'art with desire and we assert our right to make necessary qualitative changes.