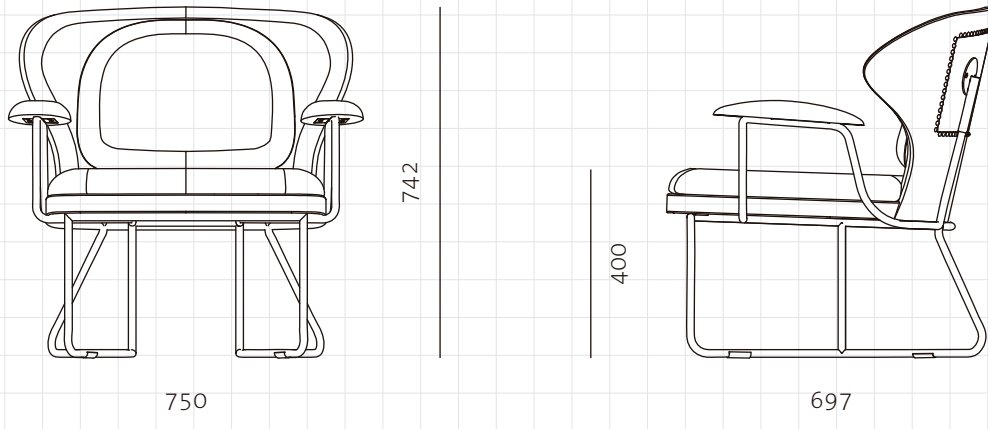


Chillax Lounge Chair



CODE	CH-S131		
DIMENSIONS	W750 x D697 x H742mm		
	Seating height: 400mm		
NET WEIGHT	21 kg		
ENVIRONMENT	Indoor		
MATERIALS	Powder coated steel frame, Brass plated stainless steel, Solid wood armrest, Upholstery		
	*Please refer to website or contact your local representative for complete material swatches.		
UPHOLSTERY	3M/50SF		
SHIPPING	Package	Assembled	
	Package Qty	1 pcs/box	
	Packaging	Measurement (mm)	Volume (cbm)
	Carton	W790 x D740 x H780	0.46
	Crate	W830 x D780 x H890	0.58
	Wood	W830 x D780 x H890	0.58
		Gross Weight (kg)	
			27
			41
			52