

# 101

C O P E N H A G E N



## SPHERE VASE SQUARE BIG

The Sphere collection has become synonymous with the visual language and the signature series of 101 Copenhagen.

The series is a family of unique silhouettes and textures gathering in a decorative and sculptural manner. Elegantly sculpted, each vase is finished with an intricate ornate detailing.

Inspired by ancient Chinese vases, a palette of faded earth tones is characteristic of the Sphere collection which was developed in close collaboration with highly skilled ceramists, ensuring the precise contrast between the smooth shapes and sharp edges.

As it is a hand glazed natural product, the colours may vary slightly and while it is not 100% waterproof, a bag for fresh flowers is included.

Designed by Kristian Sofus Hansen & Tommy Hyldahl.

Product no: 212008

Type: Vase - Indoor

Designer / Year of design:  
Kristian Sofus Hansen & Tommy Hyldahl, 2017

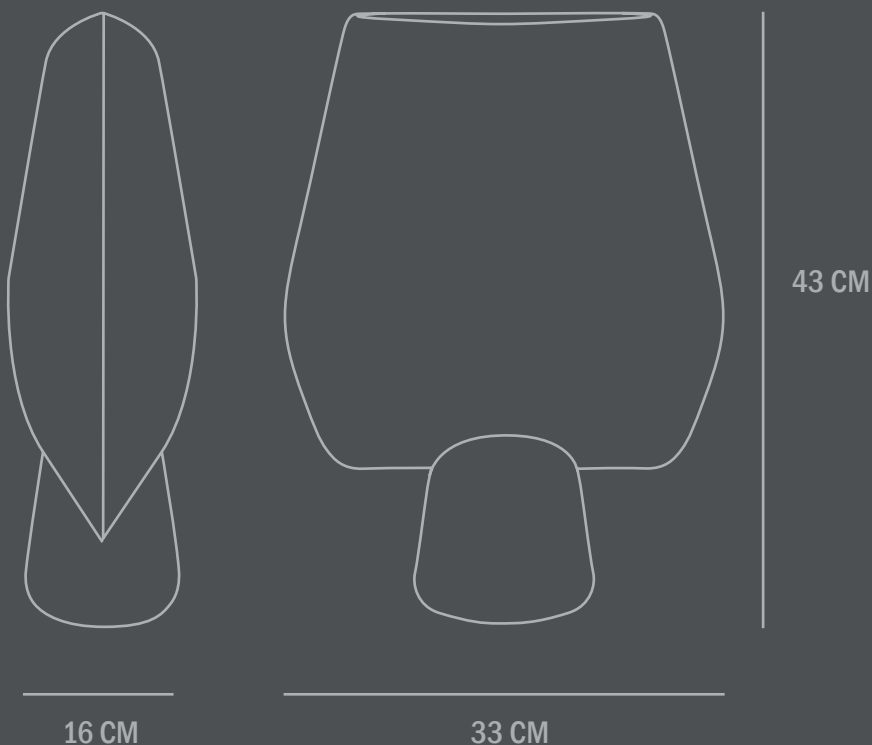
Colour: Terracotta  
Material: Ceramic

Care instructions:  
Use a soft dry cloth to clean the product.  
Do not use household cleaners.  
Not waterproof

Dimensions: L33 / W16 / H43 CM  
Country of origin: CN

Product weight: 4,00 Kgs

Packaging:  
Dimensions: L41 / W22 / H53 CM  
Total weight incl. product: 5,00 Kgs  
Number of parcels: 1  
Material: Brown cardboard



# 101

C O P E N H A G E N

## SPHERE VASE SQUARE BIG

The Sphere collection has become synonymous with the visual language and the signature series of 101 Copenhagen.

The series is a family of unique silhouettes and textures gathering in a decorative and sculptural manner. Elegantly sculpted, each vase is finished with an intricate ornate detailing.

Inspired by ancient Chinese vases, a palette of faded earth tones is characteristic of the Sphere collection which was developed in close collaboration with highly skilled ceramists, ensuring the precise contrast between the smooth shapes and sharp edges.

As it is a hand glazed natural product, the colours may vary slightly and while it is not 100% waterproof, a bag for fresh flowers is included.

Designed by Kristian Sofus Hansen & Tommy Hyldahl.



Product no: 111028

Type: Vase - Indoor

Designer / Year of design:  
Kristian Sofus Hansen & Tommy Hyldahl, 2017

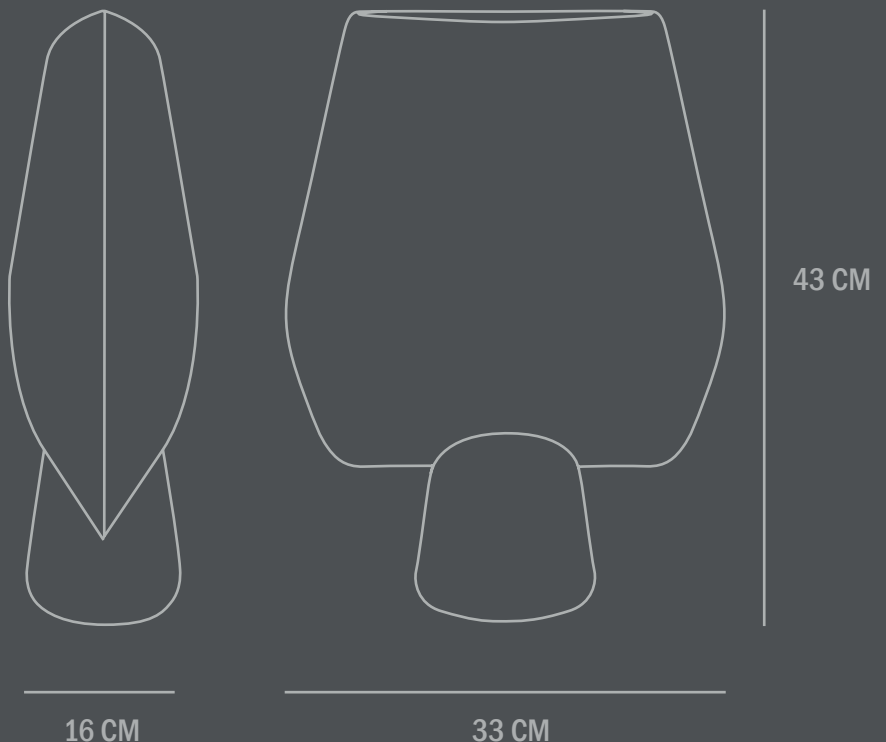
Colour: Sand  
Material: Ceramic

Care instructions:  
Use a soft dry cloth to clean the product.  
Do not use household cleaners.  
Not waterproof

Dimensions: L33 / W16 / H43 CM  
Country of origin: CN

Product weight: 4,00 Kgs

Packaging:  
Dimensions: L41 / W22 / H53 CM  
Total weight incl. product: 5,00 Kgs  
Number of parcels: 1  
Material: Brown cardboard



# 101

C O P E N H A G E N



## SPHERE VASE SQUARE BIG

The Sphere collection has become synonymous with the visual language and the signature series of 101 Copenhagen.

The series is a family of unique silhouettes and textures gathering in a decorative and sculptural manner. Elegantly sculpted, each vase is finished with an intricate ornate detailing.

Inspired by ancient Chinese vases, a palette of faded earth tones is characteristic of the Sphere collection which was developed in close collaboration with highly skilled ceramists, ensuring the precise contrast between the smooth shapes and sharp edges.

As it is a hand glazed natural product, the colours may vary slightly and while it is not 100% waterproof, a bag for fresh flowers is included.

Designed by Kristian Sofus Hansen & Tommy Hyldahl.

Product no: 211221

Type: Vase - Indoor

Designer / Year of design:  
Kristian Sofus Hansen & Tommy Hyldahl, 2017

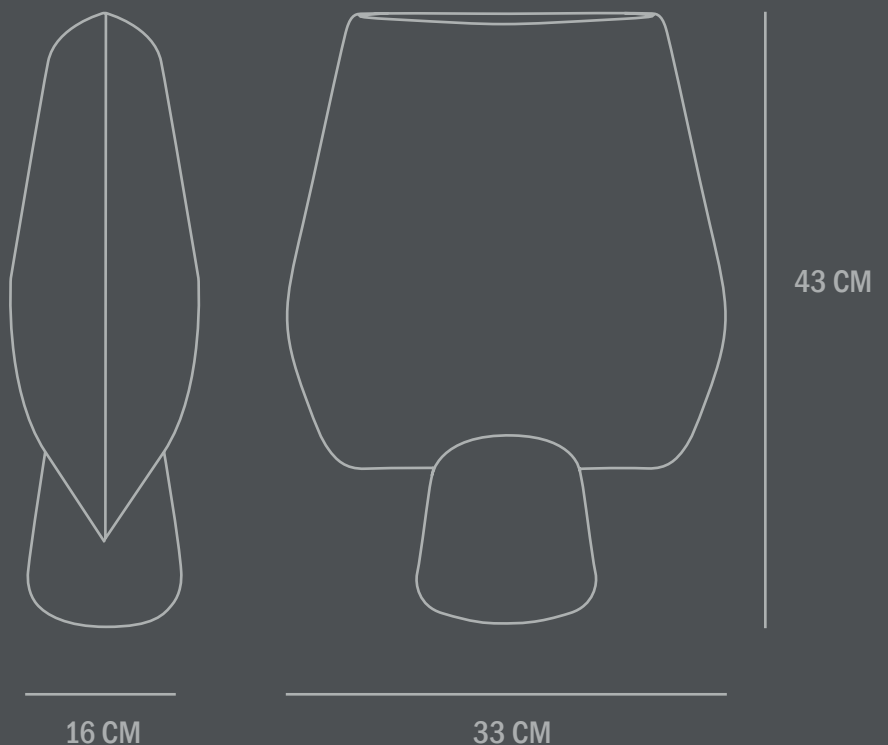
Colour: Dark grey  
Material: Ceramic

Care instructions:  
Use a soft dry cloth to clean the product.  
Do not use household cleaners.  
Not waterproof

Dimensions: L33 / W16 / H43 CM  
Country of origin: CN

Product weight: 4,00 Kgs

Packaging:  
Dimensions: L41 / W22 / H53 CM  
Total weight incl. product: 5,00 Kgs  
Number of parcels: 1  
Material: Brown cardboard



# 101

C O P E N H A G E N



## SPHERE VASE SQUARE BIG

The Sphere collection has become synonymous with the visual language and the signature series of 101 Copenhagen.

The series is a family of unique silhouettes and textures gathering in a decorative and sculptural manner. Elegantly sculpted, each vase is finished with an intricate ornate detailing.

Inspired by ancient Chinese vases, a palette of faded earth tones is characteristic of the Sphere collection which was developed in close collaboration with highly skilled ceramists, ensuring the precise contrast between the smooth shapes and sharp edges.

As it is a hand glazed natural product, the colours may vary slightly and while it is not 100% waterproof, a bag for fresh flowers is included.

Designed by Kristian Sofus Hansen & Tommy Hyldahl.

Product no: 111183

Type: Vase - Indoor

Designer / Year of design:  
Kristian Sofus Hansen & Tommy Hyldahl, 2017

Colour: Coffee  
Material: Ceramic

Care instructions:  
Use a soft dry cloth to clean the product.  
Do not use household cleaners.  
Not waterproof

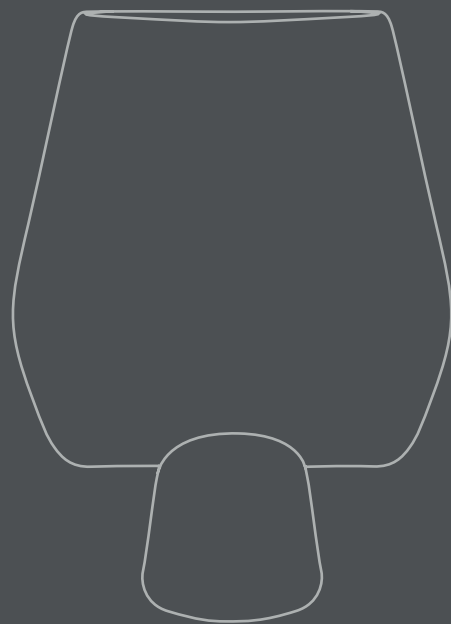
Dimensions: L33 / W16 / H43 CM  
Country of origin: CN

Product weight: 4,00 Kgs

Packaging:  
Dimensions: L41 / W22 / H53 CM  
Total weight incl. product: 5,00 Kgs  
Number of parcels: 1  
Material: Brown cardboard



16 CM



33 CM

43 CM

# 101

C O P E N H A G E N



## SPHERE VASE SQUARE BIG

The Sphere collection has become synonymous with the visual language and the signature series of 101 Copenhagen.

The series is a family of unique silhouettes and textures gathering in a decorative and sculptural manner. Elegantly sculpted, each vase is finished with an intricate ornate detailing.

Inspired by ancient Chinese vases, a palette of faded earth tones is characteristic of the Sphere collection which was developed in close collaboration with highly skilled ceramists, ensuring the precise contrast between the smooth shapes and sharp edges.

As it is a hand glazed natural product, the colours may vary slightly and while it is not 100% waterproof, a bag for fresh flowers is included.

Designed by Kristian Sofus Hansen & Tommy Hyldahl.

Product no: 202001

Type: Vase - Indoor

Designer / Year of design:  
Kristian Sofus Hansen & Tommy Hyldahl, 2017

Colour: Bubble White  
Material: Ceramic

Care instructions:  
Use a soft dry cloth to clean the product.  
Do not use household cleaners.  
Not waterproof

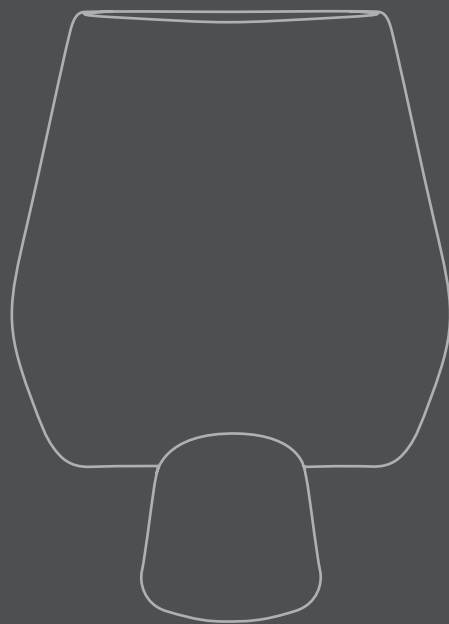
Dimensions: L33 / W16 / H43 CM  
Country of origin: CN

Product weight: 4,00 Kgs

Packaging:  
Dimensions: L41 / W22 / H53 CM  
Total weight incl. product: 5,00 Kgs  
Number of parcels: 1  
Material: Brown cardboard



16 CM



33 CM

43 CM

# 101

C O P E N H A G E N

## SPHERE VASE SQUARE BIG

The Sphere collection has become synonymous with the visual language and the signature series of 101 Copenhagen.

The series is a family of unique silhouettes and textures gathering in a decorative and sculptural manner. Elegantly sculpted, each vase is finished with an intricate ornate detailing.

Inspired by ancient Chinese vases, a palette of faded earth tones is characteristic of the Sphere collection which was developed in close collaboration with highly skilled ceramists, ensuring the precise contrast between the smooth shapes and sharp edges.

As it is a hand glazed natural product, the colours may vary slightly and while it is not 100% waterproof, a bag for fresh flowers is included.

Designed by Kristian Sofus Hansen & Tommy Hyldahl.



Product no: 213021

Type: Vase - Indoor

Designer / Year of design:  
Kristian Sofus Hansen & Tommy Hyldahl, 2017

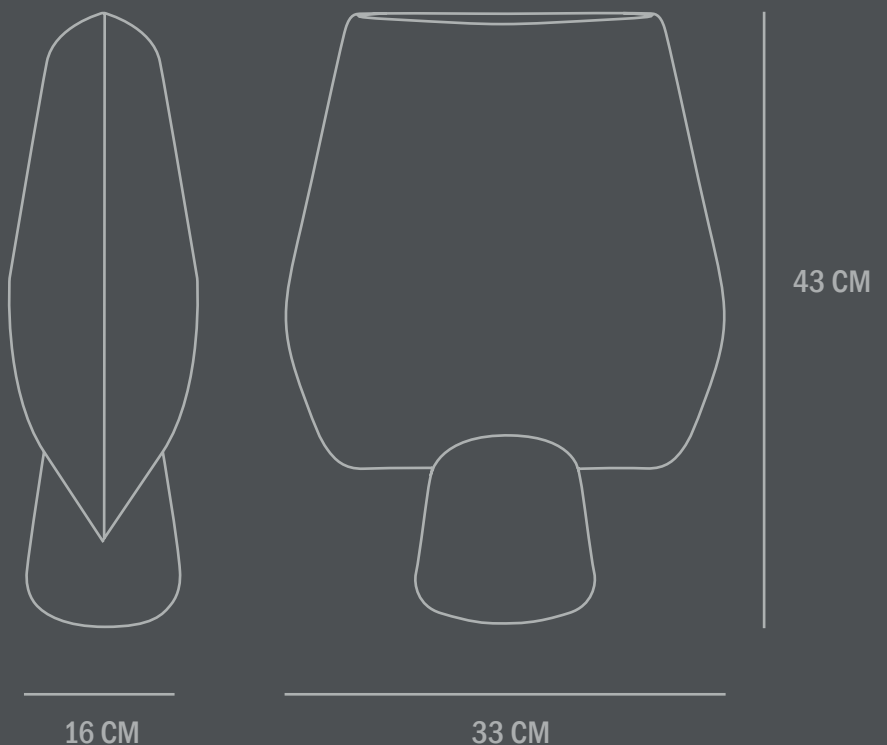
Colour: Black  
Material: Ceramic

Care instructions:  
Use a soft dry cloth to clean the product.  
Do not use household cleaners.  
Not waterproof

Dimensions: L33 / W16 / H43 CM  
Country of origin: CN

Product weight: 4,00 Kgs

Packaging:  
Dimensions: L41 / W22 / H53 CM  
Total weight incl. product: 5,00 Kgs  
Number of parcels: 1  
Material: Brown cardboard



# 101

C O P E N H A G E N



## SPHERE VASE SQUARE BIG

The Sphere collection has become synonymous with the visual language and the signature series of 101 Copenhagen.

The series is a family of unique silhouettes and textures gathering in a decorative and sculptural manner. Elegantly sculpted, each vase is finished with an intricate ornate detailing.

Inspired by ancient Chinese vases, a palette of faded earth tones is characteristic of the Sphere collection which was developed in close collaboration with highly skilled ceramists, ensuring the precise contrast between the smooth shapes and sharp edges.

As it is a hand glazed natural product, the colours may vary slightly and while it is not 100% waterproof, a bag for fresh flowers is included.

Designed by Kristian Sofus Hansen & Tommy Hyldahl.

Product no: 221011

Type: Vase - Indoor

Designer / Year of design:  
Kristian Sofus Hansen & Tommy Hyldahl, 2017

Colour: Bone White  
Material: Ceramic

Care instructions:  
Use a soft dry cloth to clean the product.  
Do not use household cleaners.  
Not waterproof

Dimensions: L33 / W16 / H43 CM  
Country of origin: CN

Product weight: 4,00 Kgs

Packaging:  
Dimensions: L41 / W22 / H53 CM  
Total weight incl. product: 5,00 Kgs  
Number of parcels: 1  
Material: Brown cardboard

